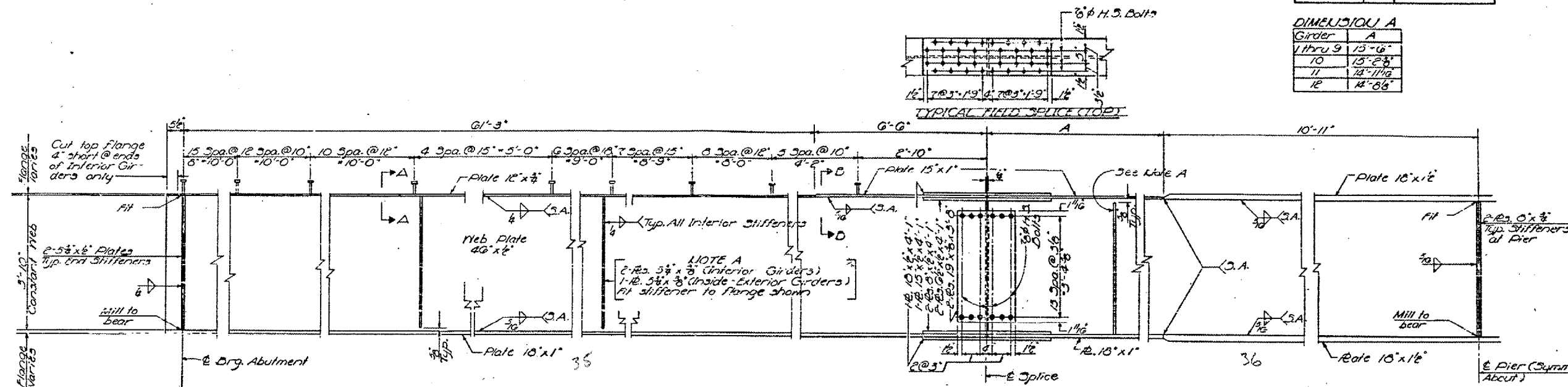


PROJECT NO.	84-4	CITY	Sangamon	DATE	25
DATE	1/15	DRAWN		NO. SHEETS	19
SHEET NO. 13					

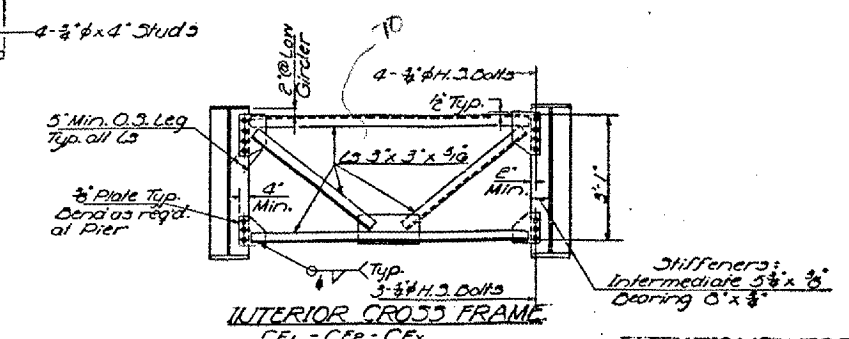
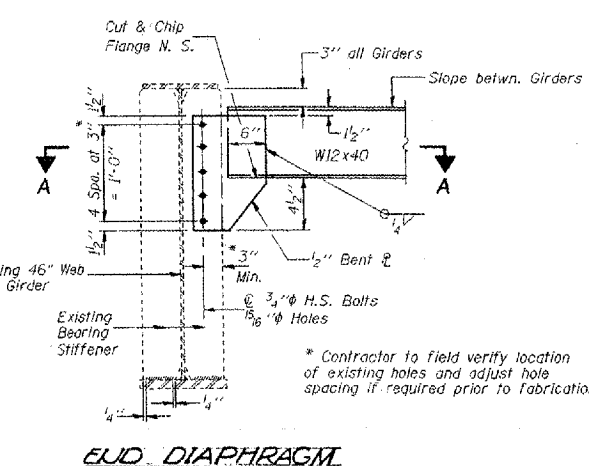
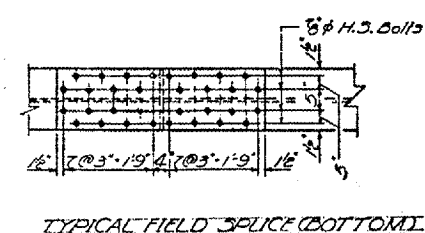
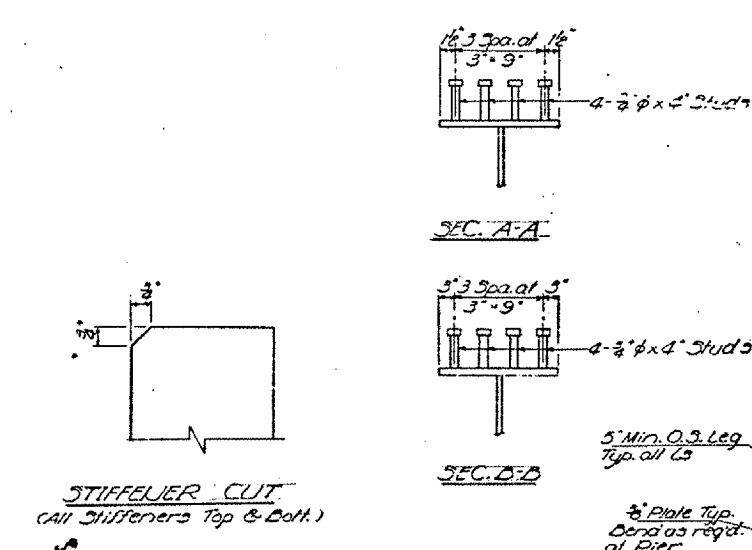
DIMENSION A

Girder	A
1 thru 9	13'-6"
10	15'-2 1/2"
11	18'-11 1/2"
12	14'-6"



Note: S.A. indicates Submerged Arc Welding - See Special Provisions.

ELEVATION TYPICAL GIRDER



ELEVATIONS TOP OF WEB

DESIGNED James M. Ponce
CHECKED James M. Ponce
DRAWN Jacobs
CHECKED J.W.
EXAMINED CARL Hummer
PASSED J.E. Burman
APPROVED V.E. Hoff

JAN. 15 1968

Girder	1	2	3	4	5	6	7	8	9	10	11	12
Location												
E Drg. E Abut.	G08.744	G08.878	G09.008	G09.132	G09.149	G09.023	G08.897	G08.763	G08.613	G08.210	G07.993	G07.603
E Splice 1	G08.856	G08.990	G09.120	G09.244	G09.249	G09.125	G08.997	G08.863	G08.713	G08.430	G08.173	G07.950
E Pier	G08.864	G08.998	G09.128	G09.252	G09.253	G09.129	G08.001	G08.867	G08.717	G08.403	G08.258	G08.041
E Splice 2	G08.873	G09.007	G09.137	G09.261	G09.257	G09.133	G08.005	G08.871	G08.721	G08.328	G08.303	G08.126
E Drg. W. Abut.	G08.607	G08.941	G09.071	G09.195	G09.179	G09.053	G08.927	G08.793	G08.643	G08.303	G08.878	G08.823

CONTRACT 72A70
SN 084-0116
EXISTING BRIDGE PLANS
FOR INFORMATION ONLY
(NOT TO SCALE)