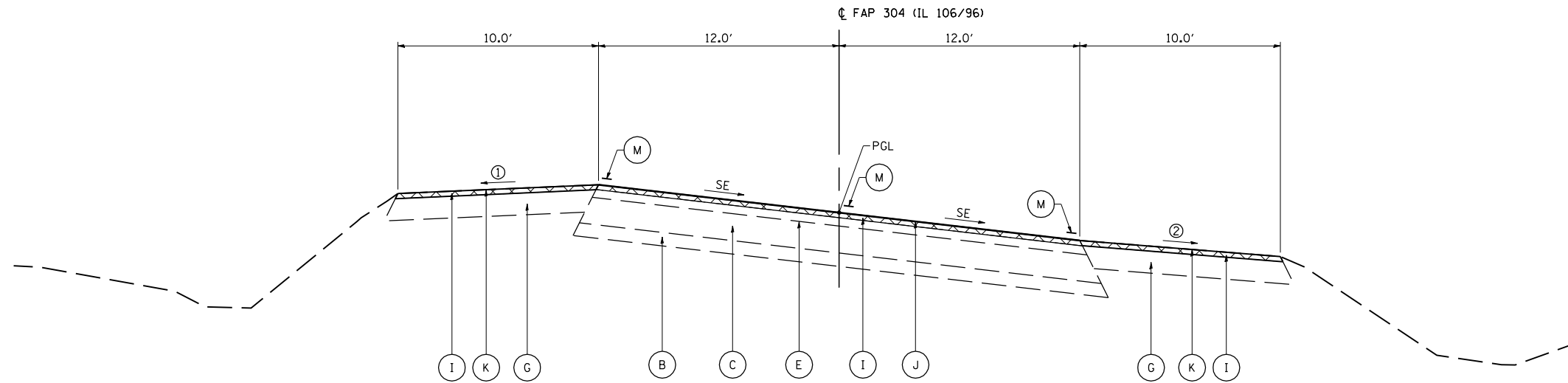


F.A.P. RTE.	SECTION	COUNTY	TOTAL SHEETS	SHEET NO.
304	*	PIKE	16	7
STA.		TO STA.		
FED. ROAD DIST. NO.	ILLINOIS	FED. AID PROJECT		
• 101(RS-5); 14(RS-6)				



NOTE:

PER THE MIXTURE REQUIREMENTS STATED IN THE GENERAL NOTES; THE HOT-MIX ASPHALT SURFACE COURSE WILL ALSO EXTEND TO COVER THE PROPOSED SHOULDERS LESS THAN 3.0' IN WIDTH. SHOULDERS LESS THAN 3.0' IN WIDTH WILL BE PAID FOR AS HOT-MIX ASPHALT CONCRETE SURFACE COURSE. SHOULDERS GREATER THAN 3.0' IN WIDTH WILL BE PAID FOR AS HOT-MIX ASPHALT SHOULDERS.

TYPICAL SECTION #5 - PART "A"

STA. 549+00.00 - 554+37.87 - FULL SE = 0.058 FT/FT
 STA. 554+37.87 - 557+21.06 - RESURFACING OMISSION (BRIDGE)
 STA. 557+21.06 - 558+50.00 - FULL SE = 0.058 FT/FT

LEGEND

- (A) EXIST. PCC PAVEMENT (9-6-9)
- (B) EXIST. SUB-BASE GRANULAR MATERIAL (4")
- (C) EXIST. BITUMINOUS BASE COURSE (8")
- (D) EXIST. BITUMINOUS BASE COURSE WIDENING (9")
- (E) EXIST. BITUMINOUS SURFACE COURSE (4"±)
- (F) EXIST. BITUMINOUS SHOULDER (6")
- (G) EXIST. BITUMINOUS SHOULDER (8")
- (H) EXIST. CONCRETE GUTTER
- (I) PR. BITUMINOUS SURFACE REMOVAL, VARIABLE DEPTH (1½" AVERAGE)
- (J) PR. BITUMINOUS CONCRETE SURFACE COURSE (1½")
- (K) PR. BITUMINOUS SHOULDERS (1½")
- (L) PR. AGGREGATE SHOULDERS, TYPE B
- (M) PR. PAVEMENT MARKING, LINE-5"

REVISIONS	
NAME	DATE

ILLINOIS DEPARTMENT OF TRANSPORTATION
TYPICAL SECTIONS
 FAP RTE. 304 (IL 106/96)
 SEC. 101(RS-5); 14(RS-6)
 PIKE COUNTY

SCALE: VERT.
 HORIZ.
 DATE 10-27-06

DRAWN BY TMJ
 CHECKED BY JCN

PLOT DATE = 12/11/2006
 FILE NAME = c:\p\projects\4656987\stypical.dgn
 PLOT SCALE = 2:1, 7/8" / IN.
 USER NAME = laughlin-1