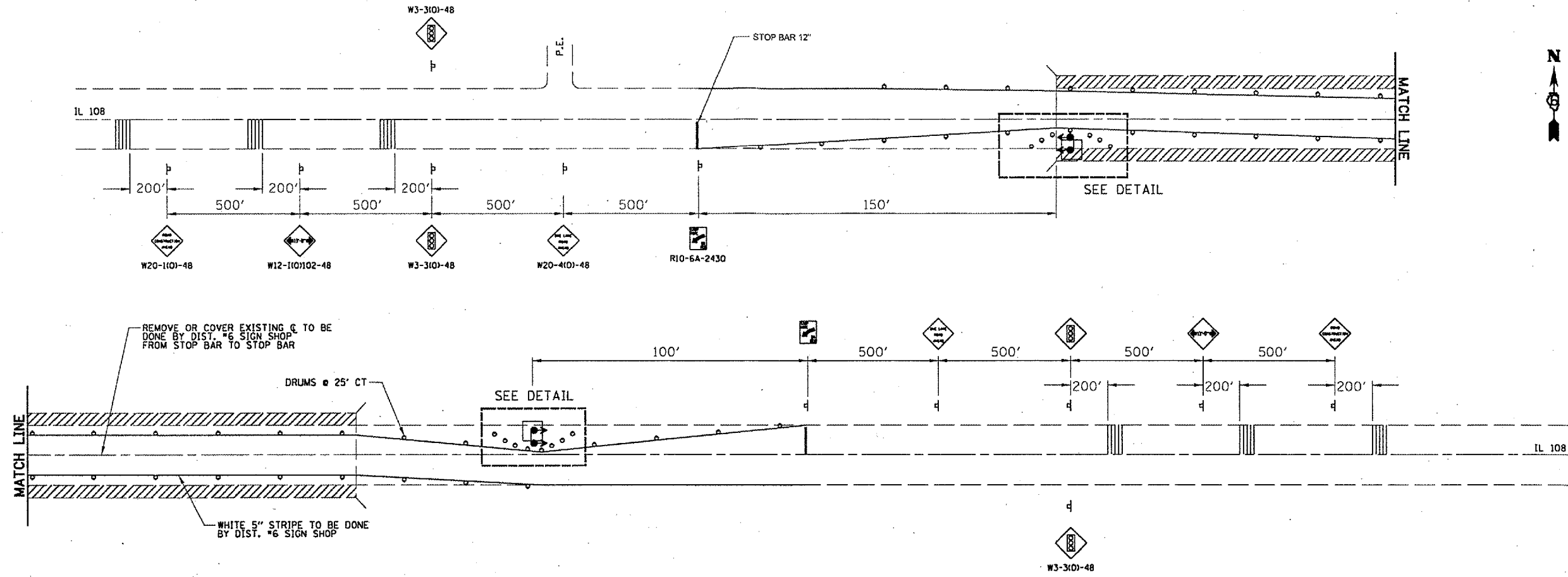
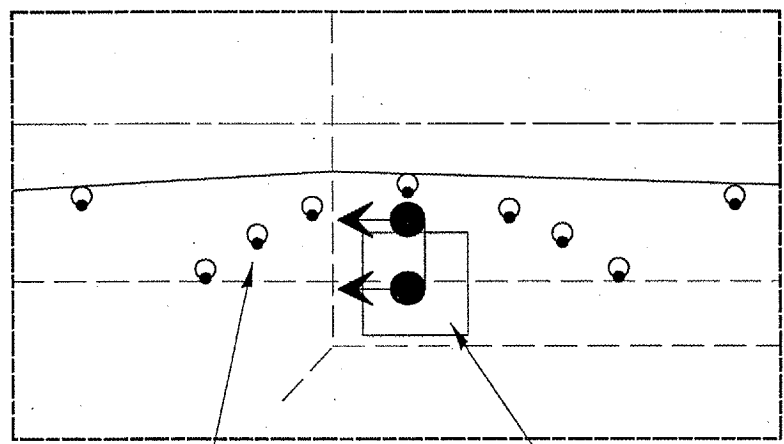


F.A.P. RTE.	SECTION	COUNTY	TOTAL SHEETS	SHEET NO.
761	107BR-5	MACOUPIN	6	4
STA. ...+... TO STA. ...+...				
FED. ROAD DIST. NO. ILLINOIS FED. AID PROJECT				

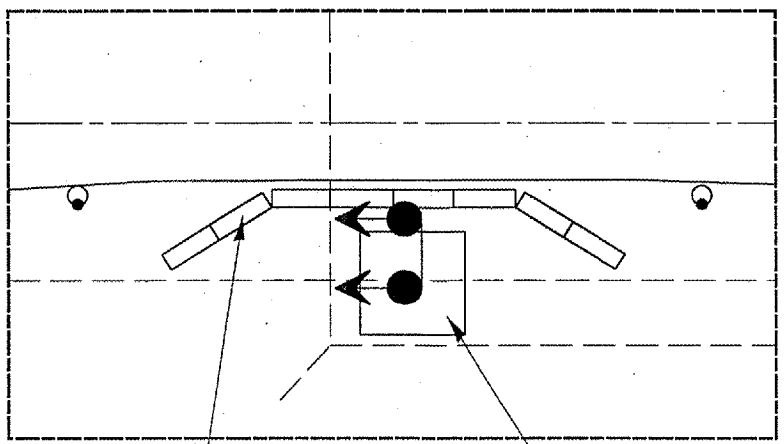


TYPICAL SIGNAL DETAIL (EXISTING)



TYPE 2 BARRICADES
TEMPORARY TRAFFIC SIGNALS

TYPICAL SIGNAL DETAIL (PROPOSED)



WATER FILLED BARRIER (52' PER SETUP)
TEMPORARY TRAFFIC SIGNALS

- SYMBOLS**
- WORK AREA
 - SIGN
 - DRUM WITH STEADY BURNING LIGHT
 - TRAFFIC SIGNAL
 - TEMPORARY RUMBLE STRIP

GENERAL NOTES

THIS TRAFFIC CONTROL SETUP WILL BE PLACED BY IDOT BEFORE EXECUTION OF THIS CONTRACT. THIS PLAN ALSO DETAILS WHERE THE WATER FILLED BARRIER SHALL BE PLACED BY THE CONTRACTOR. ALL NORMAL MAINTENANCE OF THE TRAFFIC CONTROL DETAILED ON THIS SHEET SHALL BE THE RESPONSIBILITY OF IDOT. THE CONTRACTOR WILL BE RESPONSIBLE FOR RE-SETTING, REPAIRING, OR REPLACING ANY TRAFFIC CONTROL ITEMS MOVED, OR DAMAGED FOR THE DURATION OF THIS CONTRACT.

PLACEMENT OF THE BARRIER WALL SHALL BE APPROVED BY THE ENGINEER BEFORE THE CONTRACTOR FILLS IT WITH WATER.

TRAFFIC CONTROL STANDARD 701316 SPECIAL
IL. ROUTE 108 OVER HODGES CREEK
MACOUPIN COUNTY