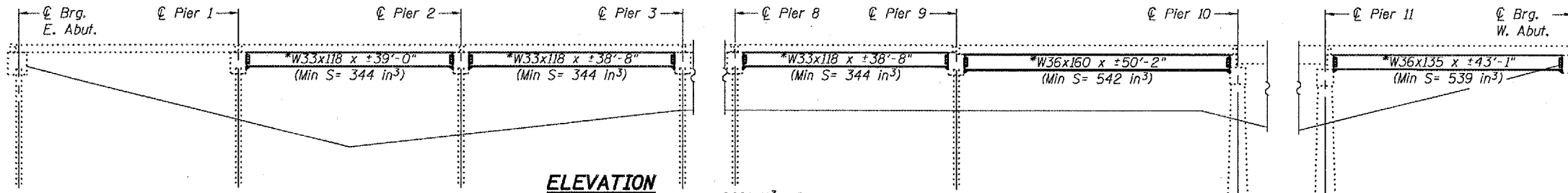


STATE OF ILLINOIS
DEPARTMENT OF TRANSPORTATION

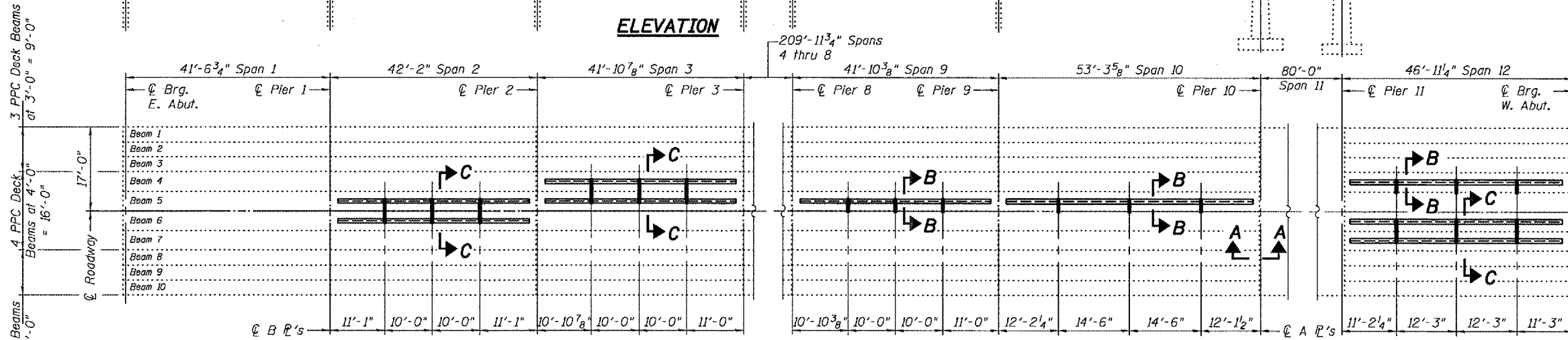
*Other sections meeting the minimum section modulus shown may be acceptable subject to approval by the Bureau of Bridges and Structures

ROUTE NO.	SECTION	COUNTY	SHEET NO.	SHEET NO. 1
		Macoupin	6	1 SHEETS
FED. PROJ. DIST. NO. 7	ILLINOIS	FED. AID PROJECT		

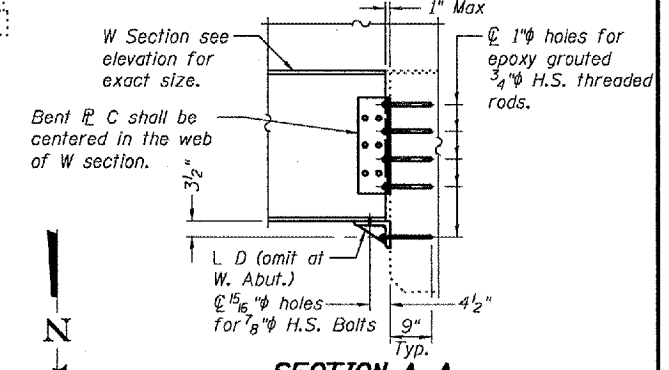
Contract Number: --- 72AB5



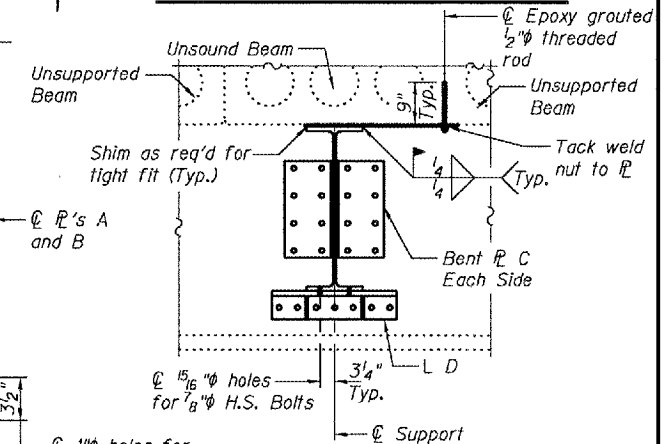
ELEVATION



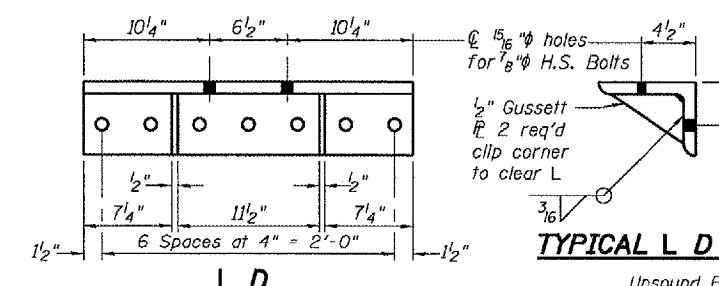
PLAN



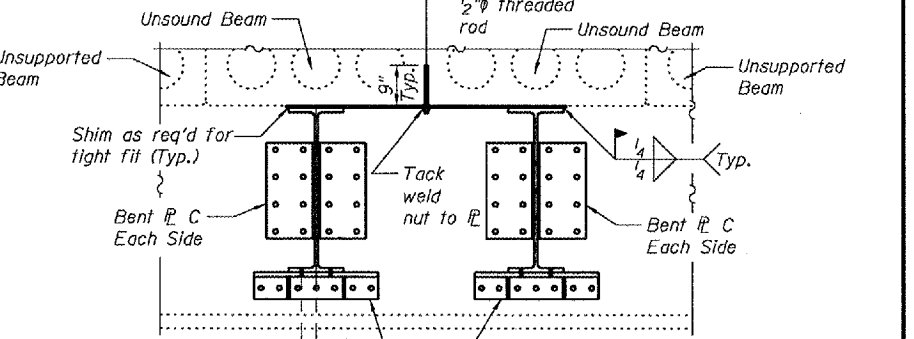
SECTION A-A
TYPICAL CONNECTION SECTION



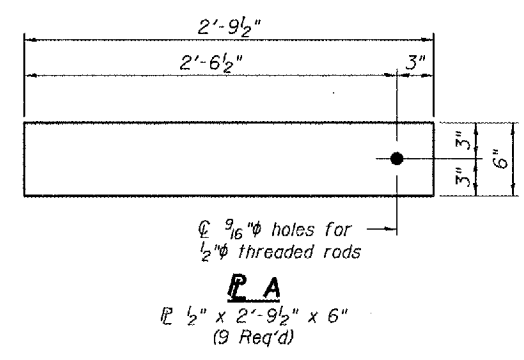
SECTION B-B



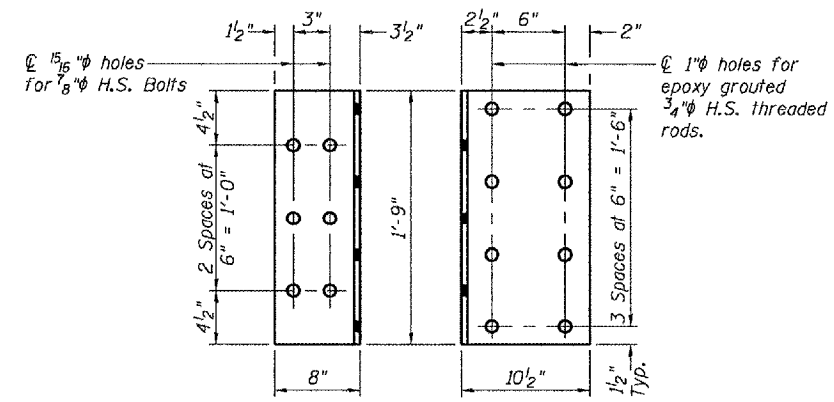
TYPICAL L D SECTION



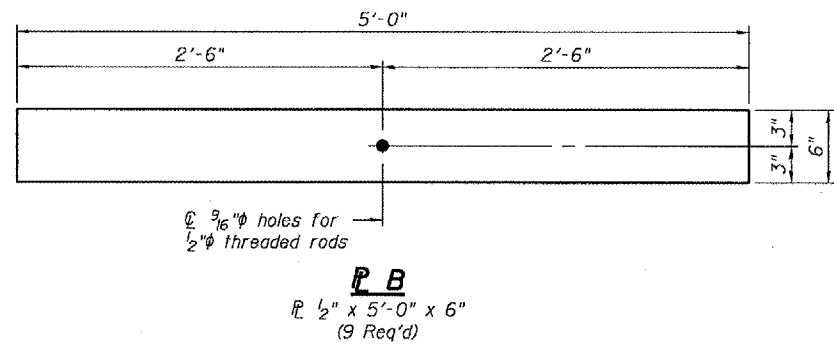
SECTION C-C



BENT P A



BENT P C



BENT P B

GENERAL NOTES

All structural steel shall conform to AASHTO Classification M-270 Gr. 36, unless otherwise noted.
Plan dimensions and details relative to existing plans are subject to routine variations. The Contractor shall field verify existing dimensions and details affecting new construction and make necessary approved adjustments prior to construction or ordering of materials. Such variations shall not be cause for additional compensation for a change in scope of the work, however, the Contractor will be paid for the quantity actually furnished based upon the unit price bid for the work.
See Section 584 of the Standard Specifications for Epoxy Grouting of Threaded Rods.
The cost of epoxy grouting threaded rods shall be included with Furnishing and Erecting Structural Steel.
The cost of excavation required to attach support beams to abutment face shall be included with Furnishing and Erecting Structural Steel.



TOTAL BILL OF MATERIAL

ITEM	UNIT	QUANTITY
Furnishing and Erecting Structural Steel	Pound	53,540

PLAN AND ELEVATION
F.A.P. RT. 761 (IL 108)
MACOUPIN COUNTY
SN 059-0034

DESIGNED	January 12, 2007
CHECKED	
DRAWN	
CHECKED	

Expires: November 30, 2008