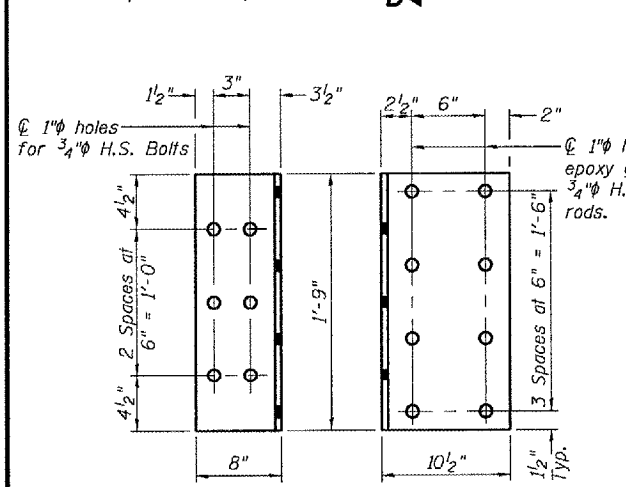
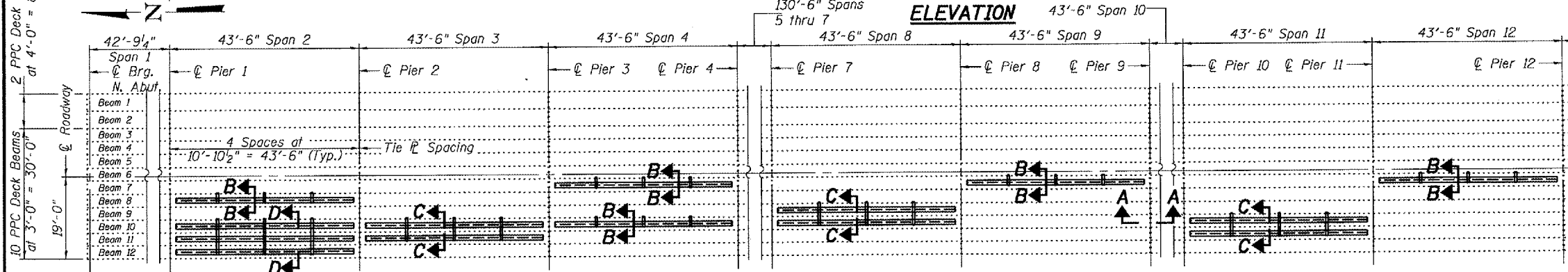
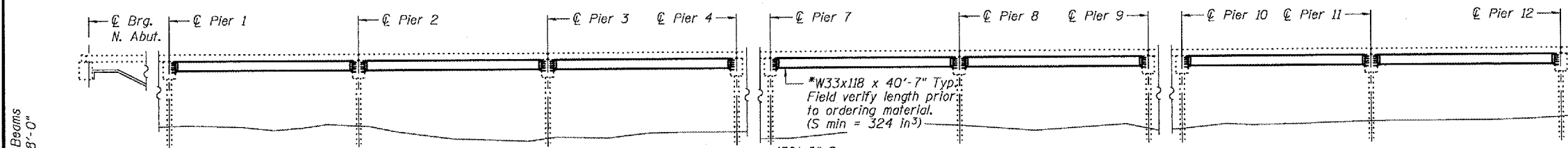


STATE OF ILLINOIS
DEPARTMENT OF TRANSPORTATION

*Other sections meeting the section modulus requirements shown may be allowed subject to approval by the Bureau of Bridges and Structures.

| ROUTE NO. | SECTION | COUNTY | TOTAL SHEETS | SHEET | SHEET NO. 1 |
|-----------|---------|--------|--------------|-------|-------------|
| | | Cass | 5 | 5 | 1 SHEETS |



BENT P D
P 1/2" x 1'-6 1/2" x 1'-9"
(56 Req'd)

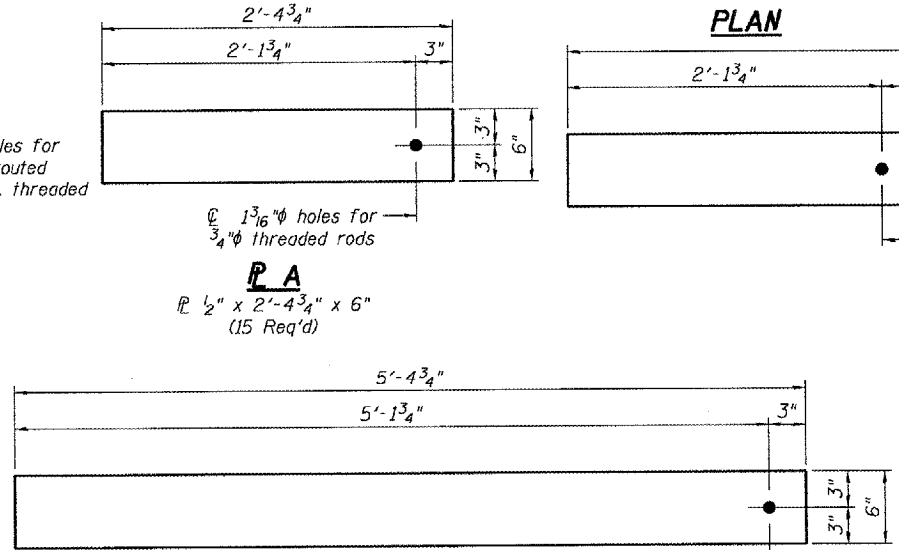


PLATE A
P 1/2" x 2'-4 3/4" x 6"
(15 Req'd)

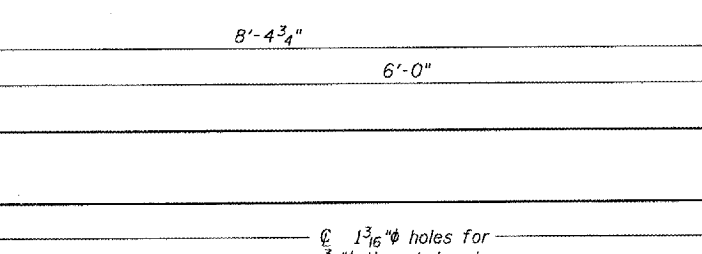


PLATE C
P 1/2" x 8'-4 3/4" x 6"
(3 Req'd)

TOTAL BILL OF MATERIAL

| ITEM | UNIT | QUANTITY |
|--|-------|----------|
| Furnishing and Erecting Structural Steel | Pound | 75,420 |

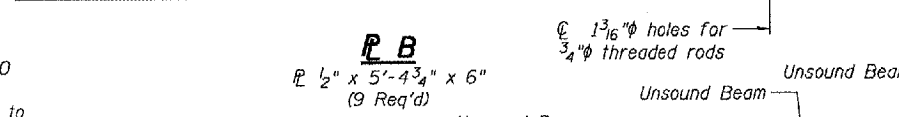
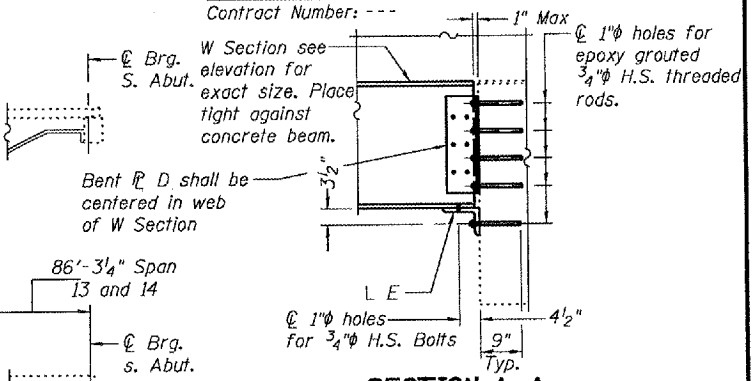
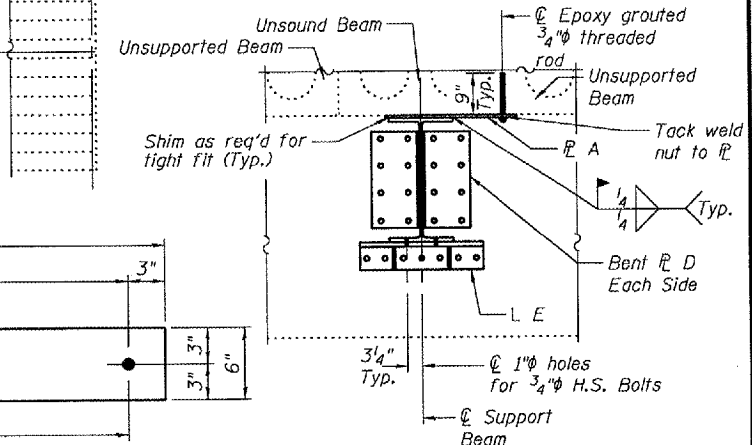


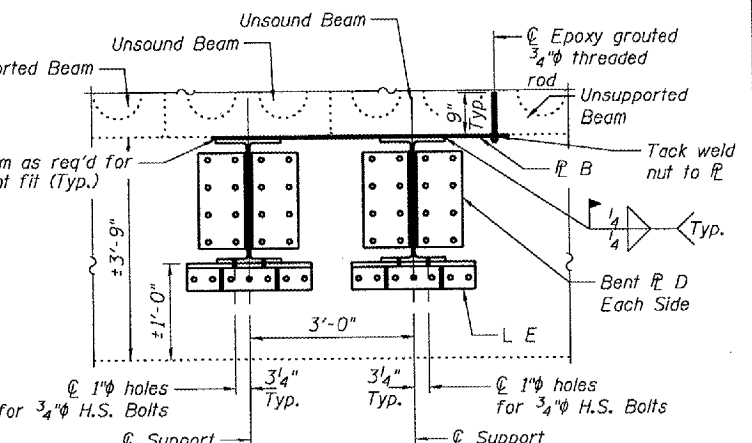
PLATE B
P 1/2" x 5'-4 3/4" x 6"
(9 Req'd)



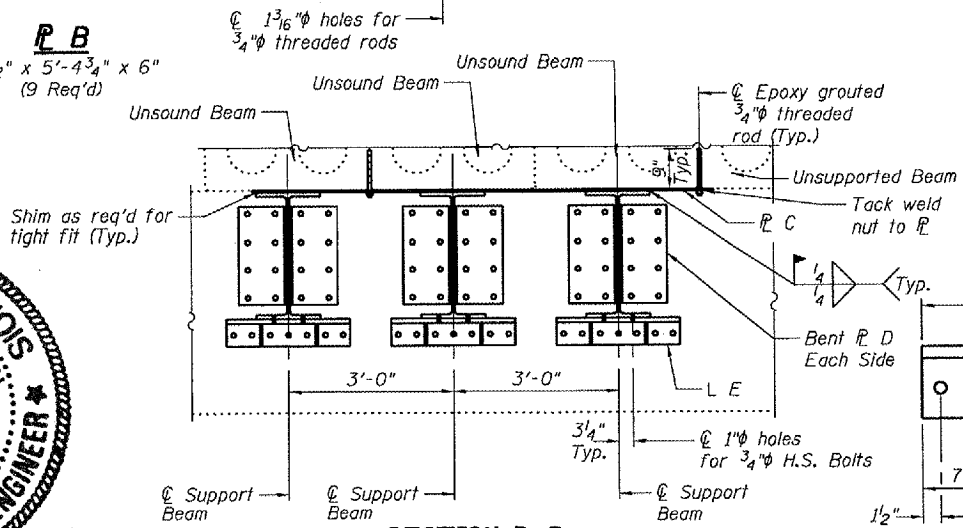
SECTION A-A
TYPICAL CONNECTION SECTION



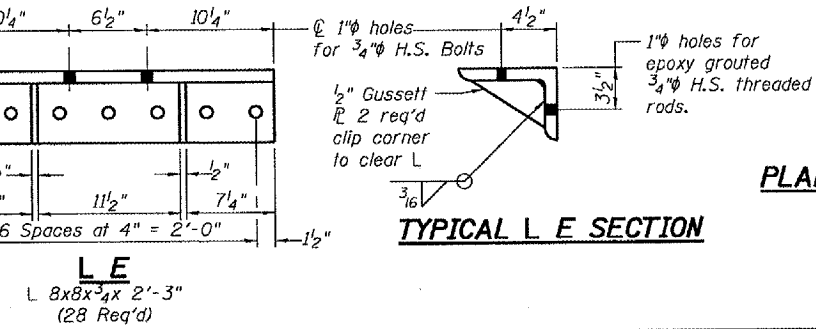
SECTION B-B



SECTION C-C



SECTION D-D



TYPICAL L E SECTION

GENERAL NOTES

All structural steel shall conform to AASHTO Classification M-270 Gr. 36, unless otherwise noted.

Plan dimensions and details relative to existing plans are subject to routine variations. The Contractor shall field verify existing dimensions and details affecting new construction and make necessary approved adjustments prior to construction or ordering of materials. Such variations shall not be cause for additional compensation for a change in scope of the work, however, the Contractor will be paid for the quantity actually furnished based upon the unit price bid for the work.

See Section 584 of the Standard Specifications for Epoxy Grouting of Threaded Rods.

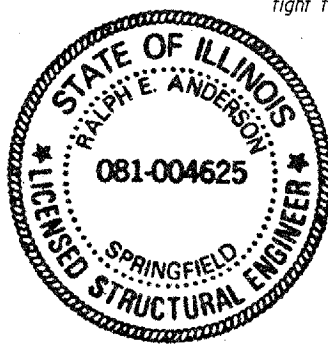
The cost of epoxy grouting threaded rods shall be included with Furnishing and Erecting Structural Steel.

Traffic control barrels shall be placed along beam line 6, see Roadway Plans for details.

DESIGNED: Adrian J. Hallaway
CHECKED: Victor H. Voliz
DRAWN: [Signature]
CHECKED: ATH VHV

EXAMINED: [Signature]
PASSED: Ralph E. Anderson
REPAIR PLANS UNIT CHIEF
ENGINEER OF BRIDGES AND STRUCTURES

January 12, 2007



Expires: November 30, 2008

PLAN AND ELEVATION
F.A.P. RT.614
CASS COUNTY
SN 009-0006