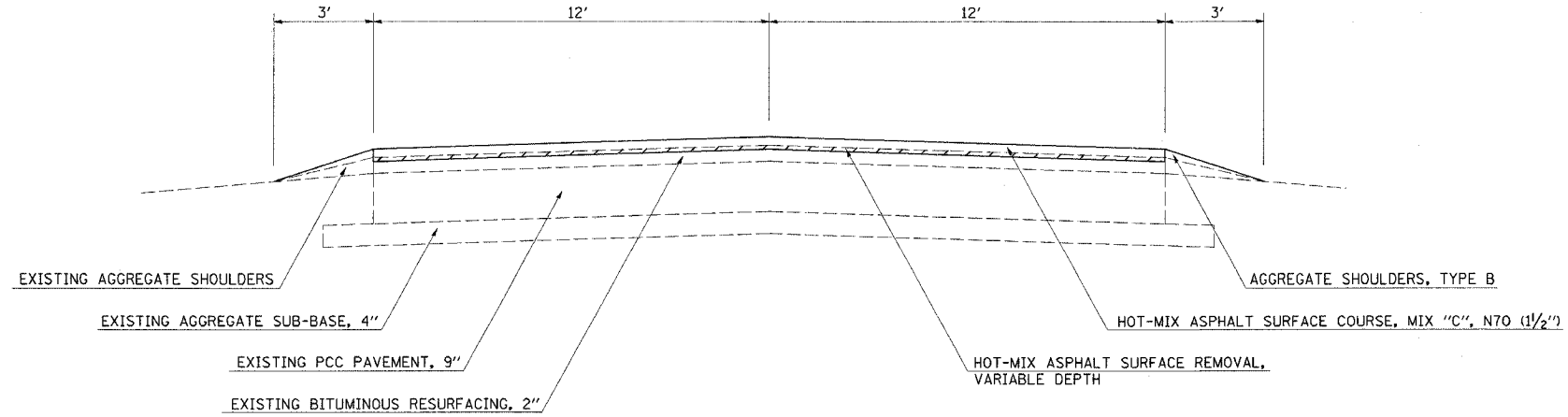


F.A.P. RTE.	SECTION	COUNTY	TOTAL SHEETS	SHEET NO.
762	(1,2)RS-3	MOULTRIE	16	4
STA.		TO STA.		
FED. ROAD DIST. NO.		ILLINOIS FED. AID PROJECT		

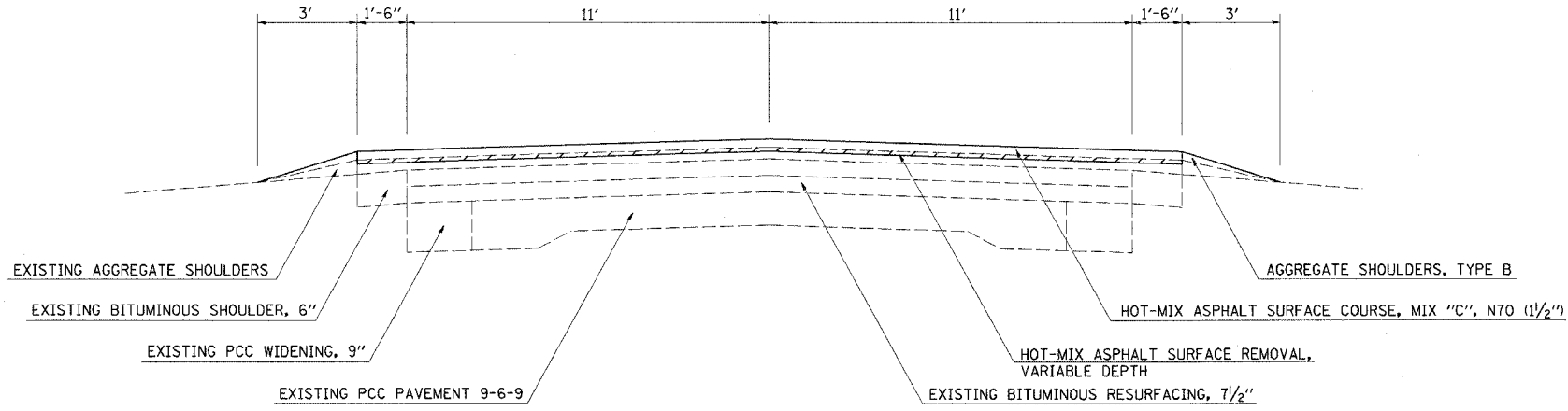
TYPICAL CROSS SECTION

STATION 207+00.00 TO STATION 232+58.50
STATION 239+07.00 TO STATION 271+00.00



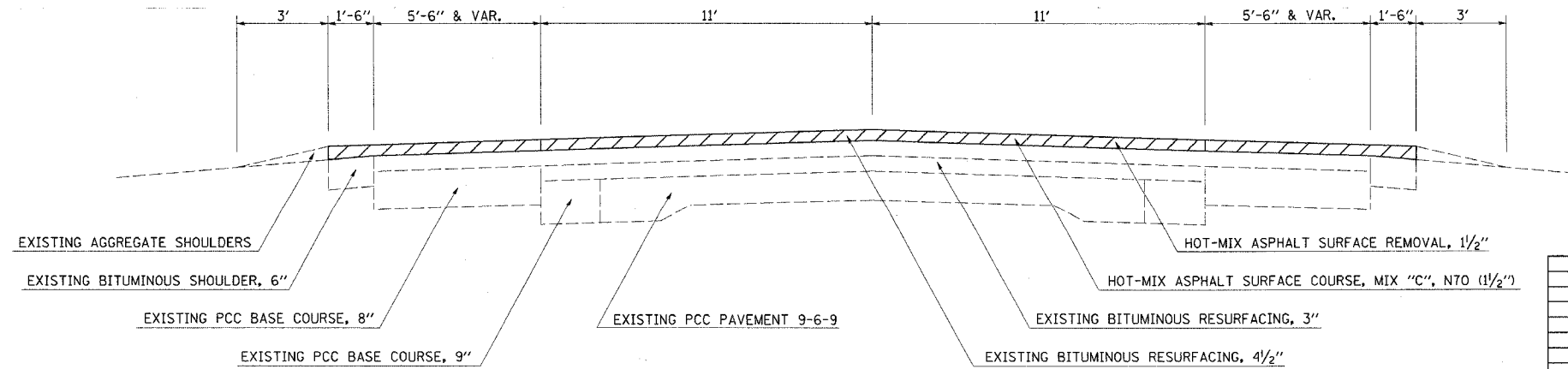
TYPICAL CROSS SECTION

STATION 271+00.00 TO STATION 286+17.00
STATION 295+80.00 TO STATION 397+20.00



TYPICAL CROSS SECTION

STATION 286+17.00 TO STATION 295+80.00



REVISIONS	
NAME	DATE

ILLINOIS DEPARTMENT OF TRANSPORTATION

TYPICAL CROSS SECTIONS

SCALE: VERT. _____
HORIZ. _____

DATE _____ DRAWN BY _____
CHECKED BY _____

PLOT DATE = 12/11/2006
PLOT SCALE = 1/4" = 1'-0"
USER NAME = shwrt204