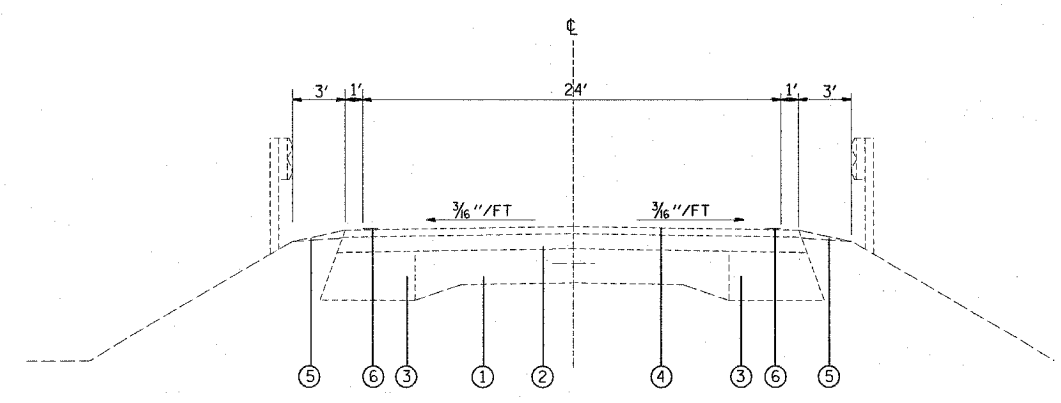
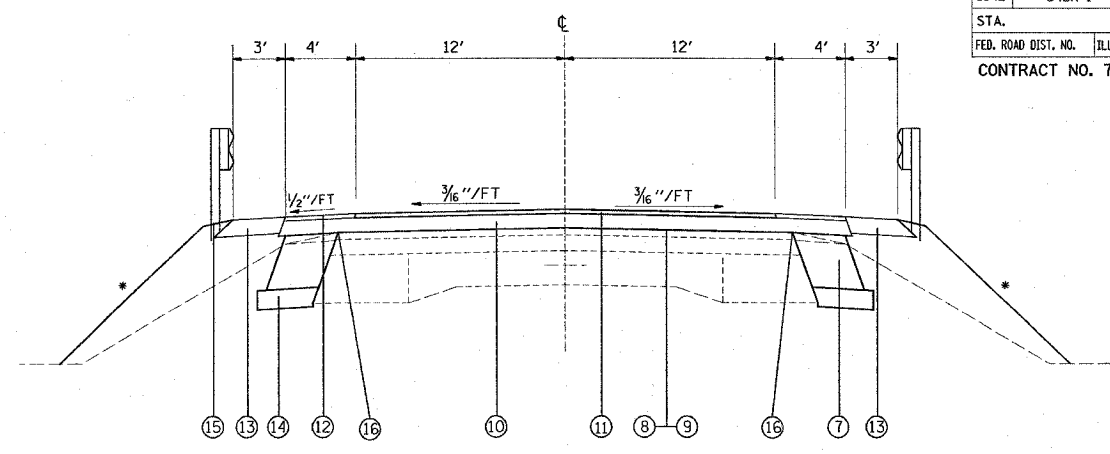


F.A.S. RTE.	SECTION	COUNTY	TOTAL SHEETS	SHEET NO.
1842	54BR-1	ST CLAIR	61	5
STA.		TO STA.		
FED. ROAD DIST. NO.		ILLINOIS	FED. AID PROJECT	
CONTRACT NO. 76129				

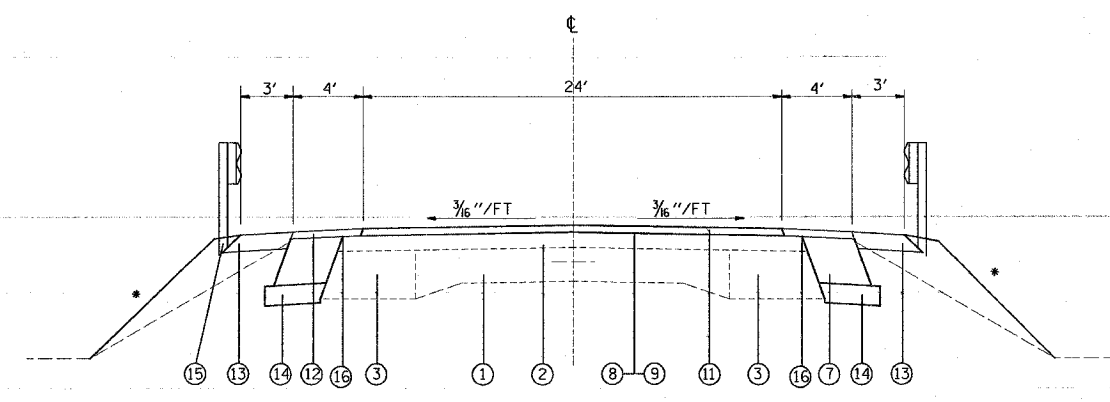


EXISTING TYPICAL SECTION
 STA. 664+15.50 TO STA. 667+99.00
 STA. 671+32.00 TO STA. 674+15.50



* SLOPE VARIES SEE CROSS SECTIONS

PROPOSED TYPICAL SECTION
 STA. 665+75.00 TO STA. 667+99.00
 STA. 671+32.00 TO STA. 674+15.50



* SLOPE VARIES SEE CROSS SECTIONS

PROPOSED TYPICAL SECTION
 STA. 665+15.50 TO STA. 665+75.00
 STA. 673+75.00 TO STA. 674+15.50

LEGEND

- ① EXISTING P.C.C. PAVEMENT
- ② EXISTING BITUMINOUS OVERLAY 3"
- ③ EXISTING BASE COURSE WIDENING 9"
- ④ EXISTING BITUMINOUS CONCRETE SURFACE COURSE, 1 1/2"
- ⑤ EXISTING AGGREGATE SHOULDERS, TYPE B
- ⑥ EXISTING PAINT PAVEMENT MARKING LINE 4"
- ⑦ PROPOSED HOT-MIX ASPHALT BASE COURSE WIDENING, 9"
- ⑧ PROPOSED BITUMINOUS MATERIALS (PRIME COAT)
- ⑨ PROPOSED AGGREGATE (PRIME COAT)
- ⑩ PROPOSED HOT-MIX ASPHALT BINDER COURSE, (VARIES 6 1/2" TO 10 1/2")
- ⑪ PROPOSED HOT-MIX ASPHALT SURFACE COURSE, 1 1/2"
- ⑫ PROPOSED HOT-MIX ASPHALT SHOULDER, 1 1/2"
- ⑬ PROPOSED AGGREGATE SHOULDER, TYPE B 6"
- ⑭ PROPOSED SUBGRADE GRANULAR MATERIAL TYPE A 4"
- ⑮ PROPOSED GUARDRAIL
- ⑯ PROPOSED STRIP REFLECTIVE CRACK CONTROL

MIXTURE REQUIREMENTS

MIXTURE USE	SURFACE	BINDER	BSE CSE WIDENING	SHOULDERS
AC/PG	PG 64-22	PG 64-22	PG 58-22	PG 58-22
RAP % (MAX)	10%	15%	30%	30%
DESIGN AIR VOIDS	4.0% @ Ndes= 70	4.0% @ Ndes= 70	4.0% @ Ndes= 50	2.0% @ Ndes=30
MIX COMPOSITION (GRADATION MIXTURE)		IL 19.0		
FRICTION AGG	MIXTURE "C"	MIXTURE "B"	BSE CSE	BAM

REVISIONS	
NAME	DATE

ILLINOIS DEPARTMENT OF TRANSPORTATION
TYPICAL SECTIONS
MIXTURE REQUIREMENTS
 FAS ROUTE 1842
 SECTION 106BR
 ST CLAIR COUNTY

SCALE: VERT. _____
 HORIZ. _____

DATE _____ DRAWN BY _____
 CHECKED BY _____

PLOT DATE = 12/11/2006
 FILE NAME = c:\p\proj\sect\106br\typ\106br4.dgn
 PLOT SCALE = 50.0000 / / IN.
 REFERENCE = #REF#