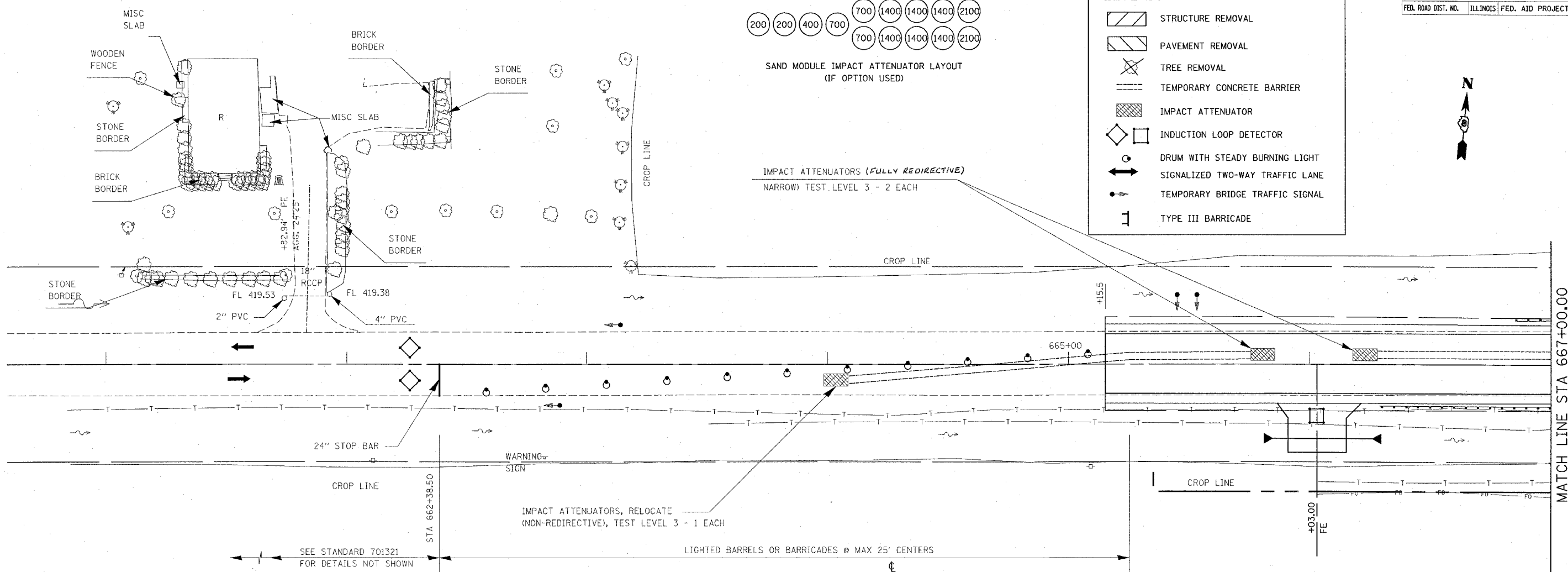
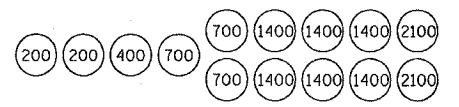


F.A.S. RTE.	SECTION	COUNTY	TOTAL SHEETS	SHEET NO.
1842	106BR	ST CLAIR	61	14
STA. 667+00.00		TO STA. 673+00.00		
FED. ROAD DIST. NO.		ILLINOIS FED. AID PROJECT		

LEGEND:

- STRUCTURE REMOVAL
- PAVEMENT REMOVAL
- TREE REMOVAL
- TEMPORARY CONCRETE BARRIER
- IMPACT ATTENUATOR
- INDUCTION LOOP DETECTOR
- DRUM WITH STEADY BURNING LIGHT
- SIGNALIZED TWO-WAY TRAFFIC LANE
- TEMPORARY BRIDGE TRAFFIC SIGNAL
- TYPE III BARRICADE

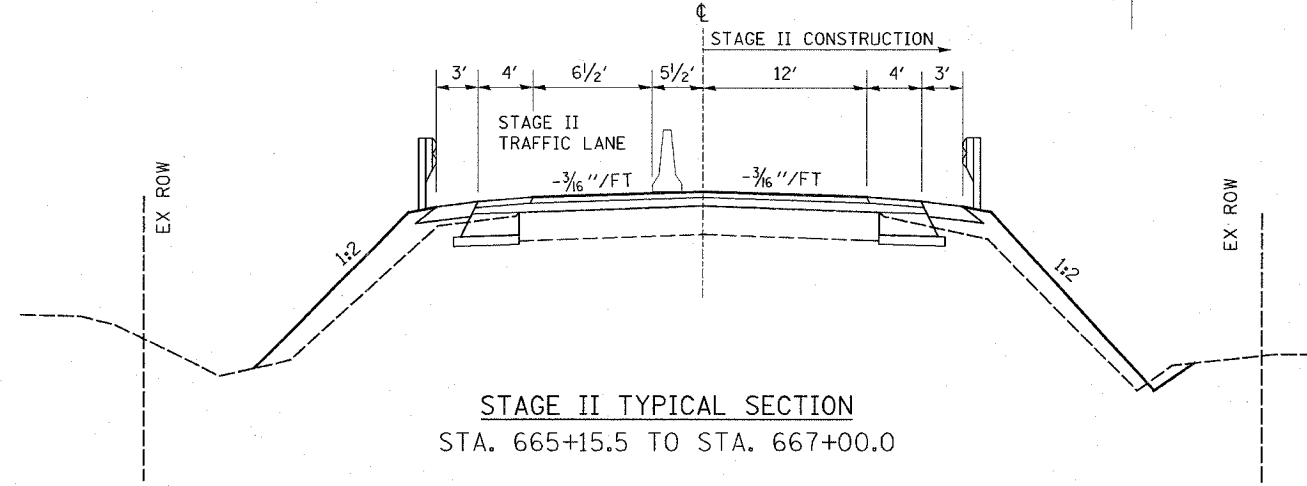


STAGE II CONSTRUCTION:

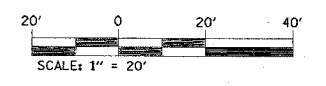
- STAGE II CONSTRUCTION SHALL CONSIST OF STAGE II REMOVAL OF THE EXISTING STRUCTURE, AND STAGE II CONSTRUCTION OF THE REPLACEMENT STRUCTURE, GRADING, RESURFACING THE RIGHT SIDE PAVEMENT EAST AND WEST OF THE STRUCTURE, GUARDRAIL, RIPRAP, ETC. STAGE II CONSTRUCTION SHALL BE DONE ACCORDING TO STAGE CONSTRUCTION AS DETAILED IN THE BRIDGE PLANS. TRAFFIC CONTROL SHALL BE IN ACCORDANCE WITH THE APPLICABLE PORTIONS OF STANDARD 701321 AND AS DETAILED IN THE STAGE CONSTRUCTION PLANS. THIS TRAFFIC CONTROL SHALL BE PAID FOR AS TRAFFIC CONTROL AND PROTECTION 701321 (SPECIAL).

NOTES:

- THE CONTRACTOR SHALL MAINTAIN ACCESS TO PRIVATE AND FIELD ENTRANCES LOCATED WITHIN THE LIMITS OF THE PROJECT.
- TRAFFIC CONTROL & PROTECTION, STANDARD 701321 (SPECIAL) INCLUDES BOTH STAGE I & II AND ANY ADDITIONAL SIGNING OR TRAFFIC CONTROL DEVICES SHOWN ON THE STAGE CONSTRUCTION PLANS.
- ALL ADDITIONAL TRAFFIC SIGNAL HEADS, LOOP DETECTORS AND ASSOCIATED EQUIPMENT REQUIRED TO MAINTAIN ACCESS AT THE FIELD AND DRIVEWAY ENTRANCES SHALL BE INCLUDED IN THE COST OF "TEMPORARY BRIDGE TRAFFIC SIGNALS"



- LEGEND**
- EXISTING PAVEMENT
 - PROPOSED HOT-MIX ASPHALT BASE COURSE WIDENING 9"
 - PROPOSED HOT-MIX ASPHALT BINDER COURSE (VARIES 0.75" TO 10 1/2")
 - PROPOSED HOT-MIX ASPHALT SURFACE COURSE 1 1/2"
 - PROPOSED HOT-MIX ASPHALT SHOULDERS, 1 1/2"
 - PROPOSED AGGREGATE SHOULDER 6"
 - PROPOSED SUBGRADE GRANULAR MATERIAL TYPE A, 4"
 - PROPOSED GUARDRAIL



REVISIONS	
NAME	DATE

ILLINOIS DEPARTMENT OF TRANSPORTATION

SUGGESTED STAGE II CONSTRUCTION

FAS ROUTE 1842
SECTION 106BR
ST CLAIR COUNTY

SCALE: VERT. HORIZ.
DATE

DRAWN BY
CHECKED BY

PLOT DATE = 12/15/2006
 FILE NAME = c:\projects\ed1418\plan\pl0606a.dgn
 PLOT SCALE = 20.0000' / 1"
 REFERENCE = SHEET#

Rev.