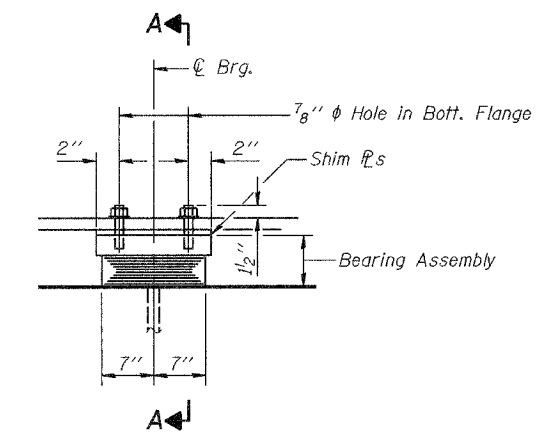


STATE OF ILLINOIS
DEPARTMENT OF TRANSPORTATION

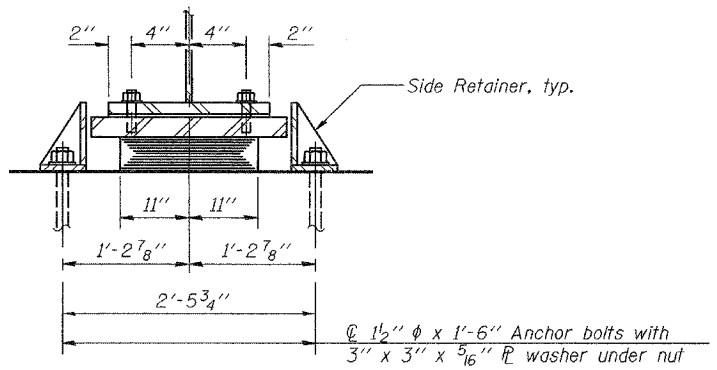
ROUTE NO.	SECTION	COUNTY	TOTAL SHEETS	SHEET NO.
F.A.S. 1842	106BR	ST. CLAIR	61	33
FED. ROAD DIST. NO. 7	ILLINOIS	FED. AID PROJECT		

Contract No. 76129

SHEET NO. 12
22 SHEETS



ELEVATION AT PIERS

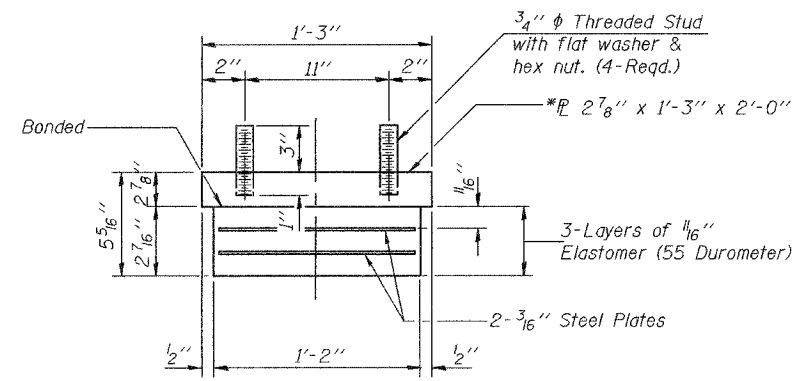


SECTION A-A

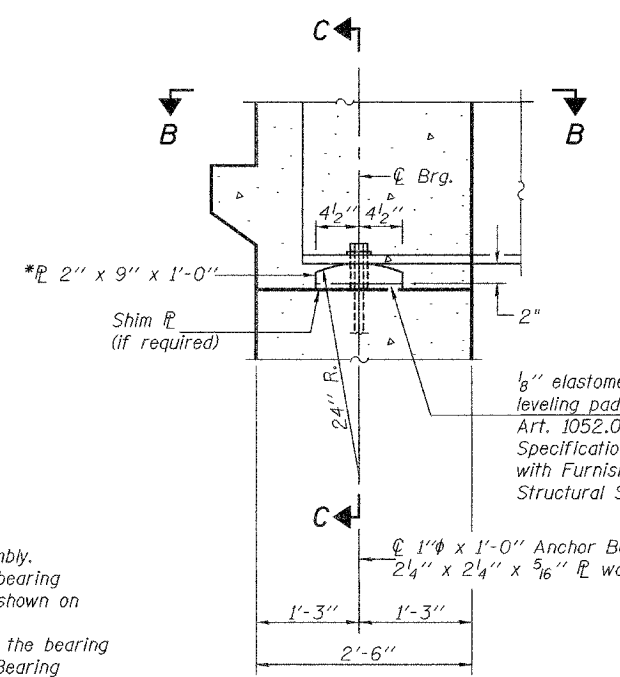
TYPE I ELASTOMERIC EXP. BRG.

* All bearing plates shall be AASHTO M270, Grade 50.

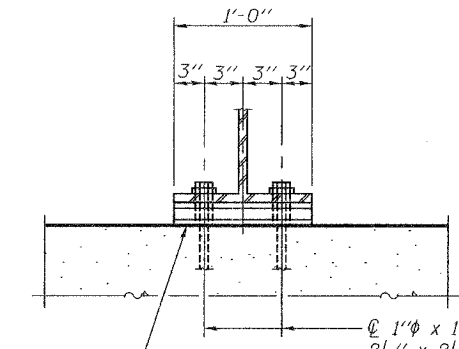
Notes:
See sheet 13 of 22 for Anchor Bolt Installation.
Shim plates shall not be placed under Bearing Assembly.
Two 5/8" adjusting shims shall be provided for each bearing in addition to all other plates or shims and placed as shown on bearing details.
Side retainers and other steel members required for the bearing assembly shall be included in the cost of Elastomeric Bearing Assembly, Type I.



BEARING ASSEMBLY



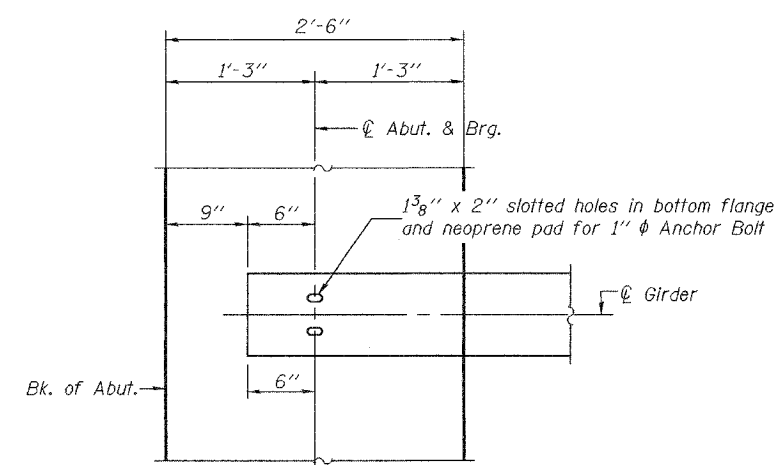
ELEVATION AT ABUTMENTS



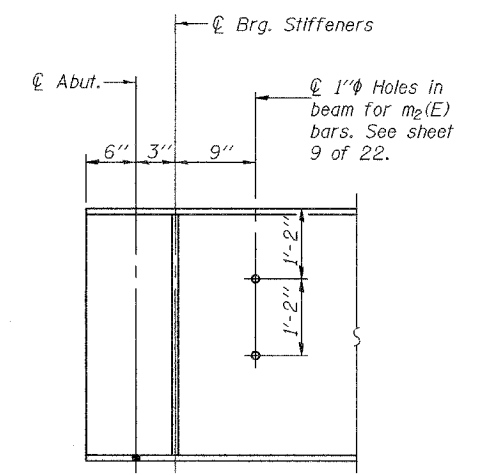
SECTION C-C

ABUTMENT BEARING

(12 Required)



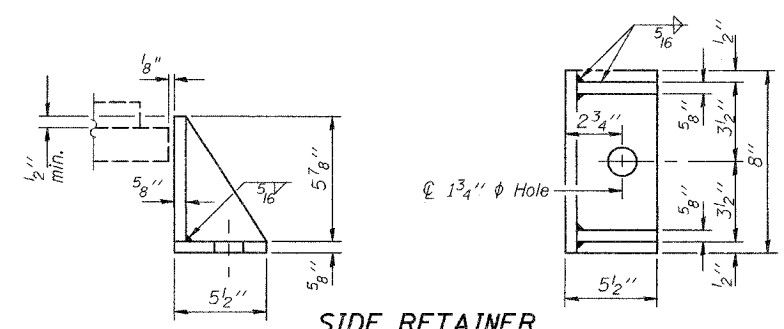
SECTION B-B



END OF GIRDER ELEVATION

BILL OF MATERIAL

Item	Unit	Total
Elastomeric Bearing Assembly Type I	Each	12



SIDE RETAINER

Equivalent rolled angle with stiffeners will be allowed in lieu of welded plates.

DESIGNED	JEK
CHECKED	RLM
DRAWN	AMBER SEIBER
CHECKED	RLM

January 23, 2007
EXAMINED *Thomas J. Demagala*
SUPERVISOR OF BRIDGE DESIGN
PASSED *Ralph E. Anderson*
ENGINEER OF BRIDGES AND STRUCTURES

BEARING DETAILS
F.A.S. ROUTE 1842 - SECTION 106BR
ST. CLAIR COUNTY
STATION 669+65.50
STRUCTURE NO. 082-0387