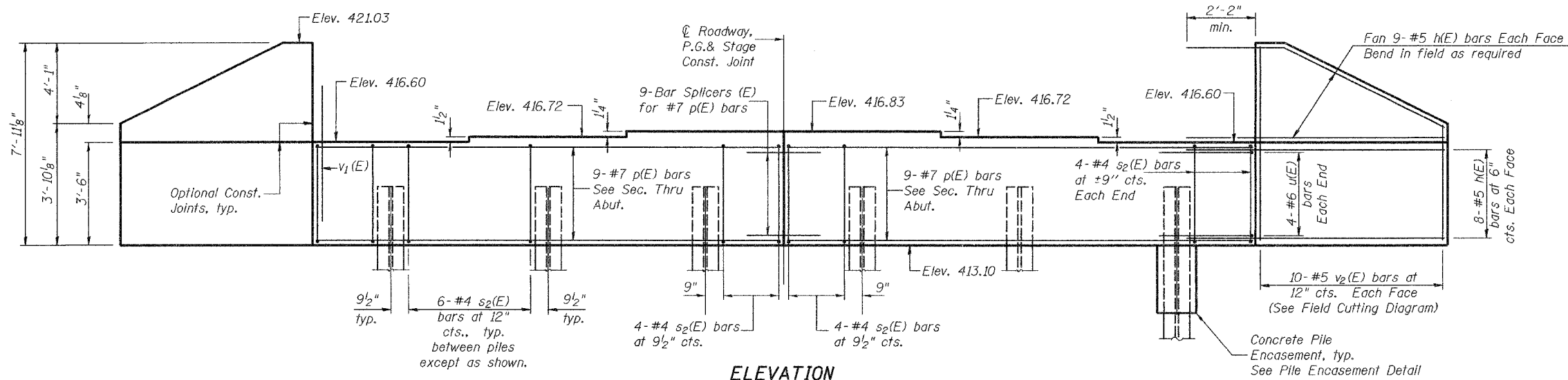


STATE OF ILLINOIS
DEPARTMENT OF TRANSPORTATION

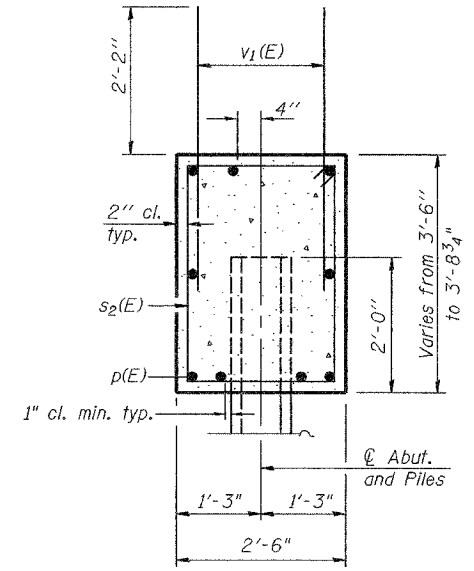
ROUTE NO.	SECTION	COUNTY	TOTAL SHEETS	SHEET	SHEET NO.
F.A.S. 1842	106BR	ST. CLAIR	61	35	14
FED. ROAD DIST. NO. 7					ILLINOIS
FED. AID PROJECT-					22 SHEETS

Contract No. 76129

Notes:
Pour steps monolithically with cap.
For anchor bolt installation details see sheet 13 of 22.
For bar splicer assembly details see sheet 18 of 22.
The steel H-piles shall be according to AASHTO M270 Grade 50.



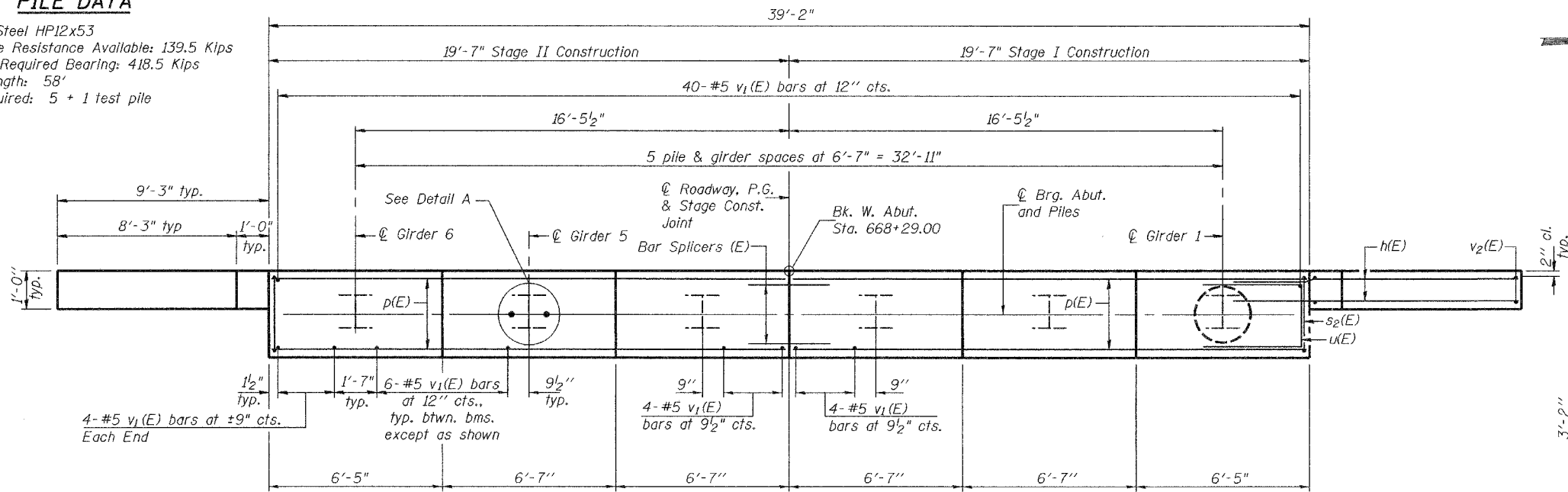
ELEVATION
(Looking West)



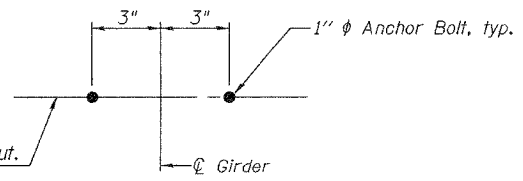
SEC. THRU ABUT.

PILE DATA

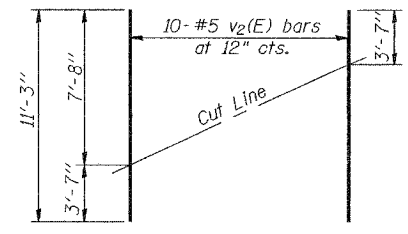
Type: Steel HP12x53
Allowable Resistance Available: 139.5 Kips
Nominal Required Bearing: 418.5 Kips
Est. Length: 58'
No. Required: 5 + 1 test pile



PLAN

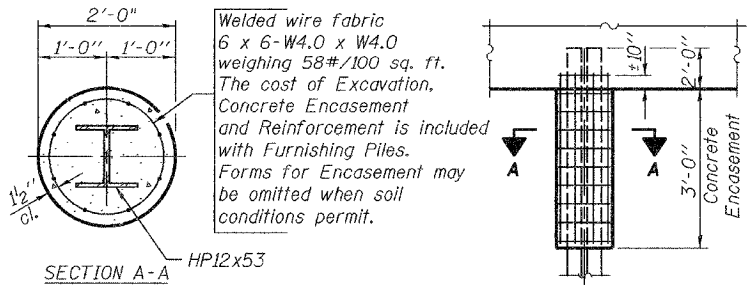


DETAIL A

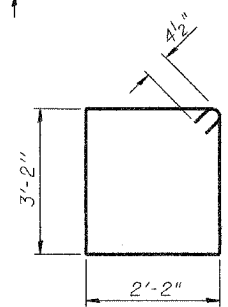


FIELD CUTTING DIAGRAM

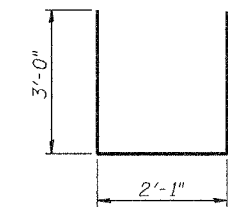
Order v2(E) full length. Cut as shown and use remainder of bars in opposite face.



PILE ENCASEMENT DETAIL



BAR s2(E)



BAR u(E)

BILL OF MATERIAL

Bar	No.	Size	Length	Shape
h(E)	68	#5	12'-5"	—
p(E)	18	#7	19'-3"	—
s2(E)	40	#4	11'-5"	□
u(E)	8	#6	8'-1"	□
v1(E)	80	#5	4'-4"	—
v2(E)	20	#5	11'-3"	—
Concrete Structures	Cu. Yd.		17.3	
Reinforcement Bars, Epoxy Coated	Pound		2590	
Structure Excavation	Cu. Yd.		92	
Furnishing Steel Piles HP12x53	Foot		290	
Driving Piles	Foot		290	
Test Pile Steel HP12x53	Each		1	

DESIGNED	JEK
CHECKED	RLM
DRAWN	AMBER SEIBER
CHECKED	RLM

January 23, 2007
EXAMINED *Thomas J. Donagale*
PASSED *Ralph E. Anderson*

WEST ABUTMENT
F.A.S. ROUTE 1842 - SECTION 106BR
ST. CLAIR COUNTY
STATION 669+65.50
STRUCTURE NO. 082-0387