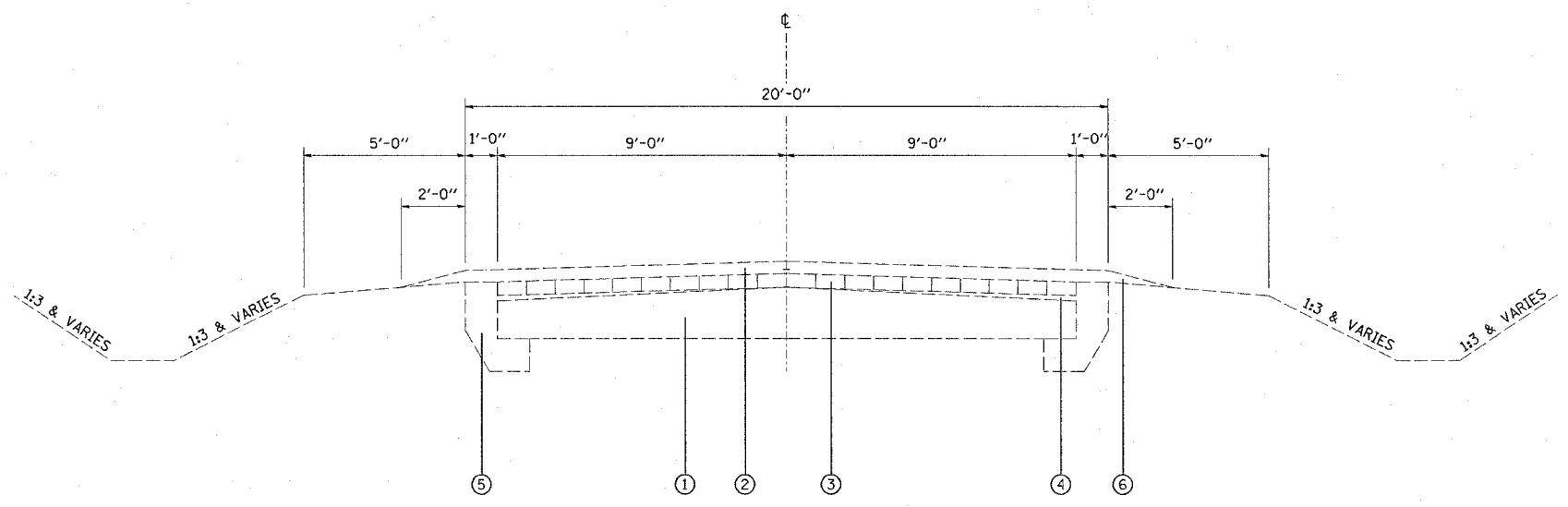


F.A.U. RTE.	SECTION	COUNTY	TOTAL SHEETS	SHEET NO.
9079	65BR	MADISON	46	6
STA.		TO STA.		
FED. ROAD DIST. NO.		ILLINOIS FED. AID PROJECT		

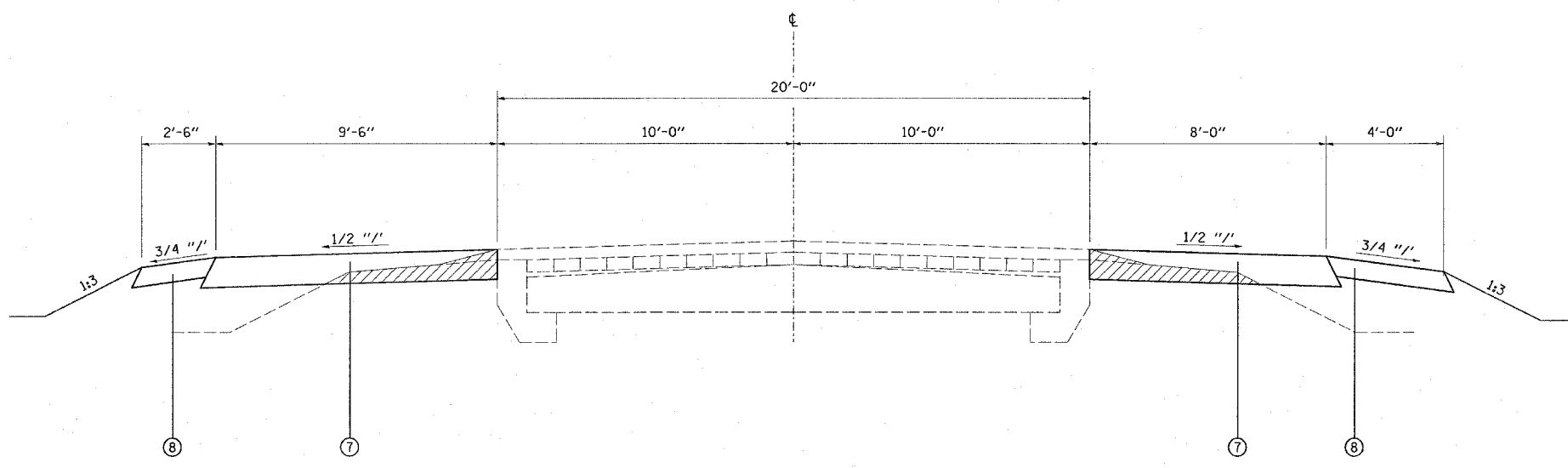


**EXISTING TYPICAL SECTION**

STA 386+55 TO STA 387+75  
 STA 389+13 TO STA 390+35

**LEGEND**

- ① EXISTING PAVEMENT
- ② EXISTING BITUMINOUS SURFACE COURSE & LEVELING BINDER
- ③ EXISTING BRICK - 2 1/2"
- ④ EXISTING BITUMINOUS MASTIC CUSHION - 3/4" TO 1 1/2"
- ⑤ EXISTING CONCRETE WIDENING
- ⑥ EXISTING GRAVEL OR CRUSHED STONE SHOULDER
- ⑦ PROPOSED HOT-MIX ASPHALT BASE COURSE, 9"
- ⑧ PROPOSED AGGREGATE SHOULDER - 6"



**PROPOSED TYPICAL SECTION**

STA 386+55 TO STA 387+75  
 STA 389+13 TO STA 390+35

MIXTURE USE	BINDER
AC/PG	PG 64-22
RAP % (MAX)	15%
DESIGN AIR Voids	4.0% @ Ndes=70
MIX COMPOSITION (GRADIATION MIXTURE)	
FRICITION AGG	MIXTURE "B"

NOTE: BINDER SPECIFICATIONS LISTED IN CHART ABOVE SHALL APPLY TO "HOT-MIX ASPHALT BASE COURSE, 9 INCH" AS SHOWN IN THE TYPICAL SECTIONS.

REVISIONS	
NAME	DATE

ILLINOIS DEPARTMENT OF TRANSPORTATION  
**TYPICAL SECTIONS**  
 FAP ROUTE 9079  
 SECTION 65BR  
 MADISON COUNTY  
 SN 060-0069 (E) 0236 (P)

PLOT DATE = 10/19/2006  
 FILE NAME = c:\projects\adl6699\plan\plan\16699a.dgn  
 PLOT SCALE = 5/8"=1'-0"  
 REFERENCE = #REF#