

STATE OF ILLINOIS
DEPARTMENT OF TRANSPORTATION

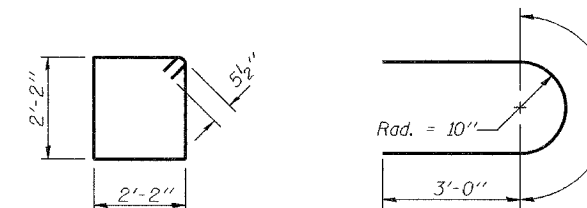
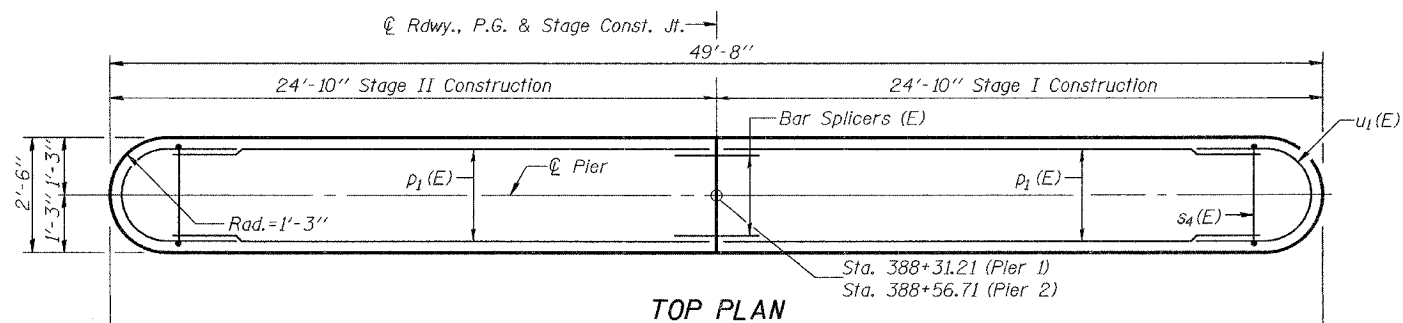
ROUTE NO.	SECTION	COUNTY	DATE	SHEET	SHEET NO.
F.A.U. 9079	65BR	MADISON	4/06	25	11 SHEETS
FED. ROAD DIST. NO. 7	ILLINOIS	FED. AID PROJECT-			

Contract 76136

Note: For bar splicer details, see sheet 10 of 11.

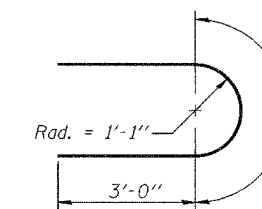
PILE DATA

Pile Type and Size: Metal Shell - 12" dia. x 0.179" walls
Nominal Required Bearing: 240 kips
Allowable Resistance Available: 80 kips
Est. Pile Length: 36'
No. Production Piles: 10 (Pier 1), 9 (Pier 2)
No. Test Piles: 0 (Pier 1), 1 (Pier 2)

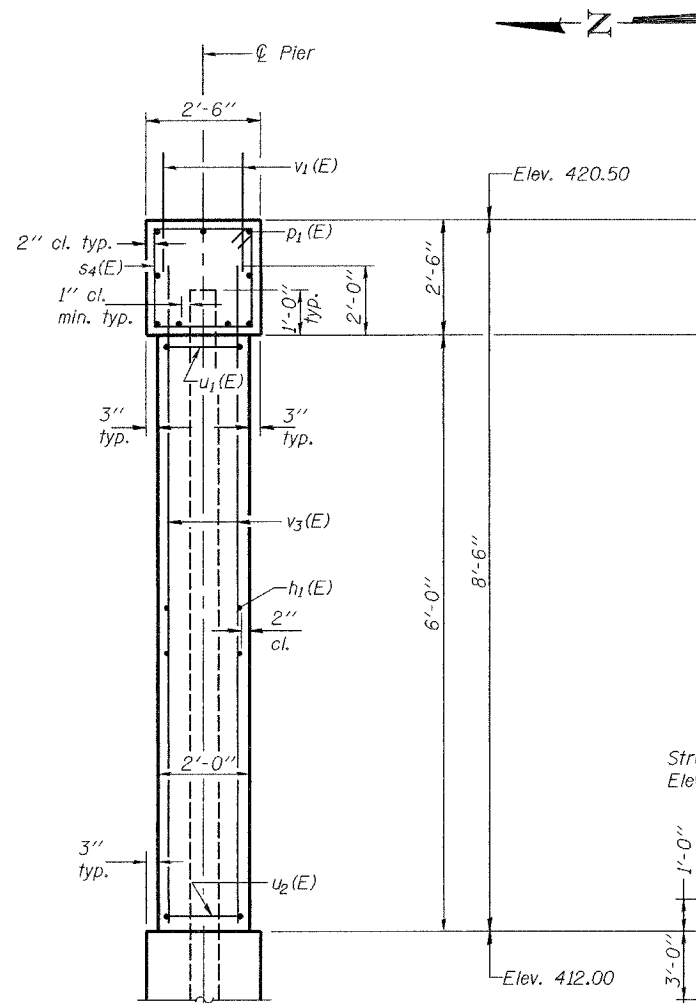


BAR s4(E)

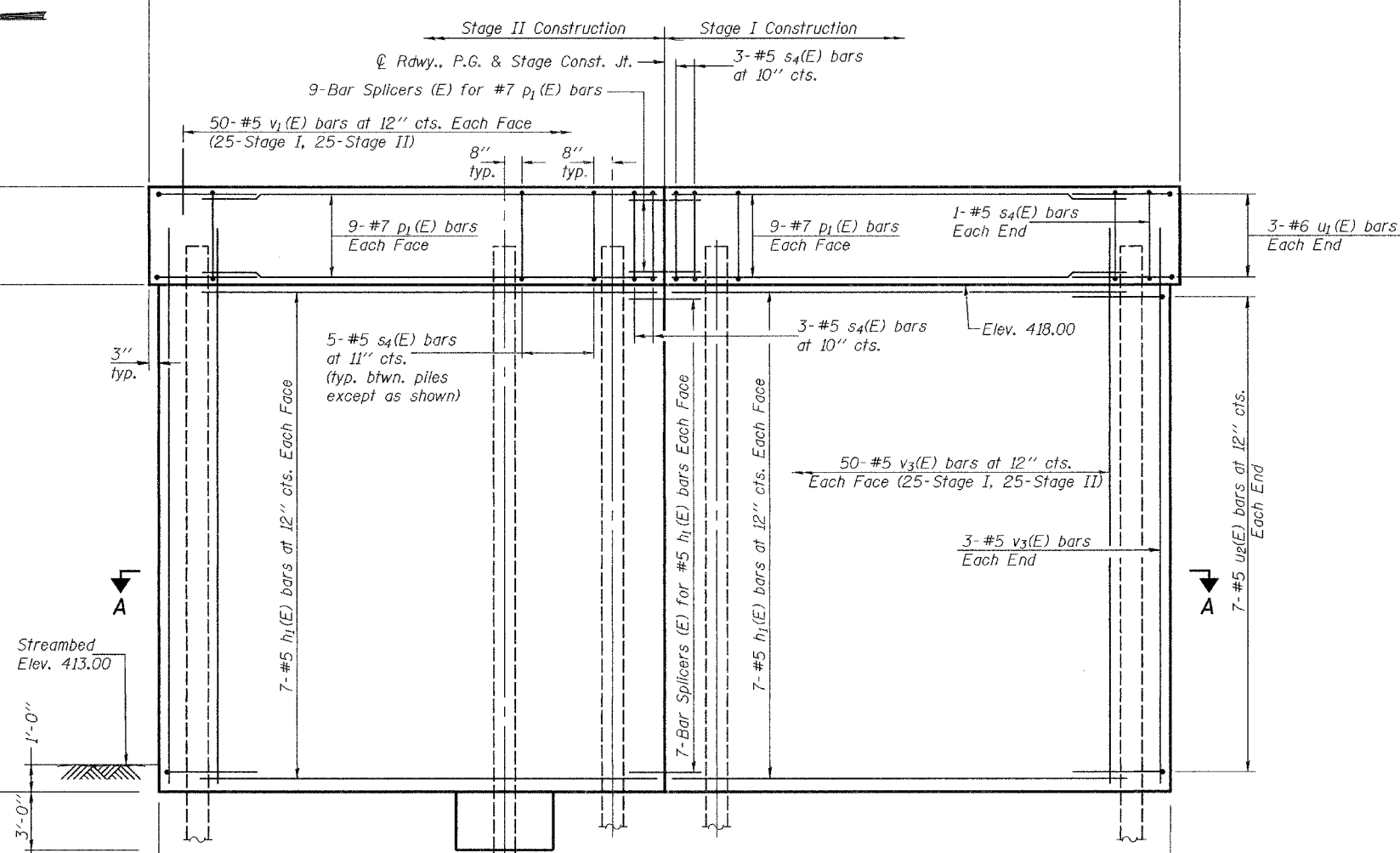
BAR u2(E)



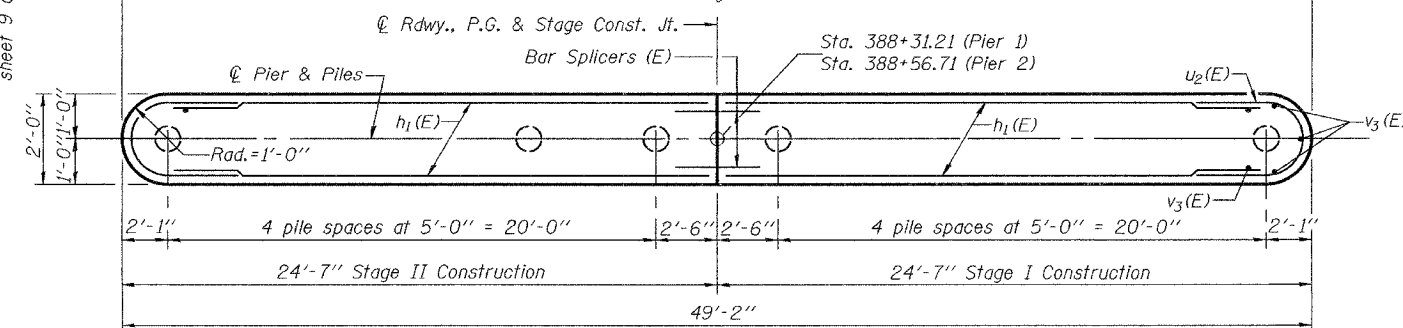
BAR u1(E)



END VIEW



ELEVATION
(Looking East)



SECTION A-A

BILL OF MATERIAL - TWO PIERS

Bar	No.	Size	Length	Shape
h1(E)	56	#5	23'-5"	—
p1(E)	36	#7	23'-5"	—
s4(E)	96	#5	9'-7"	□
u1(E)	12	#6	9'-5"	U
u2(E)	28	#5	8'-8"	U
v1(E)	200	#5	3'-6"	—
v3(E)	212	#5	7'-10"	—
Concrete Structures			Cu. Yd.	66.0
Reinforcement Bars, Epoxy Coated			Pound	6940
Structure Excavation			Cu. Yd.	24
Furnishing Metal Pile Shells 12" φ			Foot	684
Driving Piles			Foot	684
Underwater Structure Excavation Protection, Location 1			Each	1
Underwater Structure Excavation Protection, Location 2			Each	1
Test Pile Metal Shells			Each	1

PIERS
F.A.U. ROUTE 9079 - SECTION 65BR
MADISON COUNTY
STATION 388+43.96
STRUCTURE NO. 060-0236

DESIGNED	R.L.T.
CHECKED	J.P.A. & T.R.B.
DRAWN	BECKY M. LEACH
CHECKED	R.L.T. & G.R.A.

November 22, 2006
EXAMINED *Thomas J. Damagala*
PASSED *Ralph E. Anderson*
ENGINEER OF BRIDGES AND STRUCTURES