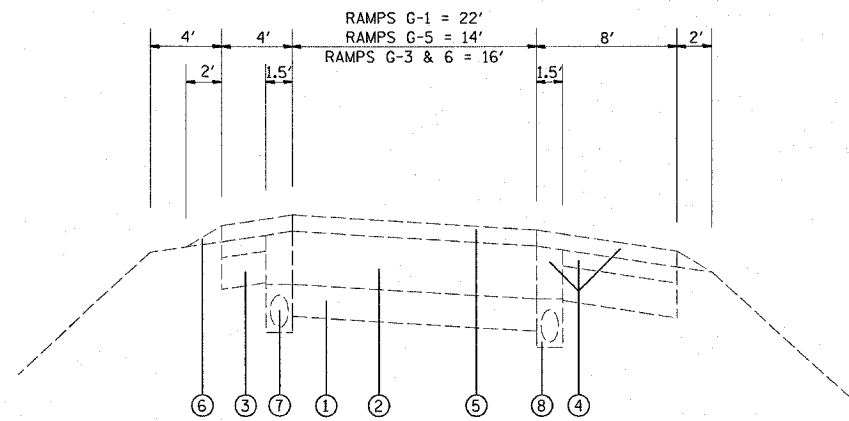


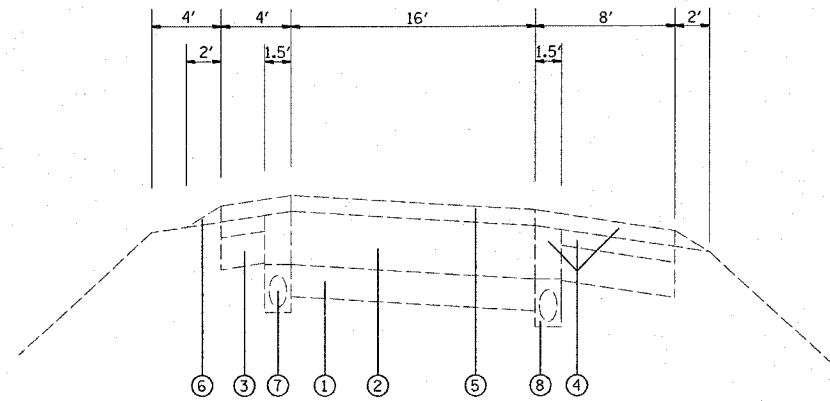
F.A.I. RTE.	SECTION	COUNTY	TOTAL SHEETS	SHEET NO.
70	60-110,118RS	MADISON	124	2
STA.	TO STA.			
FED. ROAD DIST. NO.	ILLINOIS FED. AID PROJECT			

EXISTING TYPICAL SECTION
RAMPS G1, G3, G5, AND G6



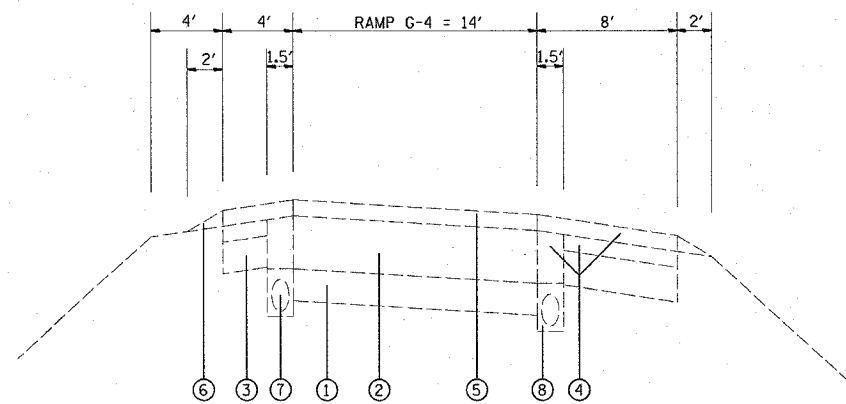
RAMP G1 STATION 2+72 TO STATION 16+88
 RAMP G3 STATION 7+00 TO STATION 20+50
 RAMP G5 STATION 0+00 TO STATION 25+53
 RAMP G6 STATION 1+78 TO STATION 13+15

EXISTING TYPICAL SECTION
RAMP G7



RAMP G7 STATION -0+66 TO STATION 15+82

EXISTING TYPICAL SECTION
RAMP G4



RAMP G4 STATION 8+20 TO STATION 31+28

LEGEND

- ① 6" SUB-BASE GRANULAR MATERIAL TYPE A
- ② 10" PCC PAVEMENT
- ③ STABILIZED SHOULDER
- ④ HMA SHOULDER
- ⑤ HMA CONCRETE OVERLAY, ±3"
- ⑥ AGGREGATE SHOULDERS, TYPE B
- ⑦ PIPE UNDERDRAINS
- ⑧ SAND

PLAT DATE = *DATE*
 PLOT SCALE = *SCALE*
 PLOT SCALE = *SCALE*
 REFERENCE = *REF*

REVISIONS	
NAME	DATE

ILLINOIS DEPARTMENT OF TRANSPORTATION
 EXISTING TYPICAL SECTIONS
 FAI ROUTE 70
 SECTION 60-(10,11)RS
 MADISON COUNTY

SCALE: VERT.
 HORIZ.
 DATE

DRAWN BY
 CHECKED BY