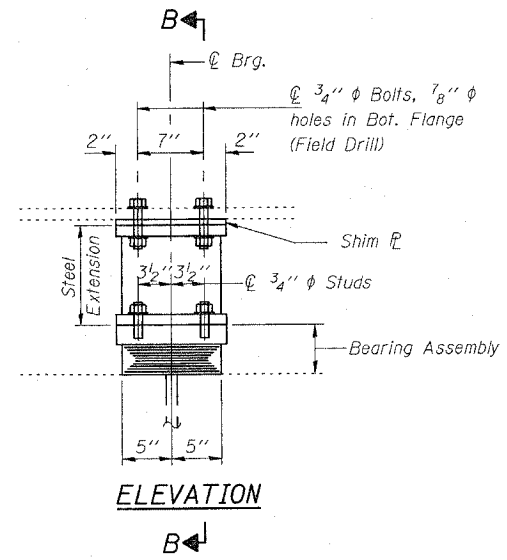


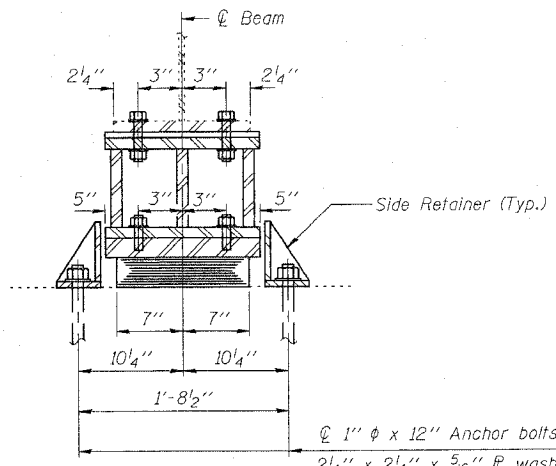
STATE OF ILLINOIS  
DEPARTMENT OF TRANSPORTATION

SHEET 7  
OF 9

F.A.I. RTE.	SECTION	COUNTY	TOTAL SHEETS	SHEET NO.
70	60-10B	MADISON	156	114
FED. ROAD DIST. NO.	ILLINOIS	FED. AID PROJECT		
			CONTRACT NO. 76857	



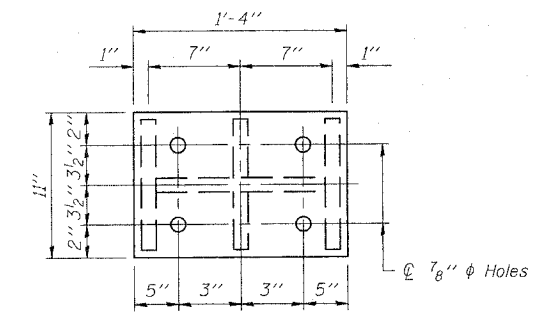
ELEVATION



SECTION B-B

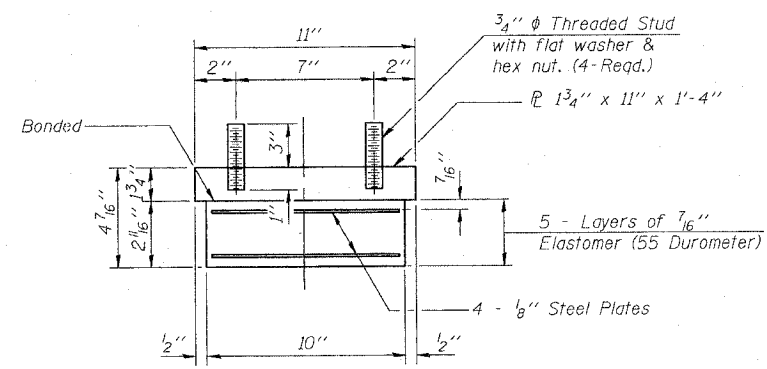
1"  $\phi$  x 12" Anchor bolts (Grade 36 ksi) with 2 1/4" x 2 1/4" x 5/16"  $\phi$  washer under nut.

R (DL)	(K)	59.7
R (LL)	(K)	39.4
R (Imp)	(K)	11.0
R (Total)	(K)	110.1
Minimum Jack Capacity	(Tons)	55



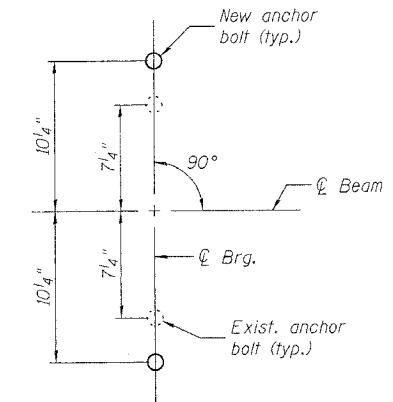
PLAN STEEL EXTENSION

TYPE I ELASTOMERIC EXP. BRG.

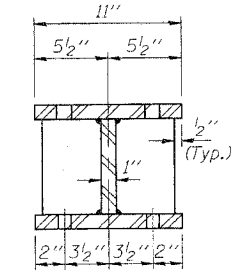


BEARING ASSEMBLY

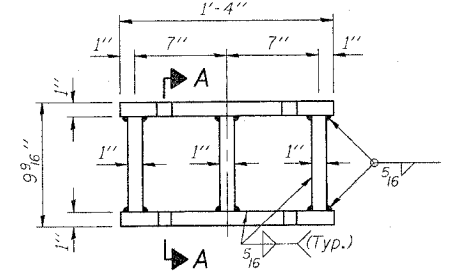
Note:  
Shim plates shall not be placed under Bearing Assembly.



ANCHOR BOLT LAYOUT

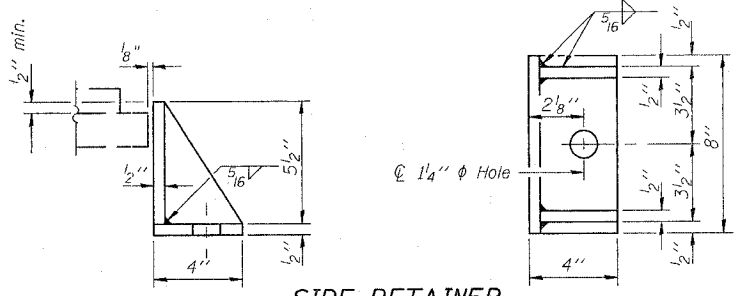


SECTION A-A



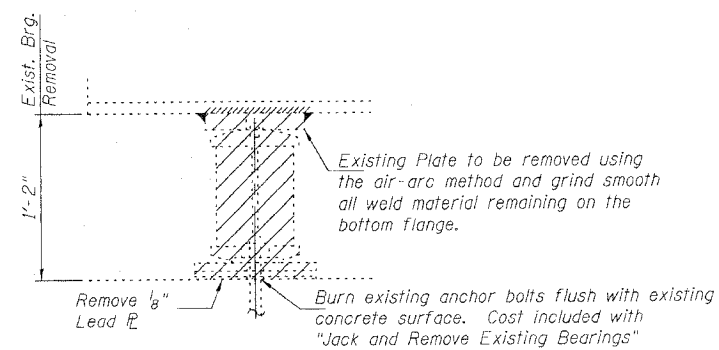
ELEVATION STEEL EXTENSION

NOTES:  
See Sheet 6 of 9 for Notes and Bill of Material.



SIDE RETAINER

Equivalent rolled angle with stiffeners will be allowed in lieu of welded plates.



EXISTING BEARING REMOVAL DETAIL

BEARINGS - PIER 2  
FAI 70 (WB) OVER  
WENDELL BRANCH  
FAI ROUTE 70 SECTION 60-10B  
MADISON COUNTY  
STATION 996+66.15  
STRUCTURE NO. 060-0024

DESIGNED: CDB	DRAWN: P. Ray
CHECKED: DCD	CHECKED: CDB/DCD

I-2-E1

FILE: J:\DO\1042 IL DB\1042-1-70 Bridge Repairs\3-SNG60-0024\_WendellB-WB-07Bearing2.dgn  
USER: DCD  
DATE: 01/12/2007 10:21:36