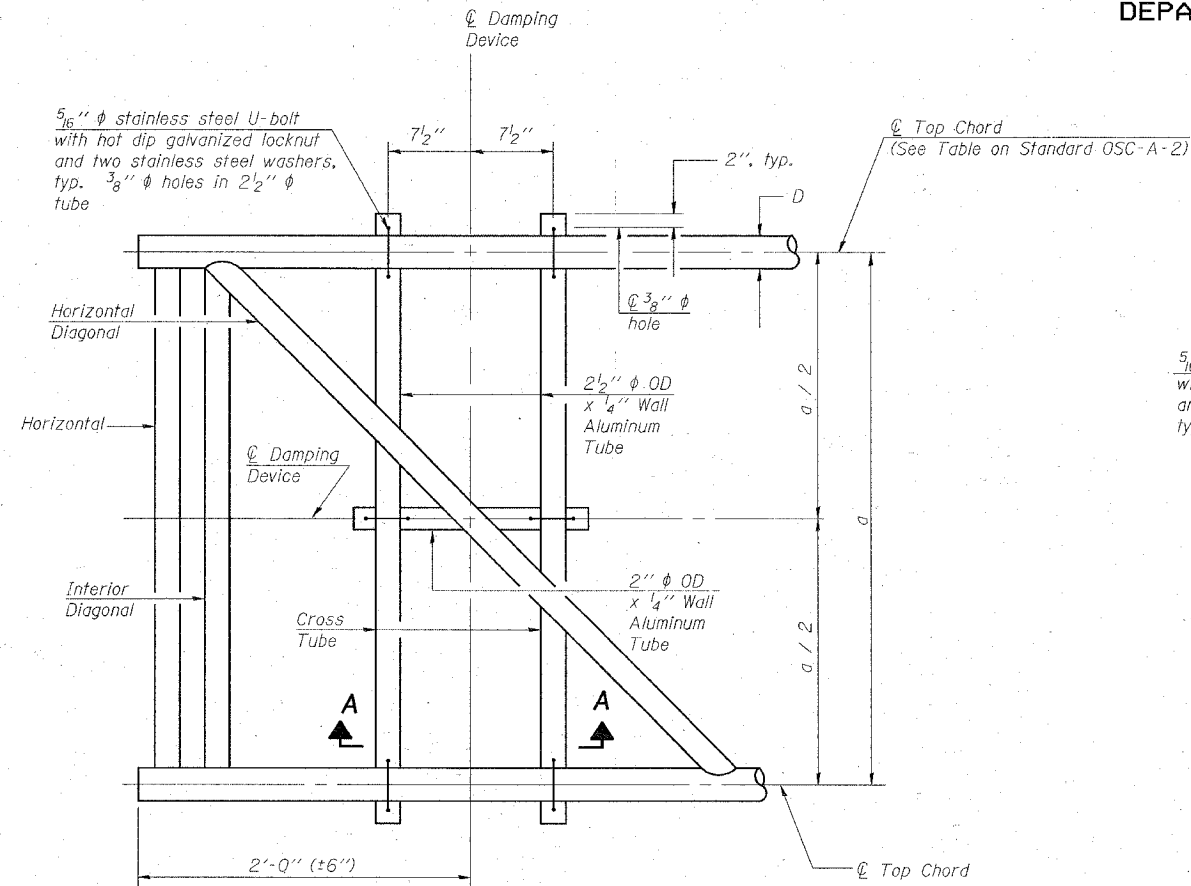


STATE OF ILLINOIS  
DEPARTMENT OF TRANSPORTATION

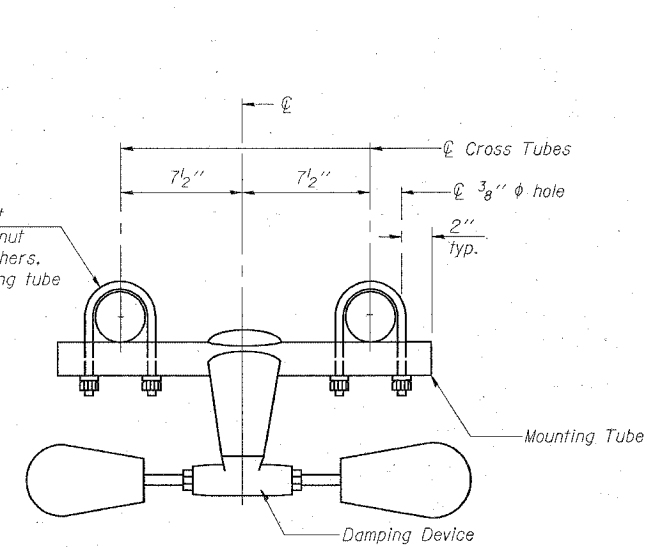
SHEET 3  
OF 9

F.A.I. SECTION	COUNTY	TOTAL SHEETS	SHEET NO.
70 60-10,11RS	MADISON	156	140
FED. ROAD DIST. NO.	ILLINOIS	FED. AID PROJECT	

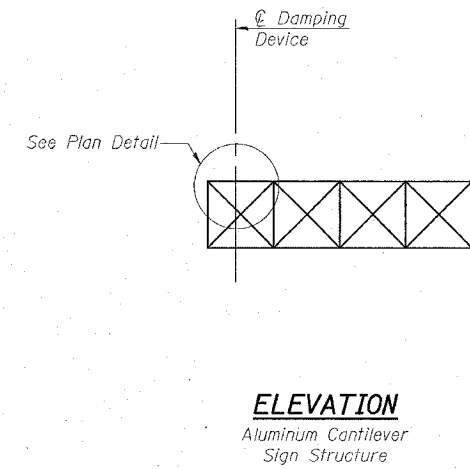
CONTRACT NO. 76857



PLAN DETAIL

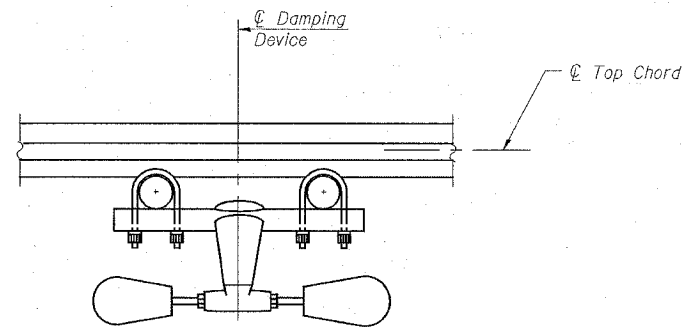


TRUSS DAMPING DEVICE CONNECTION DETAIL

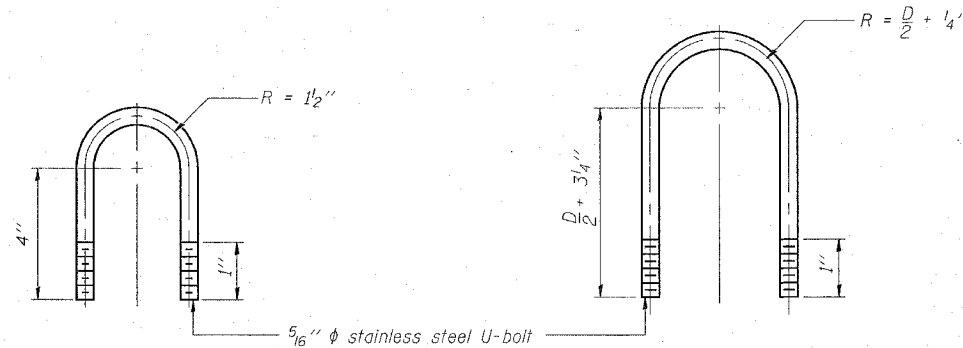


GENERAL NOTES

- Damper: One damper per truss. (31 lbs. Stockbridge-Type Aluminum)
- Materials: Aluminum tubes shall be ASTM B221 alloy 6061 temper T6



SECTION A-A



DAMPING DEVICE MOUNTING TUBE U-BOLT DETAIL (Typical)

TOP CHORD TO CROSS TUBE U-BOLT DETAIL (Typical)

CANTILEVER SIGN STRUCTURE  
DAMPING DEVICE

FAI ROUTE 70  
SECTION 60-(10,11)RS  
MADISON COUNTY

<b>JD</b> Johnson, Depp & Quisenberry CONSULTING ENGINEERS Springfield, Illinois	
DESIGNED: CDB	DRAWN: SJS
CHECKED: DCD	CHECKED: CDB/DCD

OSC-A-D 7/01/2006

DATE: 01/01/06 USER: #158588 FILE: #FILES