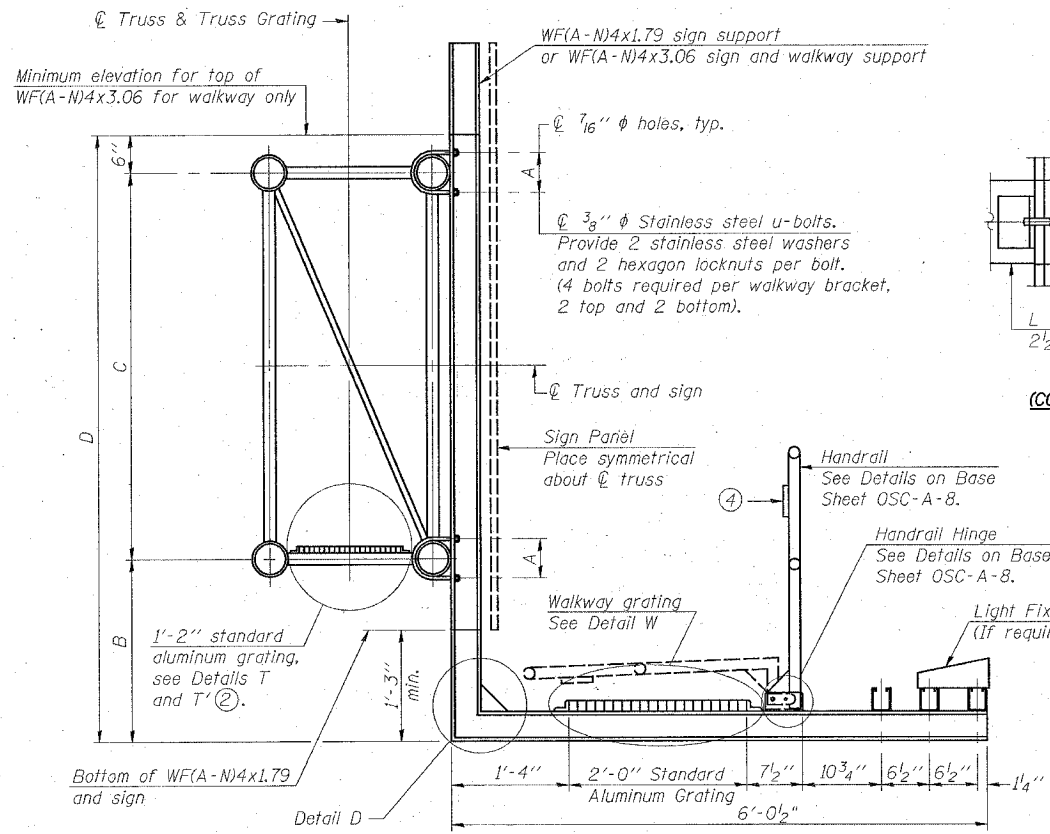


STATE OF ILLINOIS
DEPARTMENT OF TRANSPORTATION

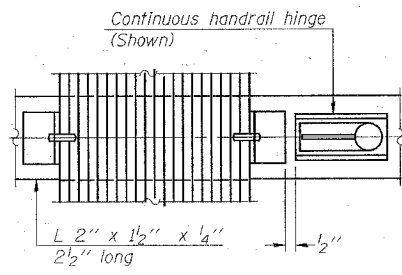
SHEET 7
OF 9

F.A.I. RTE.	SECTION	COUNTY	TOTAL SHEETS	SHEET NO.
70	60-(10,11)RS	MADISON	156	14
FED. ROAD DIST. NO.	ILLINOIS	FED. AID PROJECT		
CONTRACT NO. 76857				

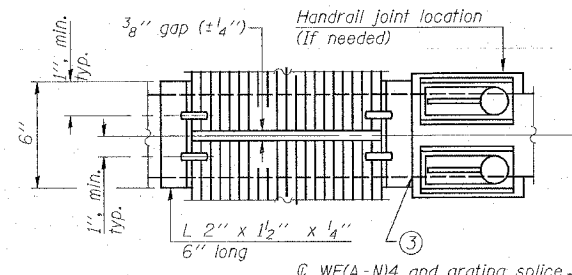


SECTION B-B

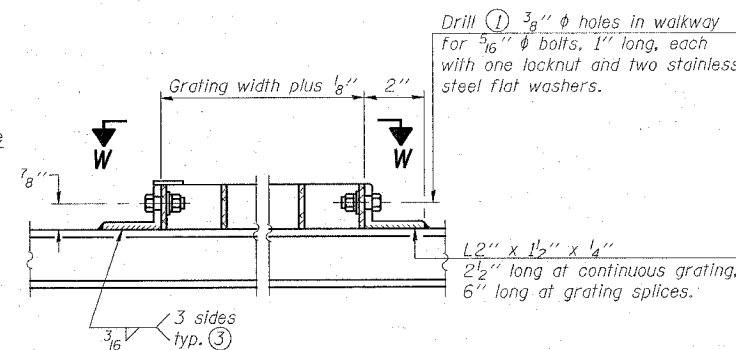
Sign shall be even with the top of the bracket, but it may extend no more than 6" above the top of the bracket for field adjustments.



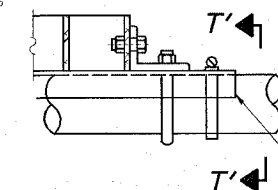
SECTION W-W (CONTINUOUS WALKWAY GRATING)



SECTION W-W (AT WALKWAY GRATING SPLICE)

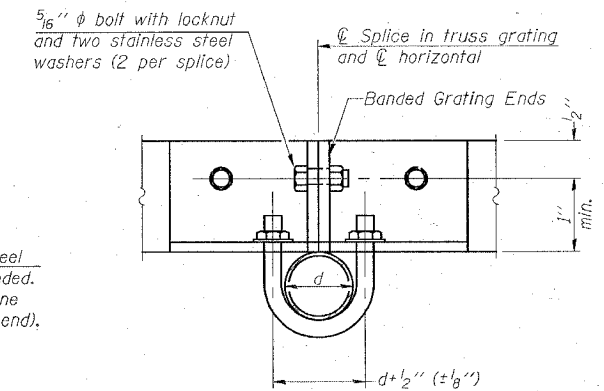


DETAIL W (Walkway grating)

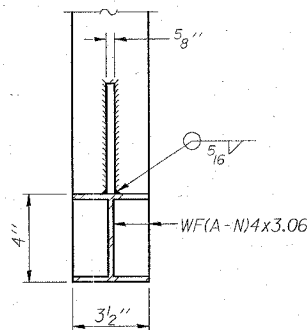


DETAIL T' (Truss grating splice)

Details not shown same as Detail T. Alternate materials may be used subject to the Engineer's review and approval.

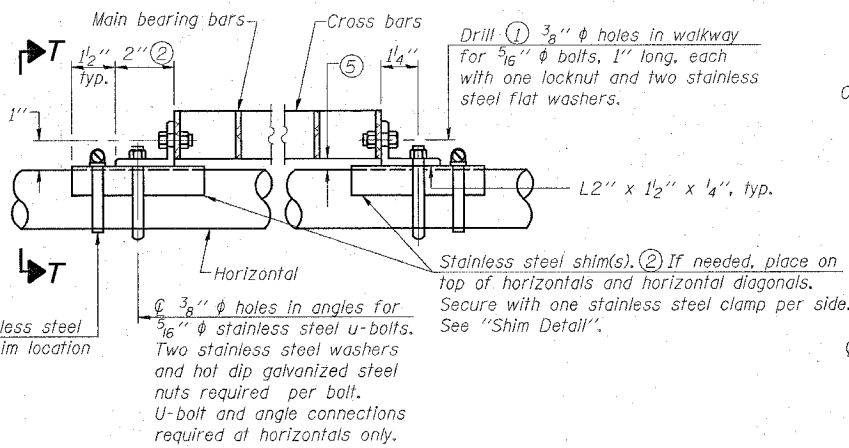


SECTION T'-T'



SECTION D-D

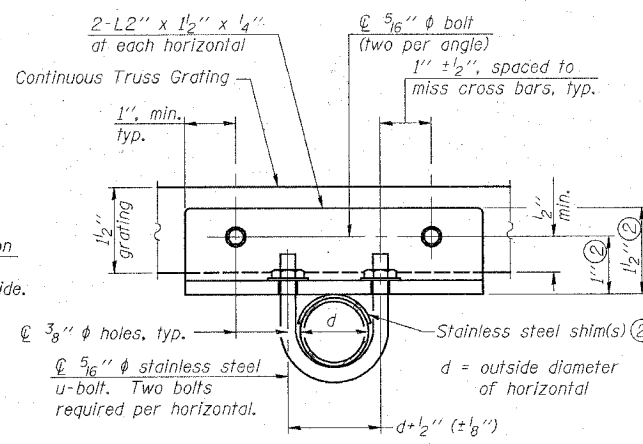
Screw type stainless steel tube clamp at shim location



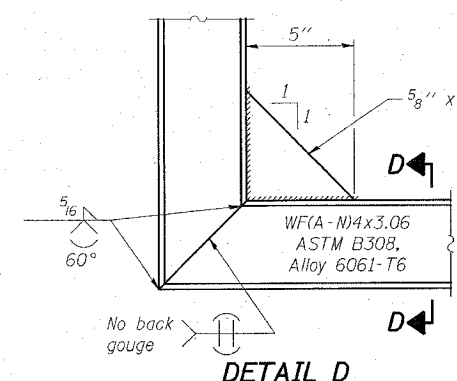
DETAIL T (Continuous Truss grating)

(Continuous Truss grating)

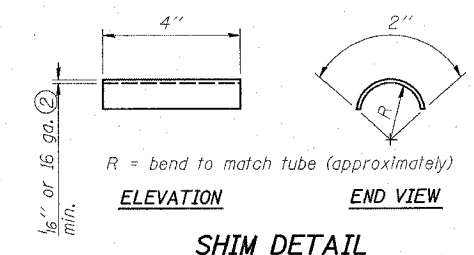
- Drilling holes in grating may be done in shop or field, based on Contractor's preference and subject to accurate alignment.
- Stainless steel shims shall be placed as shown in Detail T if needed to compensate for alignment variations between horizontal and diagonal pipes beyond adjustment provided by angles. Thicker shims may be used subject to shims performing properly.
- If Handrail Joint present, weld angle to WF(A-N)4 and 1/4 inch extension bars. (See Base Sheet OSC-A-8.)
- 1/8 inch x 1/2 inch x 2 inch welded to handrail posts to protect locations that contact grating.
- Tube to grating gap may vary from 0 to 1/2 inch, max. to align walkway, allow for camber, etc.



SECTION T-T



DETAIL D



SHIM DETAIL

NUMBER	REVISION	DATE

JD Johnson, Depp & Quisenberry CONSULTING ENGINEERS Springfield, Illinois	
DESIGNED: CDB	DRAWN: SJS
CHECKED: DCD	CHECKED: CDB/DCD

OSC-A-7 7/01/2006

Structure Number	Station	A	B	C	D
8C0601270R014.8	862+15 (FAI-270)	7 1/2"	2'-9"	7'-0"	10'-3"

**CANTILEVER SIGN STRUCTURES
WALKWAY DETAILS
ALUMINUM TRUSS & STEEL POST**

**FAI ROUTE 70
SECTION 60-(10,11)RS
MADISON COUNTY**

FILE: #FILES
USER: #USERS
DATE: #DATES