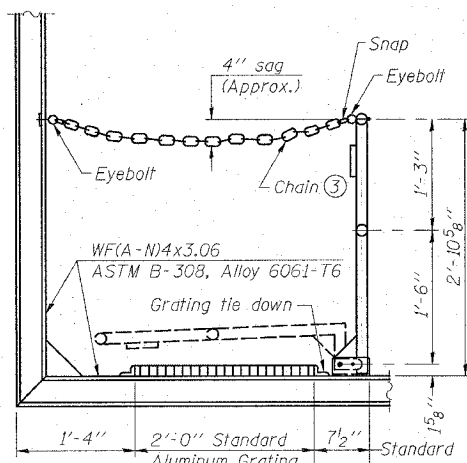


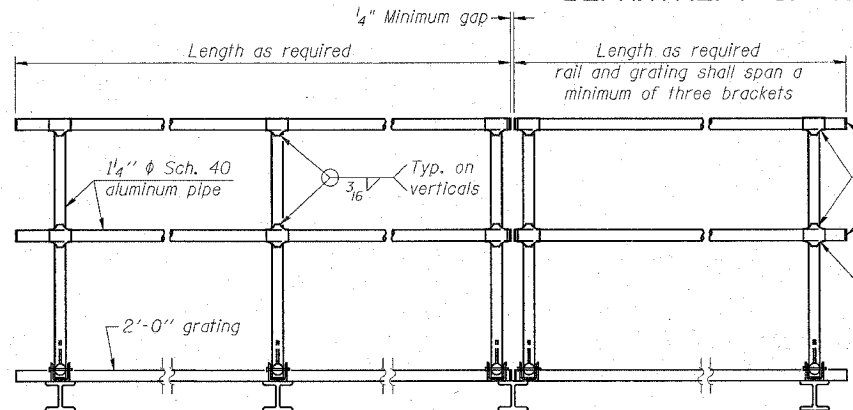
STATE OF ILLINOIS
DEPARTMENT OF TRANSPORTATION

SHEET 8
OF 9

F.A.I. RTE.	SECTION	COUNTY	TOTAL SHEETS	SHEET NO.
70	60-(10,11)RS	MADISON	156	145
FED. ROAD DIST. NO.	ILLINOIS	FED. AID PROJECT		
			CONTRACT NO. 76857	



SIDE ELEVATION
(Showing Safety Chain W/O Sign)

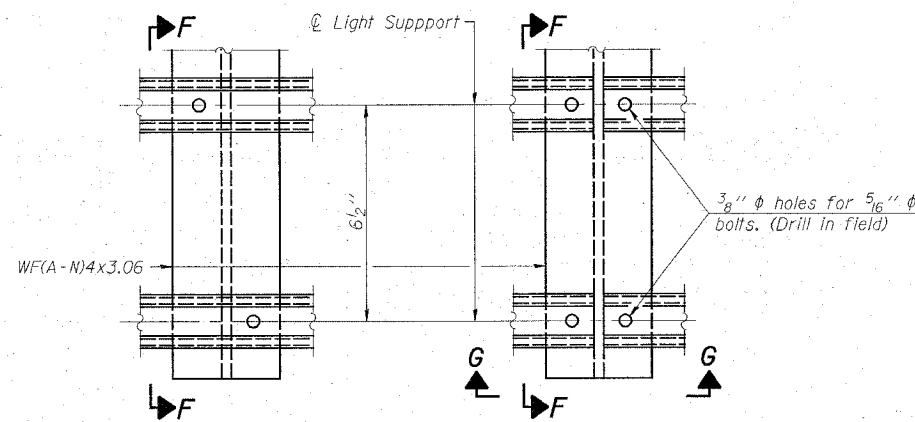


FRONT ELEVATION

HANDRAIL DETAILS

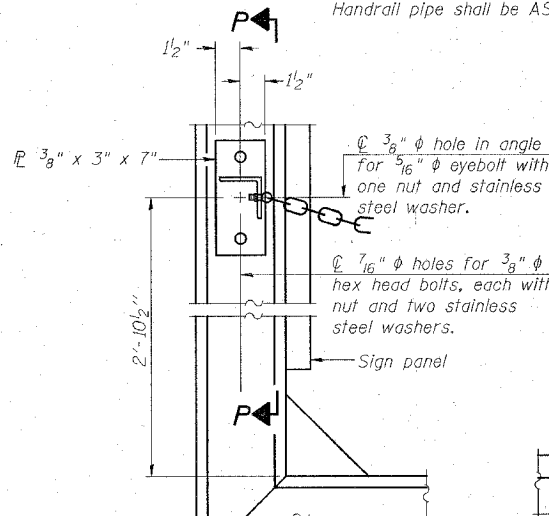
Handrail pipe shall be ASTM B241 or B429, Alloy 6063-T6 or Alloy 6061-T6.

① Install standard force-fit end caps or weld 5/8 inch end plates with 5/8 inch c.f.w. and grind smooth. (All rail ends)
Fittings - ASTM B26, Alloy 356-T7 or 1/2 inch aluminum pipe
② Horizontal handrail member shall be continuous thru fitting. Provide 7/16 inch hole in fitting for 3/8 inch bolt. Field drill 1/16 inch hole in horizontal rail member. Provide locknut and two stainless steel washers for bolt. (Use 5/16 inch eyebolts in 1/16 inch holes on top rail at ends only.)



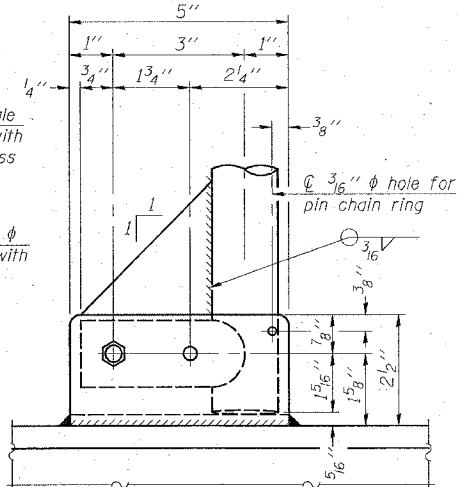
DETAIL F

DETAIL G

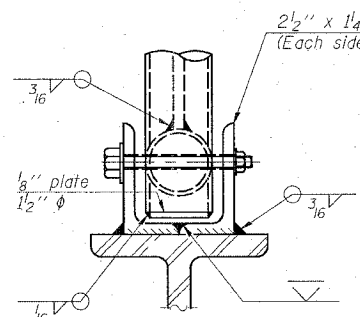


ALTERNATE SAFETY CHAIN ATTACHMENT

(With Sign Present)
Items not shown same as "Side Elevation" of "Handrail Details"

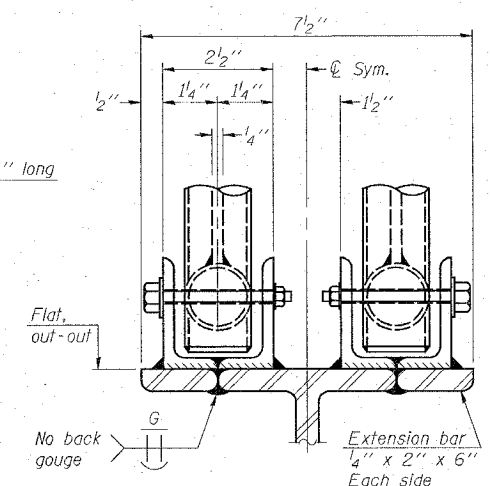


SIDE ELEVATION



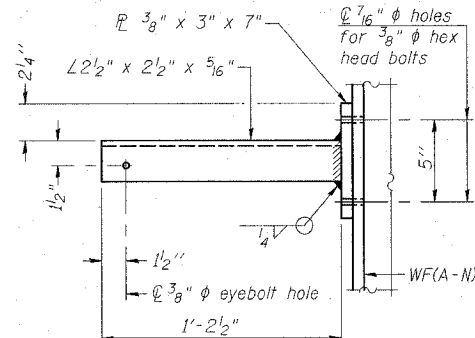
FRONT ELEVATION

Details not shown same as "ELEVATION" at right.

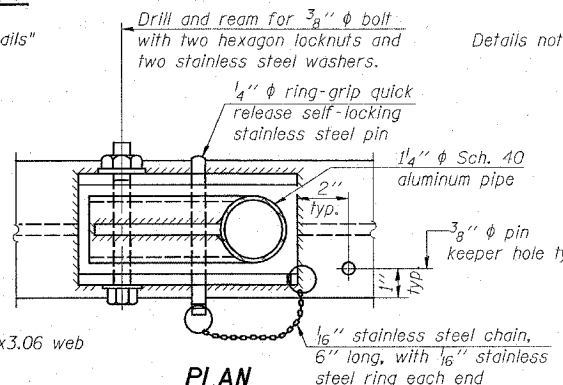


ELEVATION AT HANDRAIL JOINT

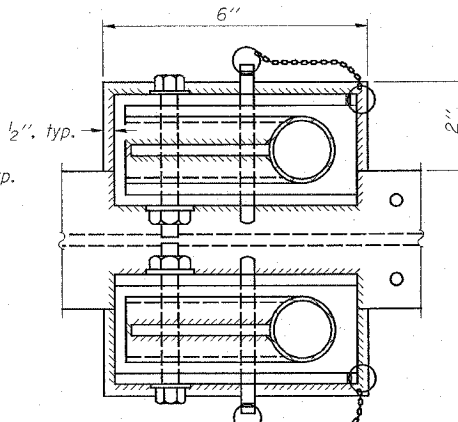
Details not shown same as "FRONT ELEVATION"



SECTION P-P

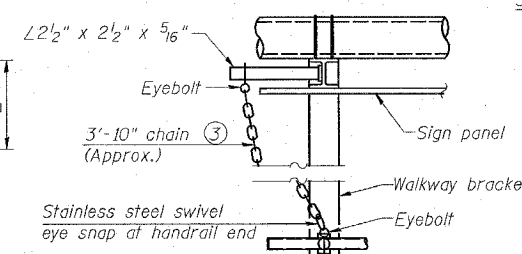


PLAN
DETAIL E HANDRAIL HINGE



PLAN AT HANDRAIL JOINT

Details not shown same as "PLAN"

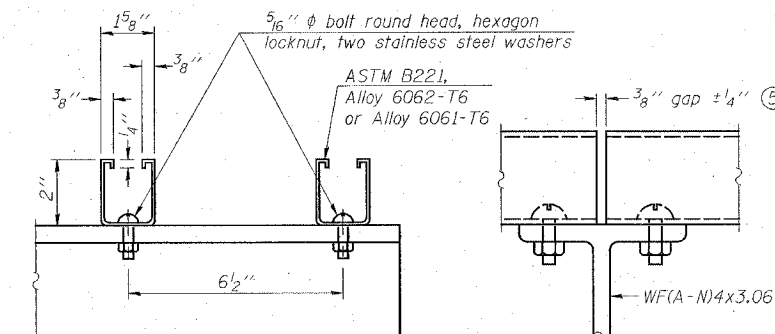


ALTERNATE SAFETY CHAIN ATTACHMENT

Details not shown similar to "Safety Chain" Details (Walkway omitted for clarity)

③ 3/16 inch Type 304L stainless steel chain, approximately 12 links per foot.

④ Extrusions may be used in lieu of the details shown, with approval of the Engineer.

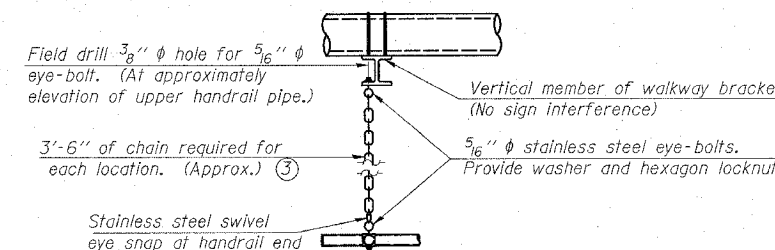


SECTION F-F

SECTION G-G

LIGHTING FIXTURE MOUNTS (IF REQUIRED)

⑤ Field cut ends of light support channels shall be free of burrs or hazardous projections and coated with zinc-rich primer or equivalent.



SAFETY CHAIN

One required for each end of each walkway.

**CANTILEVER SIGN STRUCTURES
HANDRAIL DETAILS
ALUMINUM TRUSS & STEEL POST**

**FAI ROUTE 70
SECTION 60-(10,11)RS
MADISON COUNTY**

JD Johnson, Depp & Quisenberry CONSULTING ENGINEERS Springfield, Illinois	
DESIGNED: CDB	DRAWN: SJS
CHECKED: DCD	CHECKED: CDB/DCD

NUMBER	REVISION	DATE

OSC-A-8 7/01/2006

DATE: 04/2006 USER: RUSER@ TIME: 08:58 FILE: 05FILES