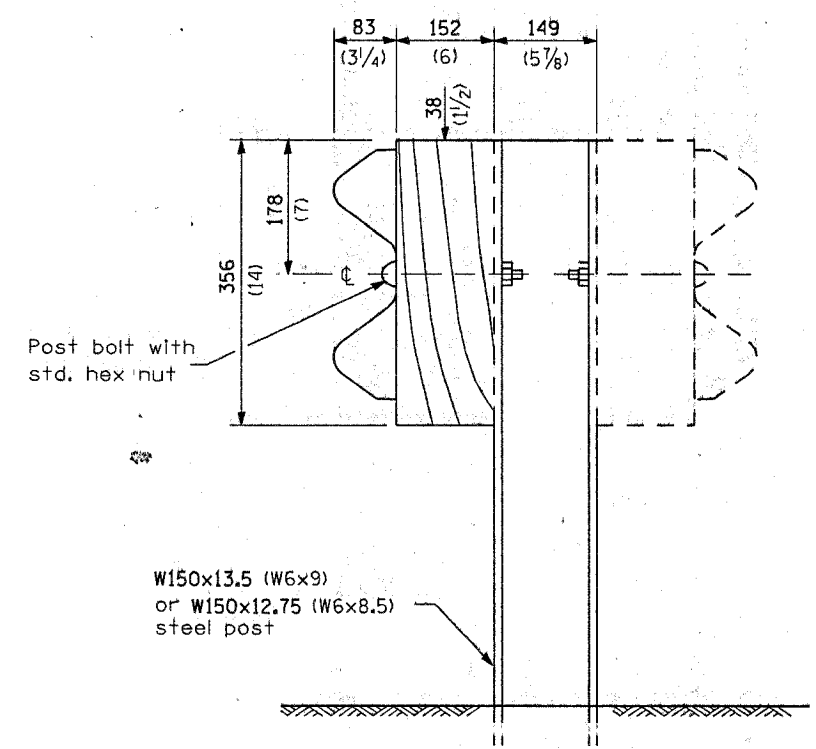
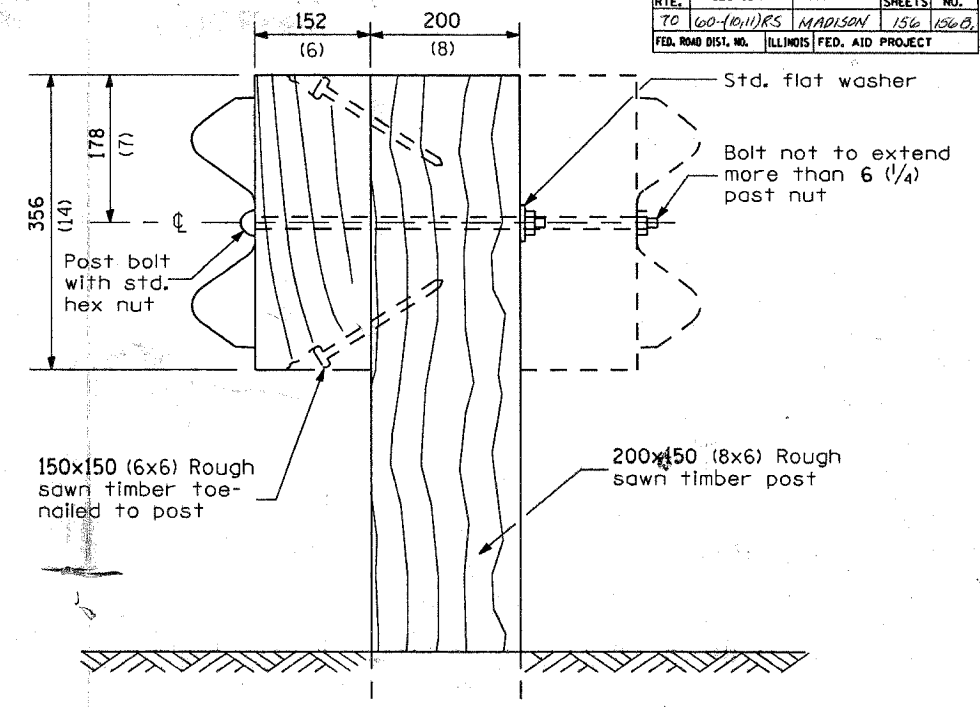


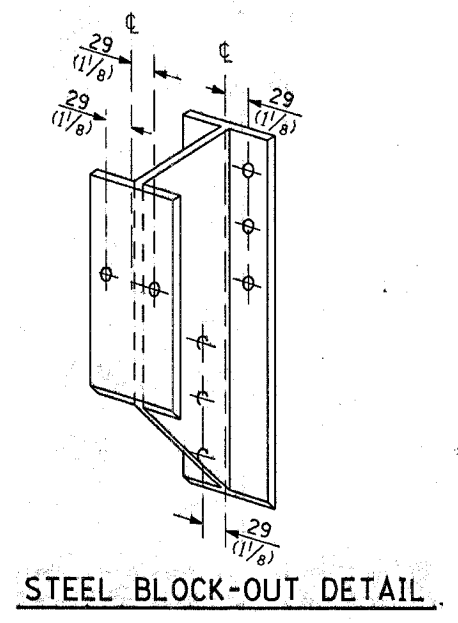
F.A. RTE.	SECTION	COUNTY	TOTAL SHEETS	SHEET NO.
TO	60-1011RS	MADISON	156	156B
FED. ROAD DIST. NO.	ILLINOIS FED. AID PROJECT			



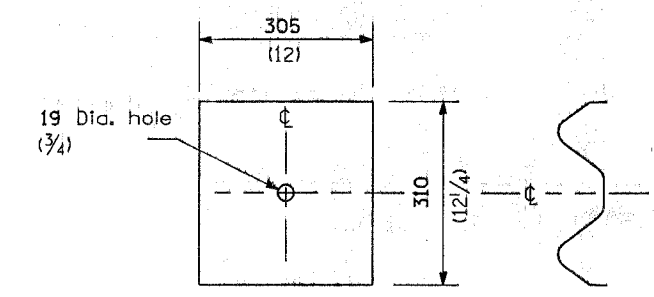
STEEL POST CONSTRUCTION



WOOD POST CONSTRUCTION

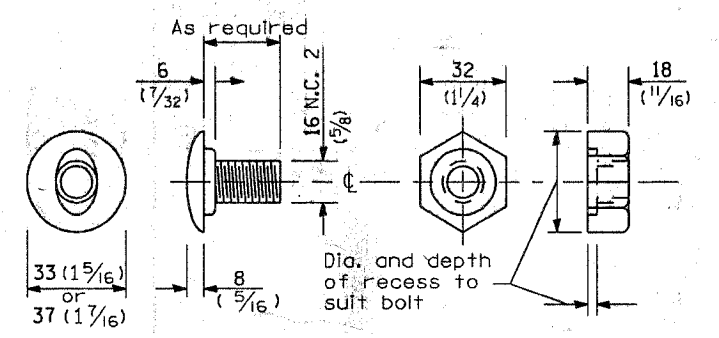


STEEL BLOCK-OUT DETAIL



NOTE
Plate A shall be placed between rail element and block-out at non-splice mounting points only when steel block-outs are used.

PLATE A



POST OR SPLICE BOLT & NUT

**REMOVE AND REERECT
STEEL PLATE BEAM GUARDRAIL**
(Sheet 2 of 4)
DETAIL