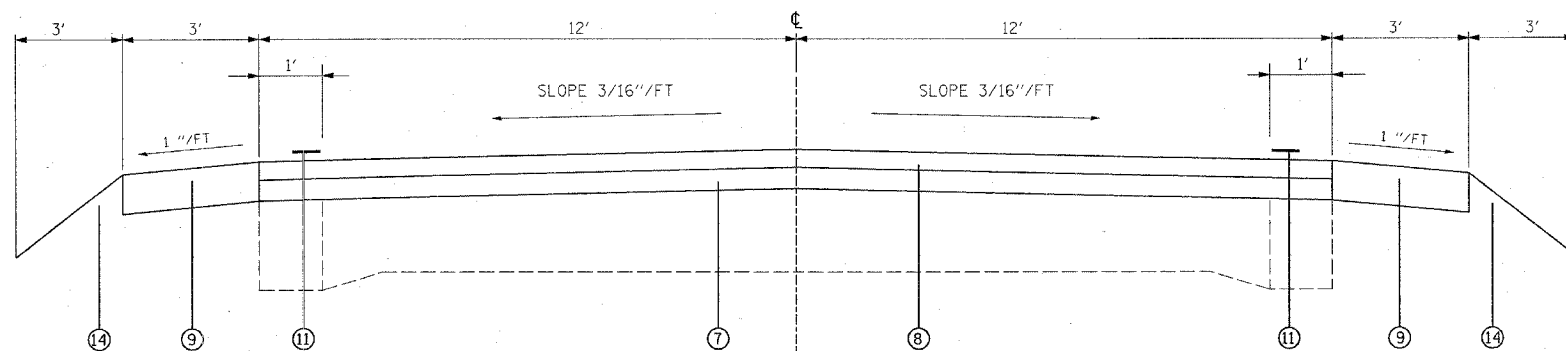


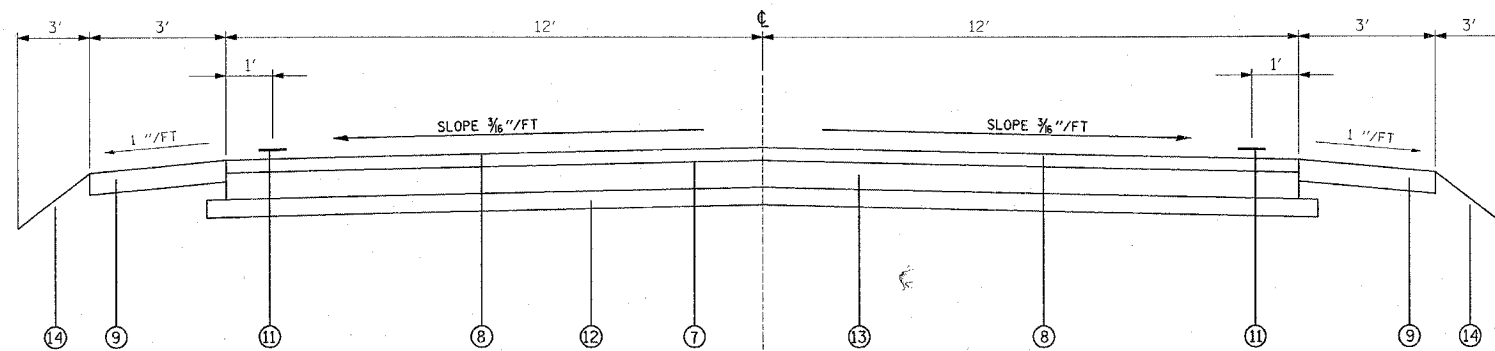
EXISTING TANGENT SECTION

CANAL # 1: STA. 426+56.34 TO STA. 429+99.91
 HARDING DITCH: STA. 435+93.16 TO STA. 436+73.16
 STA. 436+90.56 TO STA. 438+70.56



PROPOSED TANGENT SECTION

CANAL # 1: STA. 426+56.34 TO STA. 427+06.34
 STA. 429+49.91 TO STA. 429+99.91
 HARDING DITCH: STA. 435+93.16 TO STA. 436+73.16
 STA. 436+90.56 TO STA. 438+70.56



PROPOSED TANGENT SECTION

STA. 427+06.34 TO STA. 429+49.91

- LEGEND**
- ① EXISTING PAVEMENT 9-6-9
 - ② EXISTING BASE COURSE WIDENING, 8"
 - ③ EXISTING AGGREGATE SHOULDER
 - ④ EXISTING BITUMINOUS CONCRETE SURFACE COURSE, 1 1/2"
 - ⑤ EXISTING BINDER COURSE, 1 1/2"
 - ⑥ EXISTING PAVEMENT MARKING
 - ⑦ PROPOSED HOT-MIX ASPHALT MATERIALS (PRIME COAT)
 - ⑧ PROPOSED HOT-MIX ASPHALT SURFACE COURSE, SUPERPAVE, 1 1/2"
 - ⑨ PROPOSED HOT-MIX ASPHALT SHOULDER, TYPE B, 8" (CANAL #1)
 - ⑩ PROPOSED BITUMINOUS SURFACE REMOVAL, 1 1/2"
 - ⑪ PROPOSED PAVEMENT MARKING
 - ⑫ PROPOSED SUBBASE GRANULAR MATERIAL, TYPE B 12"
 - ⑬ PROPOSED HOT MIX ASPHALT BINDER COURSE, 12 1/4"
 - ⑭ PROPOSED AGGREGATE SHOULDER, TYPE B 6" (CANAL #1)

REVISIONS	
NAME	DATE

ILLINOIS DEPARTMENT OF TRANSPORTATION
TYPICAL SECTIONS
 FAP ROUTE 592 (IL 13/157)
 SECTION 28BR-2,3
 ST. CLAIR COUNTY

SCALE: VERT. _____
 HORIZ. _____
 DATE _____

DRAWN BY _____
 CHECKED BY _____

PLOT DATE = #DATE#
 FILE NAME = #FILE#
 PLOT SCALE = #SCALE#
 REFERENCE = #REF#