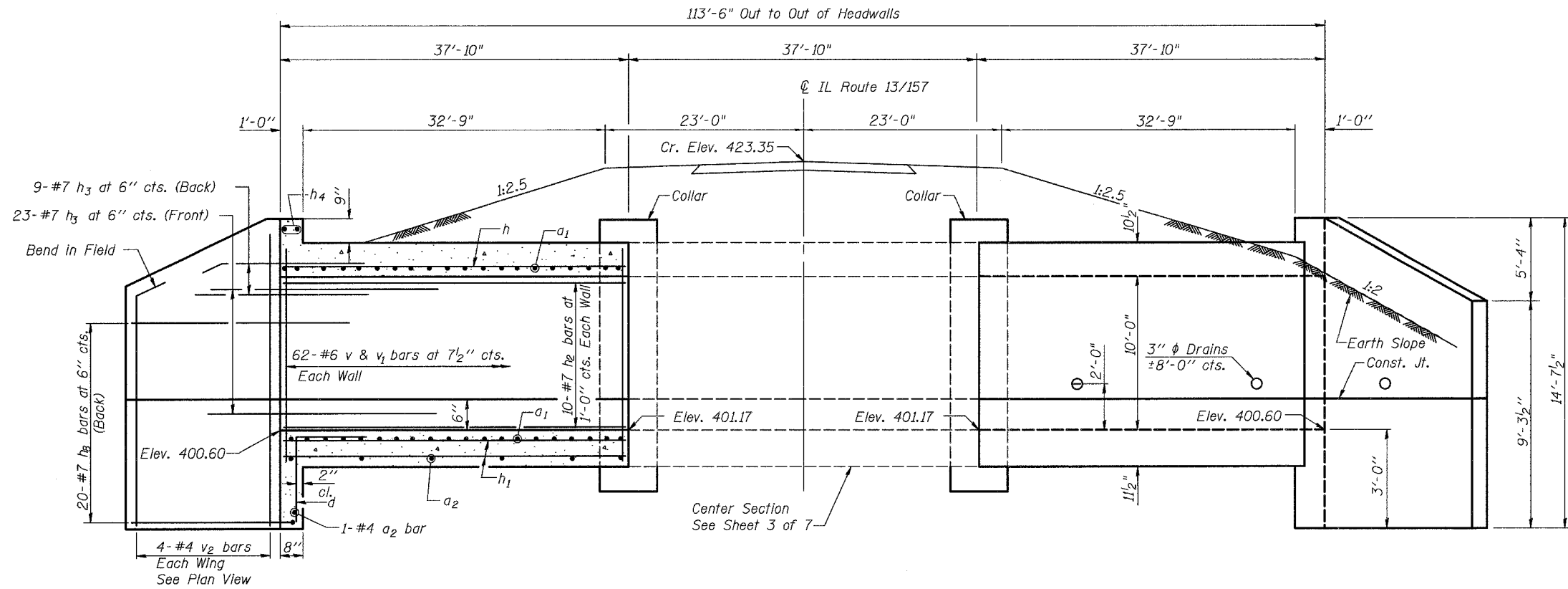


STATE OF ILLINOIS
DEPARTMENT OF TRANSPORTATION

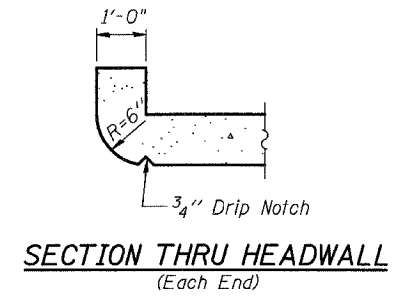
ROUTE NO.	SECTION	COUNTY	TOTAL SHEETS	SHEET NO.	SHEET NO. 2 7 SHEETS
FAP 592	2BBR-2 2BBR-3	ST. CLAIR	51	25	
FED. ROAD DIST. NO. 7	ILLINOIS	FED. AID PROJECT			

Contract #76904

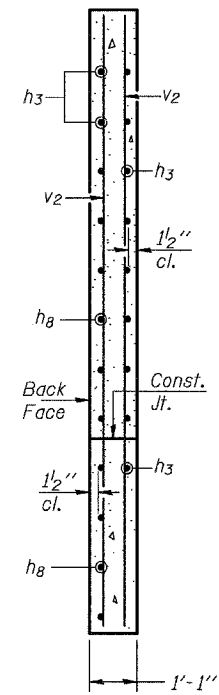


LONG. SECTION- END SECTIONS
(Similar each End Section)

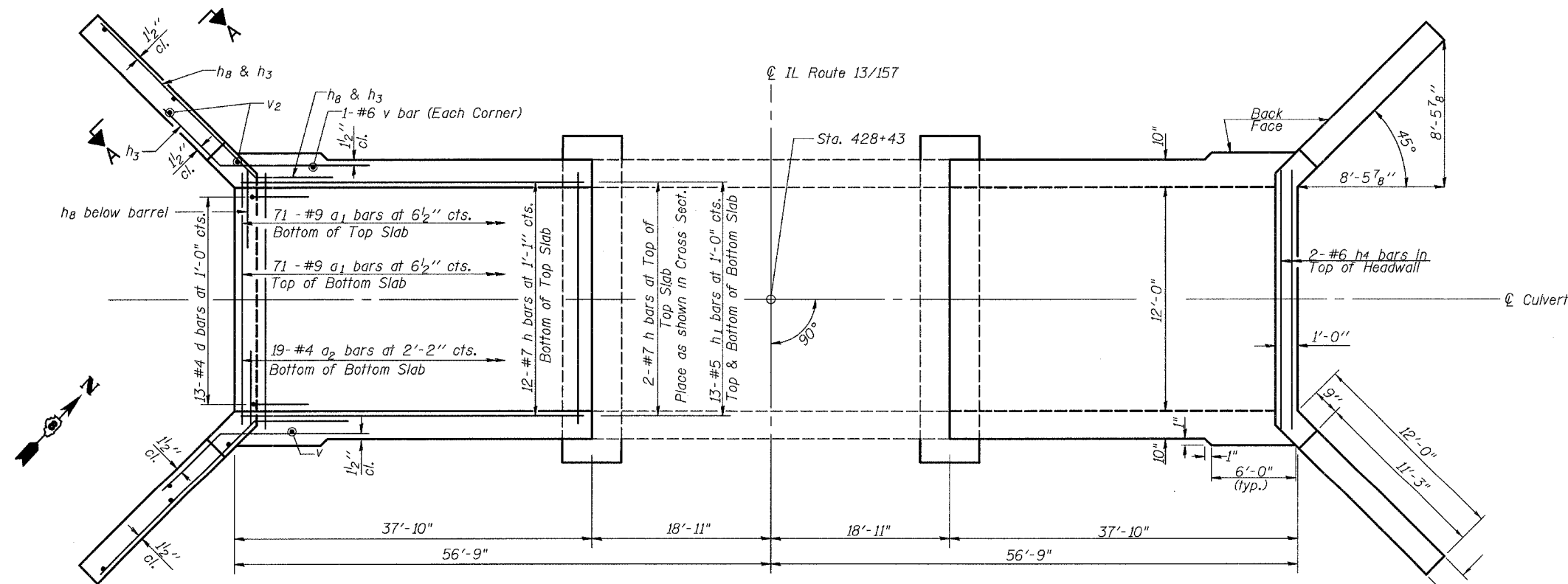
ELEVATION- END SECTIONS
(Similar each End Section)



SECTION THRU HEADWALL
(Each End)



SECTION A-A



SHOWING REINFORCEMENT
(Similar each End Section)

SHOWING OUTLINES
(Similar each End Section)

PLAN- END SECTIONS

Notes:

- ① A distance of half the length of the wingwall but not less than six feet of the barrel shall be poured monolithically with the wingwalls.
- ② See Sheet 3 of 7 for Section Thru Barrel, Bar List and Bill of Materials.

CULVERT DETAILS
IL ROUTE 13/157 OVER CANAL NO. 1
ST. CLAIR COUNTY
STA. 428+43
STRUCTURE NO. 082-2568