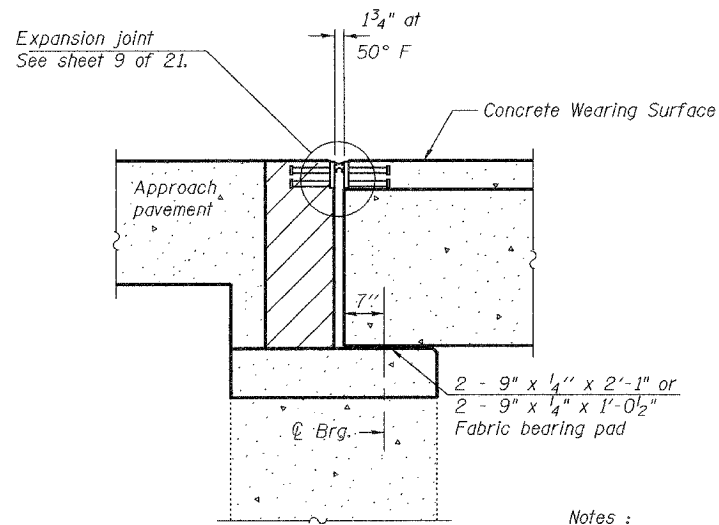


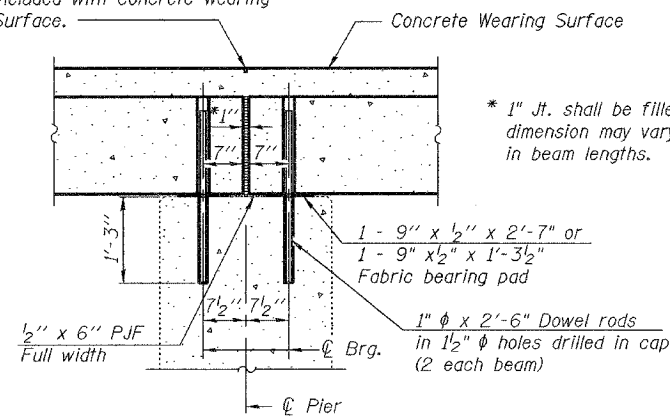
STATE OF ILLINOIS  
DEPARTMENT OF TRANSPORTATION

|                       |          |                  |              |           |             |
|-----------------------|----------|------------------|--------------|-----------|-------------|
| ROUTE NO.             | SECTION  | COUNTY           | TOTAL SHEETS | SHEET NO. | SHEET NO. 4 |
| F.A.P. 592            | 28BR-2   | ST. CLAIR        | 51           | 34        | 21 SHEETS   |
| FED. ROAD DIST. NO. 7 | ILLINOIS | FED. AID PROJECT |              |           |             |



SECTION THRU ABUTMENTS

1/4" wide x 3/4" deep Formed joint with concrete sealer without the backer rod (full width). Cost included with Concrete Wearing Surface.



SECTION THRU PIERS

Notes :

Ends of beams shall be aligned at the expansion joints. Any lineal variation in the beam lengths shall be placed at the fixed joints.

After beams have been erected, temporary retainers shall be installed, holes for dowel rods shall be drilled into substructure and dowel rods placed. Dowel holes shall be filled with non-shrink grout to top of beam and allowed to cure a minimum of 24 hrs prior to grouting the shear keys.

Concrete wearing surface to be poured after grouting the shear keys.

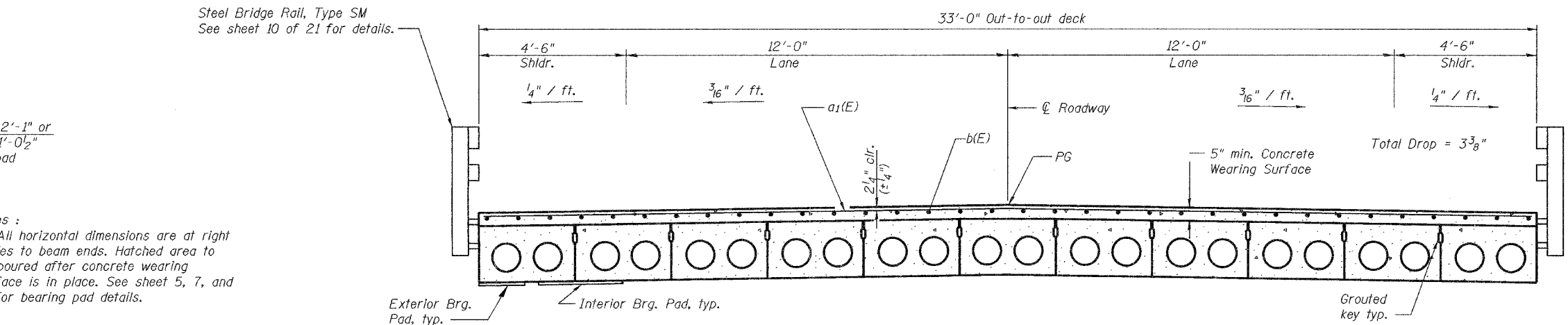
Hatched area to be poured after concrete wearing surface (including blackout) is in place. Quantity included with Concrete Structures on sheets 16 and 17 of 21.

See sheets 5, 6, and 7 of 21 for bearing pad details.

Dowel rods drilled in cap are included in the cost of Precast Prestressed Concrete Deck Beams (17" Depth).

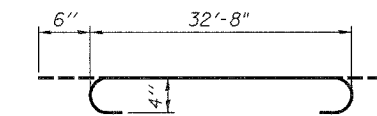
Notes :

All horizontal dimensions are at right angles to beam ends. Hatched area to be poured after concrete wearing surface is in place. See sheet 5, 7, and 18 for bearing pad details.



11 - 17" x 36" Precast Prestressed Concrete Deck Beams = 33'-0"

CROSS SECTION

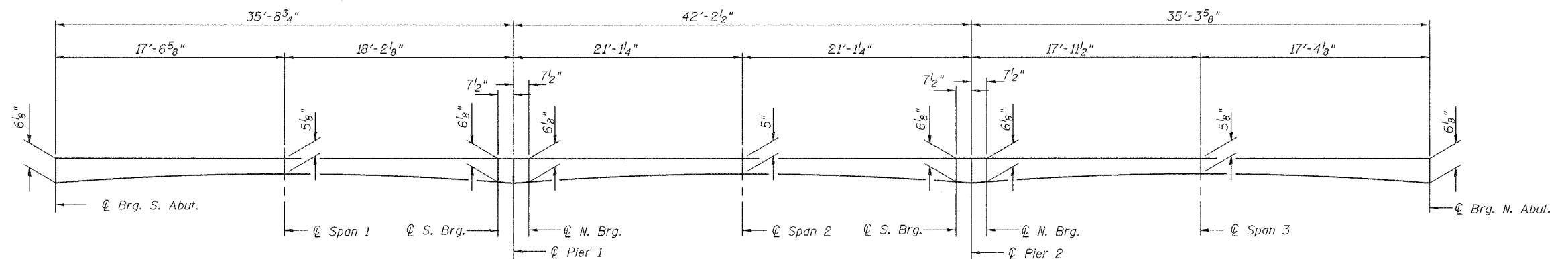


BAR a1(E)

SUPERSTRUCTURE  
BILL OF MATERIAL

| Bar                              | No. | Size | Length  | Shape |
|----------------------------------|-----|------|---------|-------|
| a1(E)                            | 115 | #4   | 33'-8"  |       |
| b(E)                             | 136 | #4   | 30'-0"  |       |
| Reinforcement Bars, Epoxy Coated |     |      | Pound   | 5310  |
| Concrete Wearing Surface, 5"     |     |      | Sq. Yd. | 420   |

Reinforcement bars designated (E) shall be epoxy coated.



Note:

The depth of Concrete Wearing Surface at centerline of roadway over level deck beam is 9/16" higher.

REINFORCED CONCRETE WEARING SURFACE PROFILE @ EDGE OF DECK

(Concrete wearing surface at blackout at expansion end of beams not shown.)

|          |     |
|----------|-----|
| DESIGNED | ADL |
| CHECKED  | WLW |
| DRAWN    | RJP |
| CHECKED  | ADL |

SUPERSTRUCTURE DETAILS  
F.A.P. ROUTE 592 - SECTION 28BR-2  
ST. CLAIR COUNTY  
STATION 437+31.90  
STRUCTURE NO. 082-0212