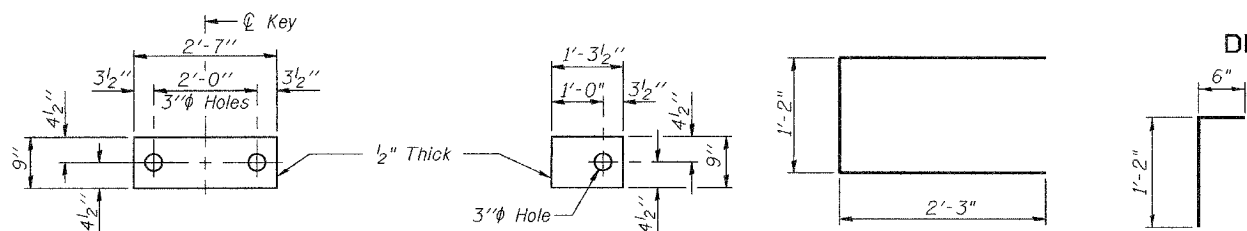


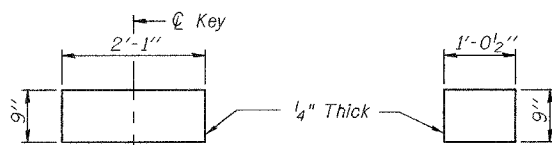
STATE OF ILLINOIS
DEPARTMENT OF TRANSPORTATION

ROUTE NO.	SECTION	COUNTY	TOTAL SHEETS	SHEET NO.	SHEET NO. 5 21 SHEETS
F.A.P. 592	28BR-2	ST. CLAIR	51	35	
FED. ROAD DIST. NO. 7	ILLINOIS	FED. AID PROJECT			



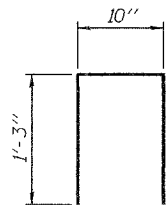
FABRIC BEARING PAD (Interior)
FABRIC BEARING PAD (Exterior)

FIXED

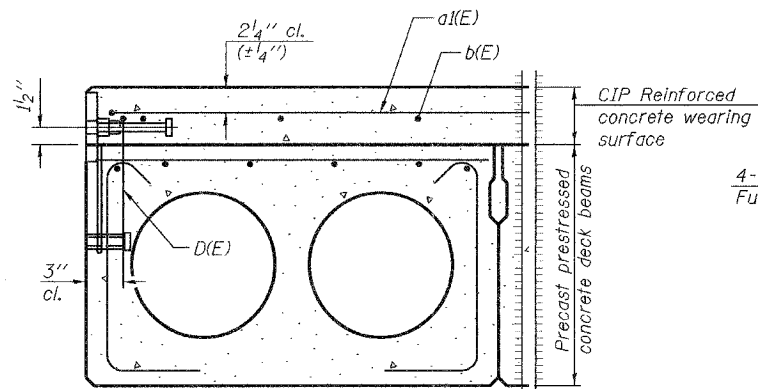


FABRIC BEARING PAD (Interior)
FABRIC BEARING PAD (Exterior)

EXPANSION

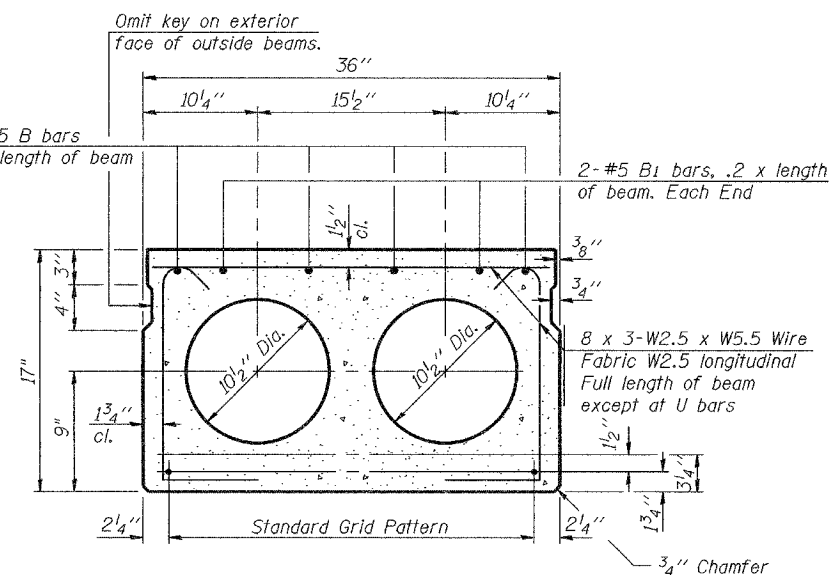


BAR D(E)



SECTION THRU EXTERIOR BEAMS

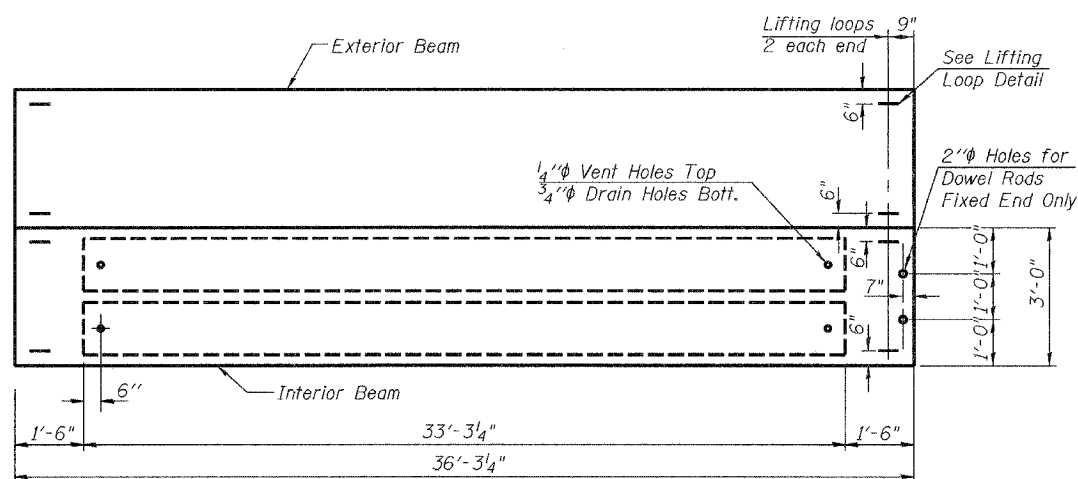
See Section Thru Interior Beams for strand pattern, dimensions and bar call outs.



SECTION THRU INTERIOR BEAMS

1/2"φ Strands, Each Strand Stressed to 30,900 Lbs.
9-Strands 1 3/4" up, 4-Strands 3 1/4" up, 2-Strands 12" up

Note:
Place strands symmetrically about center of beam.



PLAN

NOTES

Prestressing steel shall be uncoated high strength, low relaxation 7-wire strand, Grade 270.

The nominal diameter shall be 1/2" and the nominal cross-sectional area shall be 0.153 sq. in.

Lifting loops shall be 2 - 1/2"φ-270 ksi strands, as shown.

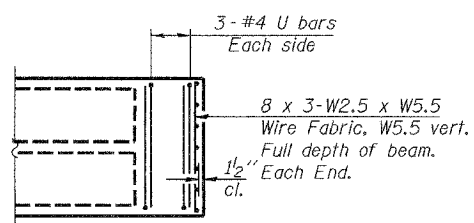
Non prestressing steel shall conform to ASTM A 706 (IL MOD), Grade 60.

The bearing seat surfaces shall be adjusted by shimming to assure firm and even bearing. Two 1/8" fabric adjusting shims of the dimensions of the Exterior Bearing Pad shall be provided for each bearing.

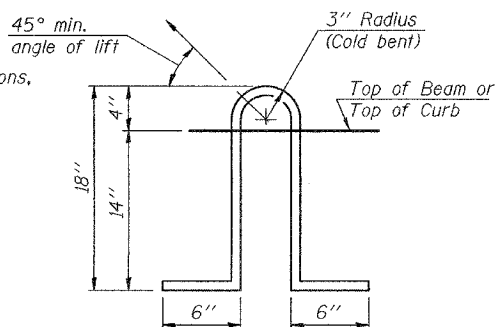
Keyway surfaces shall be cleaned to remove form oil or other bond breaking material prior to shipment of the beams. Cleaning shall be done by sandblasting the keyway areas between top of the beam and the bottom edge of the key. Corrosion Inhibitor, per Articles 1020.05(b)(12) & 1021.06 of the Standard Specifications, shall be used in the concrete for precast prestressed concrete deck beams.

Required Release Strength, f'ci, shall be 4000 p.s.i.

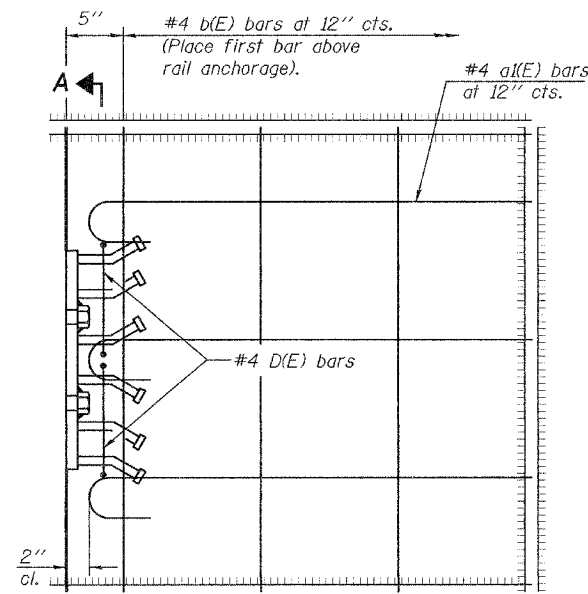
See sheet 10 of 21 for location of rail inserts.



END OF BEAM - PLAN (Fixed end)



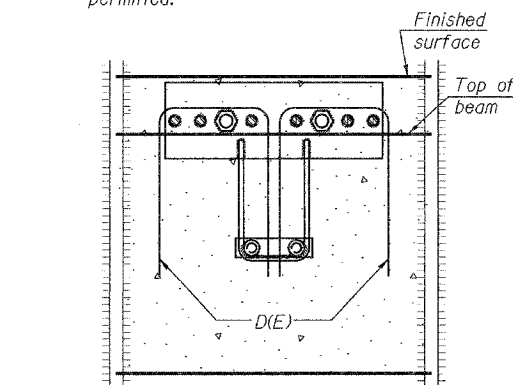
LIFTING LOOP DETAIL



PLAN

Notes:

The rail anchorage shall be cast with the beam and the wearing surface shall be cast in the field. Formwork necessary for the wearing surface may be secured utilizing the bottom rail anchorage inserts and/or additional inserts cast into the beam. Drilling into the beam will not be permitted.



SECTION A-A

BILL OF MATERIAL

Precast Prestressed Concrete Deck Beams (17" Depth)	Sq. Ft.	1197.0
---	---------	--------

SUPERSTRUCTURE DETAILS

SPAN 1

F.A.P. ROUTE 592 - SECTION 28BR-2

ST. CLAIR COUNTY

STATION 437+31.90

STRUCTURE NO. 082-0212

DESIGNED	ADL
CHECKED	WLW
DRAWN	RJP
CHECKED	ADL

DATE

FILE