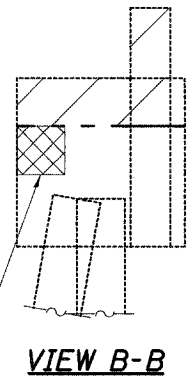
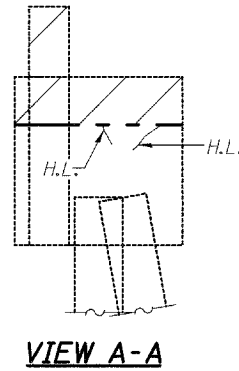
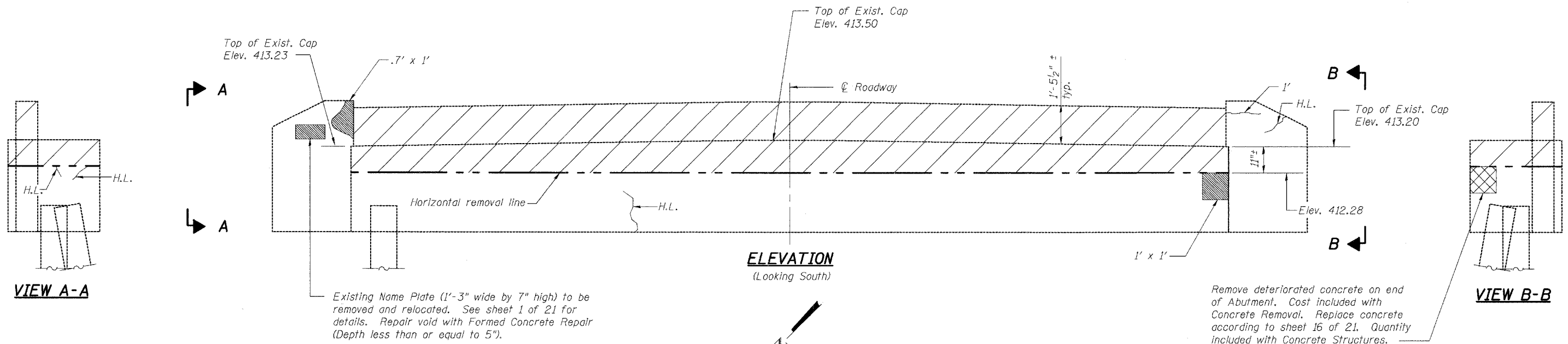


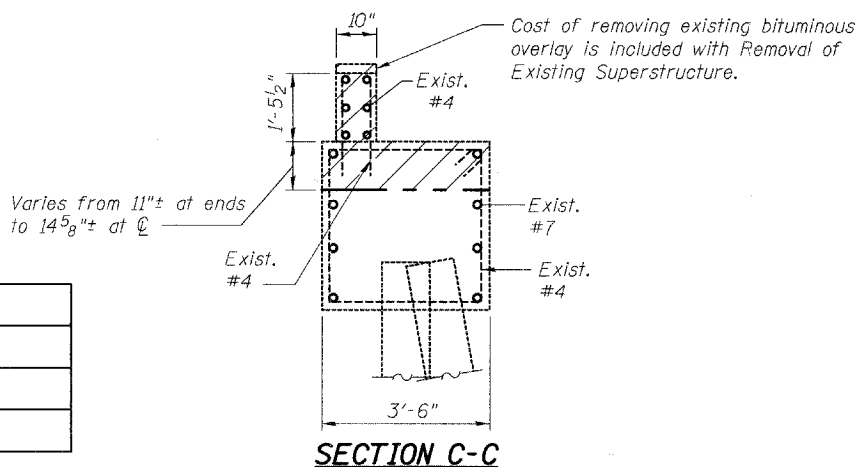
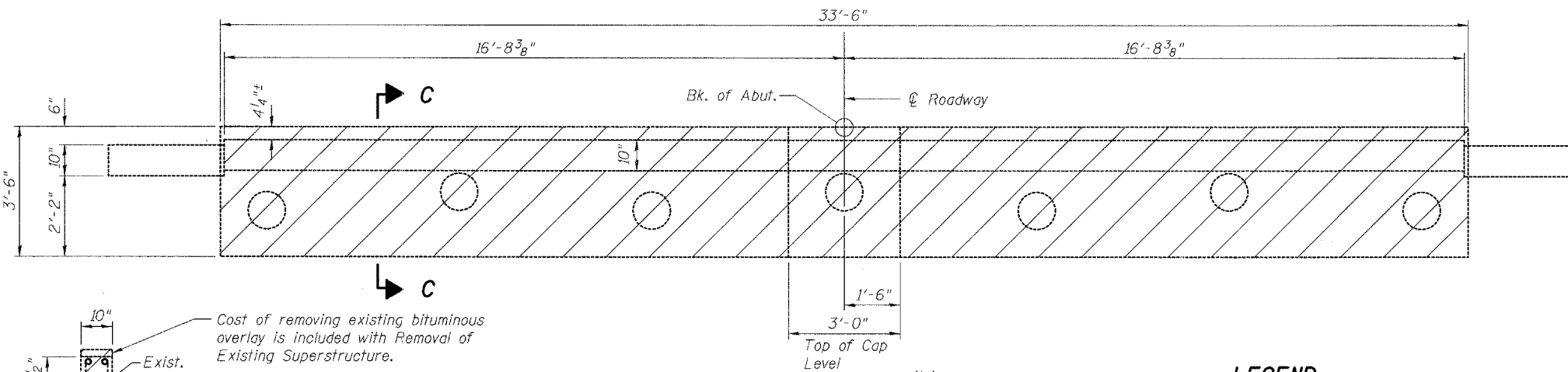
STATE OF ILLINOIS
DEPARTMENT OF TRANSPORTATION

ROUTE NO.	SECTION	COUNTY	TOTAL SHEETS	SHEET NO.	SHEET NO. 11 21 SHEETS
F.A.P. 592	28BR-2	ST. CLAIR	51	41	
FED. RDG DIST. NO. 7	ILLINOIS	FED. AID PROJECT			



Existing Name Plate (1'-3" wide by 7" high) to be removed and relocated. See sheet 1 of 21 for details. Repair void with Formed Concrete Repair (Depth less than or equal to 5").

Remove deteriorated concrete on end of Abutment. Cost included with Concrete Removal. Replace concrete according to sheet 16 of 21. Quantity included with Concrete Structures.



PLAN

Note:
*Only cracks equal to or wider than 1/8" shall be sealed with "Epoxy Crack Sealing"

LEGEND

Formed Concrete Repair (Depth equal to or less than 5")

Concrete Removal

* 6' Epoxy Crack Sealing

H.L. Hairline Crack - Not to be sealed

Note: Crack widths are 1/8" ± 1/16" unless otherwise noted.

BILL OF MATERIAL

Item	Unit	Total
Concrete Removal	Cu. Yd.	6.2
* Epoxy Crack Sealing	Foot	1
* Structural Repair of Concrete (Depth equal to or less than 5 in.)	Sq. Ft.	2.5

DESIGNED	ADL
CHECKED	WLW
DRAWN	RJP
CHECKED	ADL

CONCRETE REMOVAL AND REPAIRS
SOUTH ABUTMENT
F.A.P. ROUTE 592 - SECTION 28BR-2
ST. CLAIR COUNTY
STATION 437+31.90
STRUCTURE NO. 082-0212

6/13/2006

p:\02\files\020409\020409-22_w0_No11_IL13-157\SN_0820212.dgn