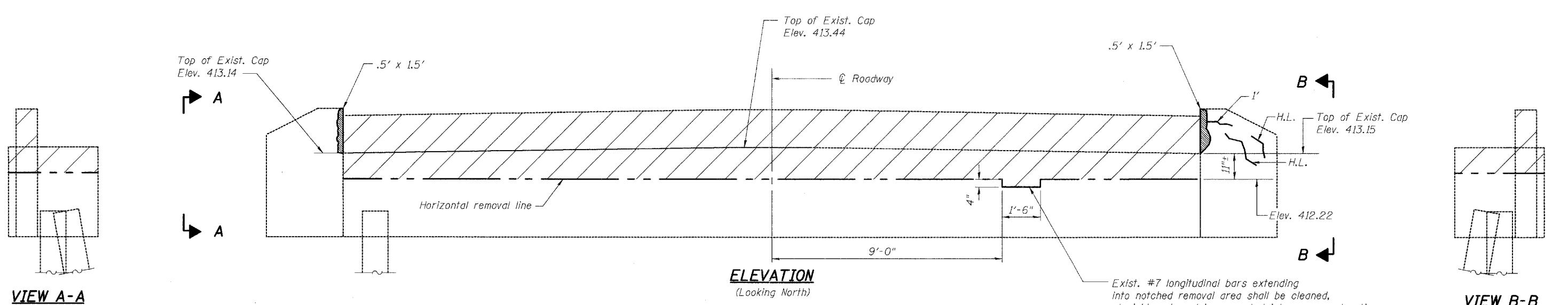


STATE OF ILLINOIS  
DEPARTMENT OF TRANSPORTATION

ROUTE NO.	SECTION	COUNTY	DIST. SHEET'S	SHEET NO.	SHEET NO. 12 21 SHEETS
F.A.P. 592	28BR-2	ST. CLAIR	51	42	
FED. ROAD DIST. NO. 7	ILLINOIS	FED. AID PROJECT			

6/13/2006

p:\0221\es\020409\020409-22 w0 No11 IL13-157\SN 0920212.dgn

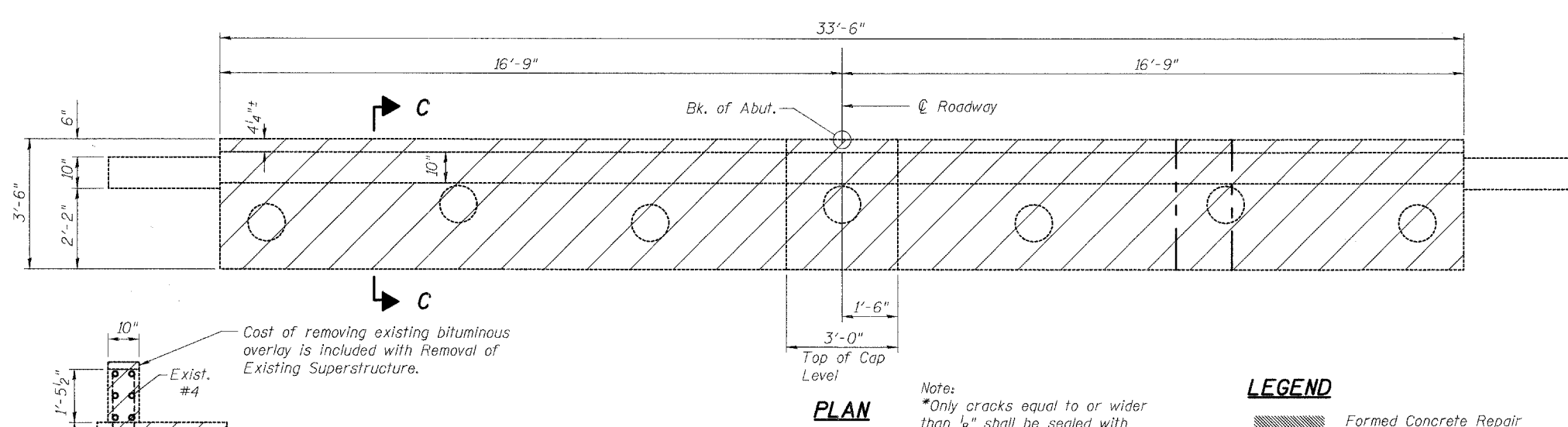


VIEW A-A

VIEW B-B

ELEVATION  
(Looking North)

Exist. #7 longitudinal bars extending into notched removal area shall be cleaned, straightened, and incorporated into new construction. Any reinforcement bars that are damaged during concrete removal shall be replaced with an approved bar splicer or anchorage system. Cast shall be included with Concrete Removal.

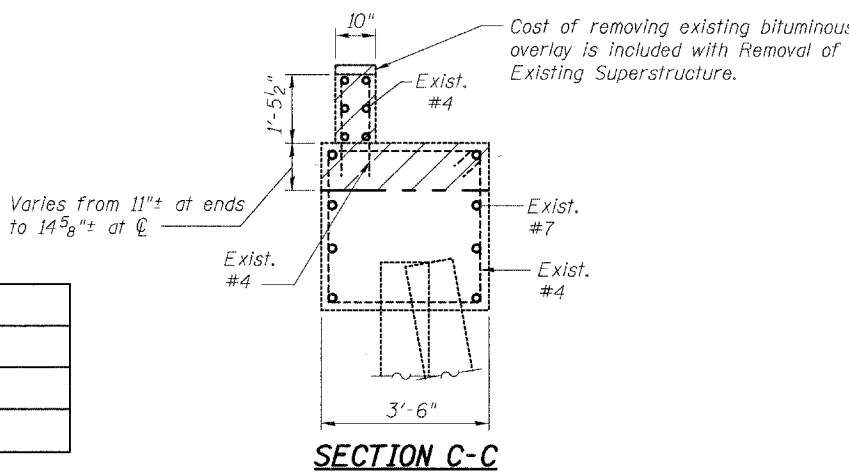


PLAN

Note:  
\*Only cracks equal to or wider than 1/8" shall be sealed with "Epoxy Crack Sealing"

- LEGEND**
- Formed Concrete Repair (Depth equal to or less than 5")
  - Concrete Removal
  - \* 6' Epoxy Crack Sealing
  - H.L. Hairline Crack - Not to be sealed

Note: Crack widths are 1/8" ± 1/16" unless otherwise noted.



SECTION C-C

DESIGNED	ADL
CHECKED	WLW
DRAWN	RJP
CHECKED	ADL

**BILL OF MATERIAL**

Item	Unit	Total
Concrete Removal	Cu. Yd.	6.3
Epoxy Crack Sealing	Foot	1
Structural Repair of Concrete (Depth equal to or less than 5 in.)	Sq. Ft.	1.5

**CONCRETE REMOVAL AND REPAIRS  
NORTH ABUTMENT  
F.A.P. ROUTE 592 - SECTION 28BR-2  
ST. CLAIR COUNTY  
STATION 437+31.90  
STRUCTURE NO. 082-0212**