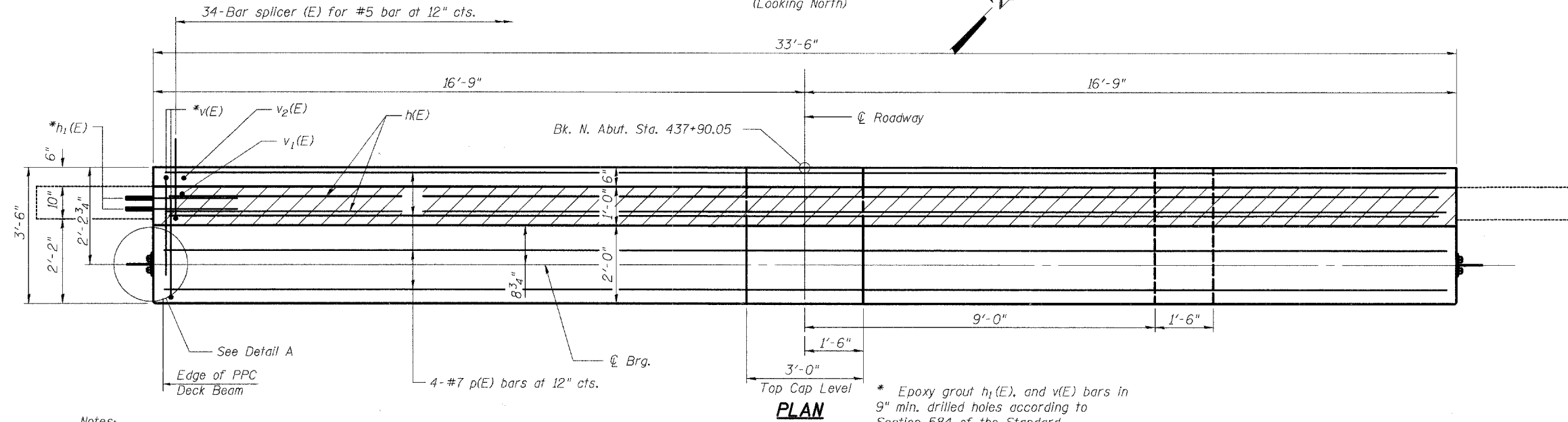
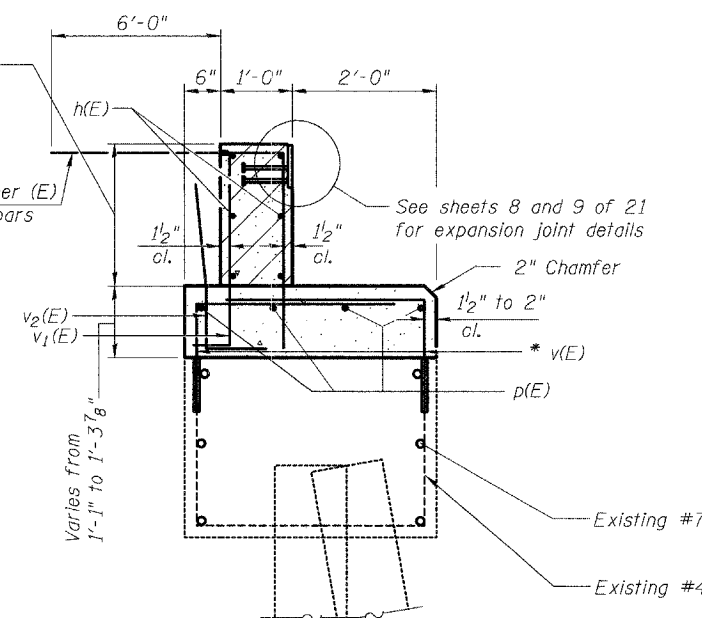
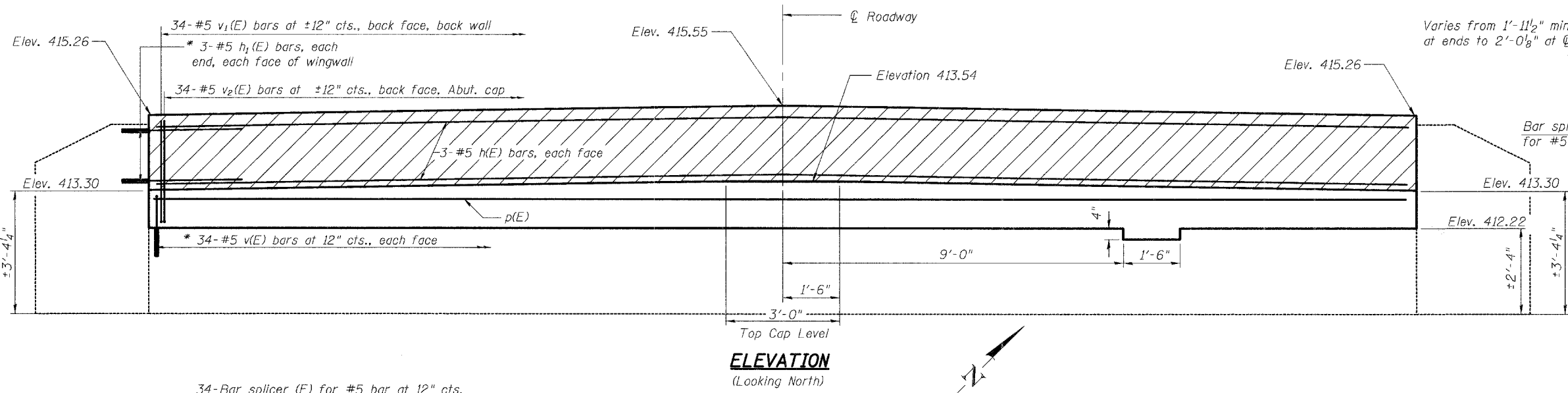


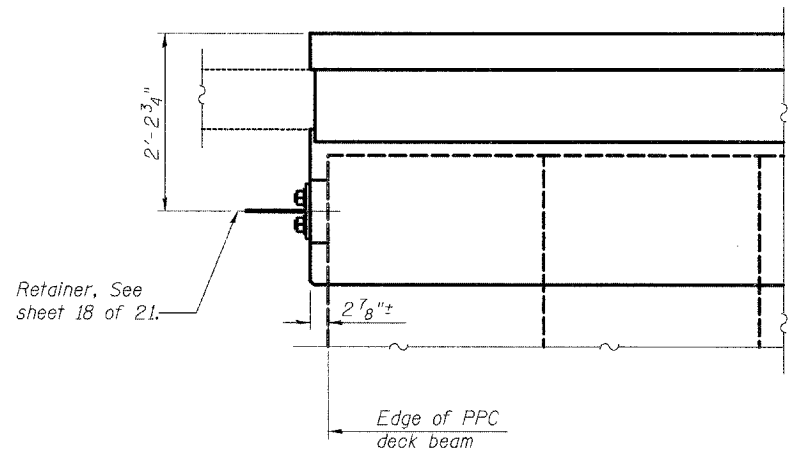
STATE OF ILLINOIS
DEPARTMENT OF TRANSPORTATION

ROUTE NO.	SECTION	COUNTY	TOTAL SHEETS	SHEET NO.	SHEET NO. 17 21 SHEETS
F.A.P. 592	28BR-2	ST. CLAIR	51	47	
FED. ROAD DIST. NO. 7		ILLINOIS	FED. AID PROJECT		



* Epoxy grout h₁(E), and v(E) bars in 9" min. drilled holes according to Section 584 of the Standard Specifications.

Notes:
Hatched area to be poured after Concrete Wearing Surface (including blackout) is in place and cured. Quantity of concrete included with Concrete Structures.
Install Retainers and temporary wedges after beams are in place and before wearing surface is poured.
Cost of Retainers, Temporary wedges and accessories are included with Precast Prestressed Concrete Deck Beams (17" Depth).
After concrete wearing surface (including blackout) is poured and cured, the temporary wedges shall be removed. The Retainers with no wedges shall remain. Cost included with Precast Prestressed Concrete Deck Beams (17" Depth).
For details of Bar Splicers, see sheet 21 of 21.
See sheet 18 of 21 for Bend Details of Bars.



BILL OF MATERIAL

Bar	No.	Size	Length	Shape
h(E)	6	#5	33'-2"	—
h ₁ (E)	12	#5	3'-2"	—
p(E)	4	#7	33'-2"	—
v(E)	68	#5	4'-3"	—
v ₁ (E)	34	#5	3'-6"	—
v ₂ (E)	34	#5	3'-4"	—
Bar Splicers			Each	34
Concrete Structures			Cu. Yd.	7.8
Reinforcement Bars, Epoxy Coated			Pound	1060

Reinforcement bars designated (E) shall be epoxy coated.

DESIGNED	ADL
CHECKED	WLW
DRAWN	RJP
CHECKED	ADL

NORTH ABUTMENT
F.A.P. ROUTE 592 - SECTION 28BR-2
ST. CLAIR COUNTY
STATION 437+31.90
STRUCTURE NO. 082-0212

DETAIL A