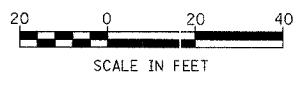
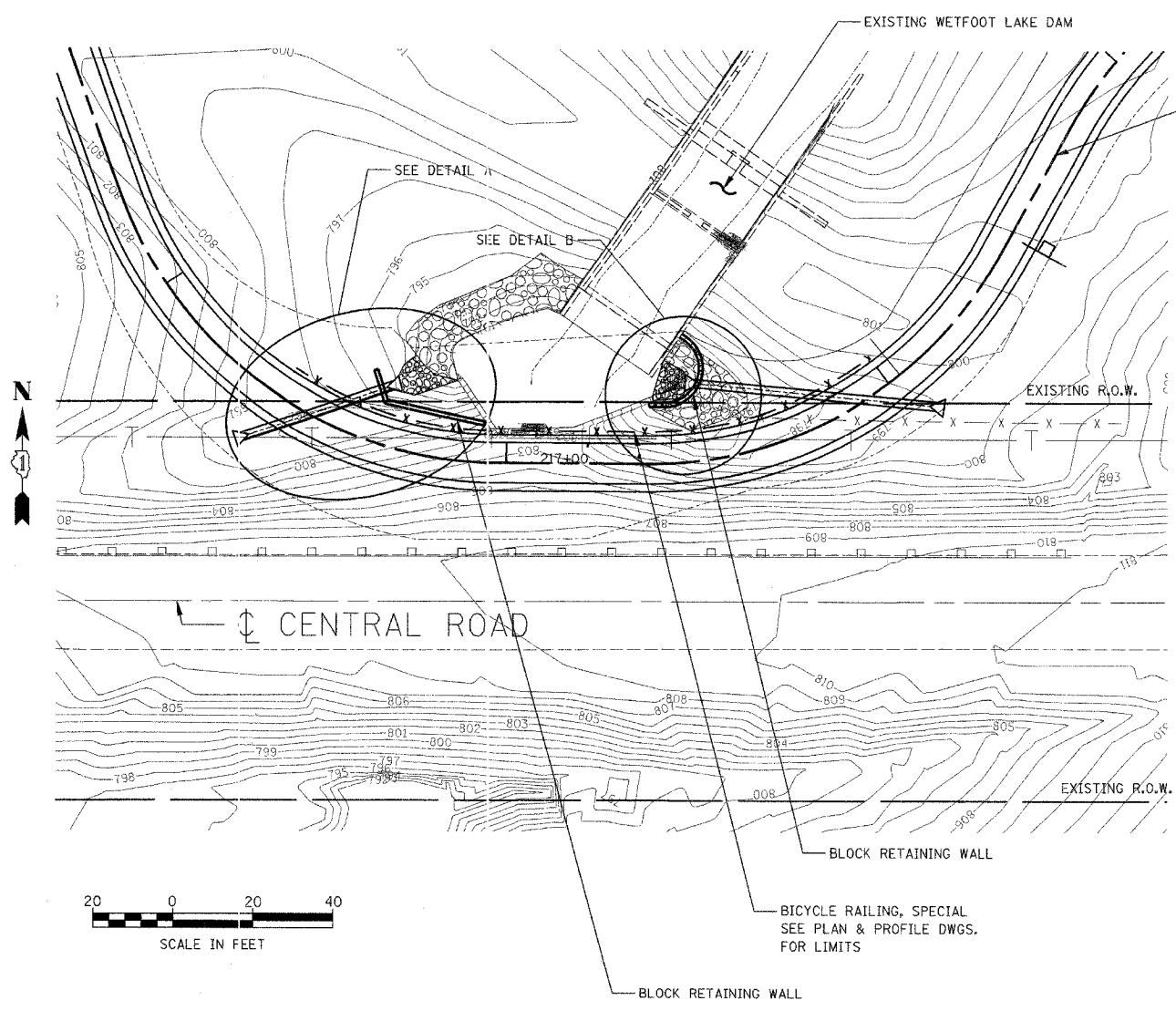
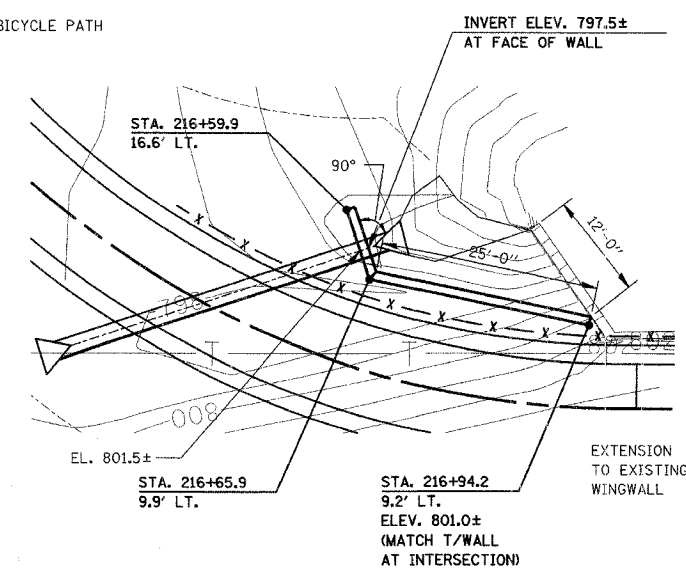


F&E	SECTION	COUNTY	TOTAL SHEETS	SHEET NO.
94-F3000-06-BT	COOK	105	42	
STA.	TO STA.			
FED. ROAD DIST. NO.	PROJECT	83709	STPE-DC01(479)	

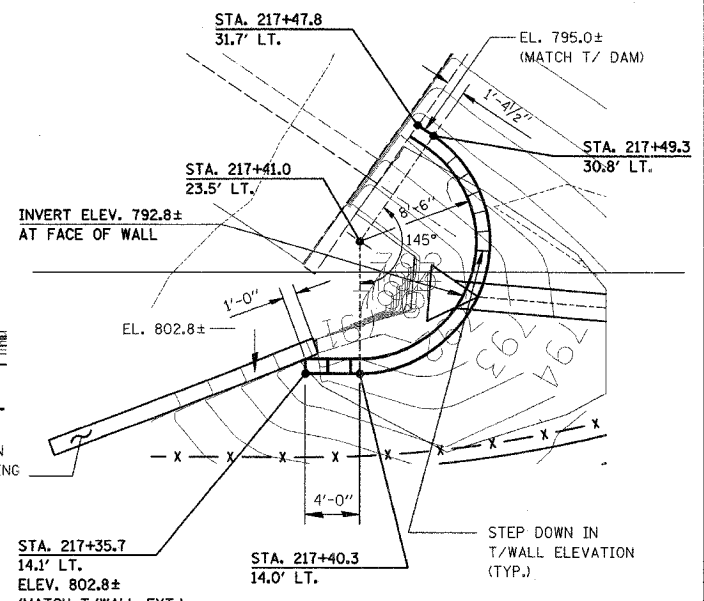


NOTES:

- EXISTING CONDITION CONTOURS SHOWN ARE FOR REFERENCE ONLY.
- ALL ELEVATIONS ARE APPROXIMATE.
- PLAN VIEWS SHOWS BOTTOM OF WALLS.
- SEE SHEET 43 FOR BLOCK RETAINING WALL DETAILS
- SEE SHEET 44 FOR WINGWALL EXTENSION DETAILS
- SEE PLAN & PROFILE DRAWINGS FOR MORE DETAILS
- STATIONS AND OFFSETS ARE TO BACK FACE OF WALL, AND TOP OF LEVELING PAD

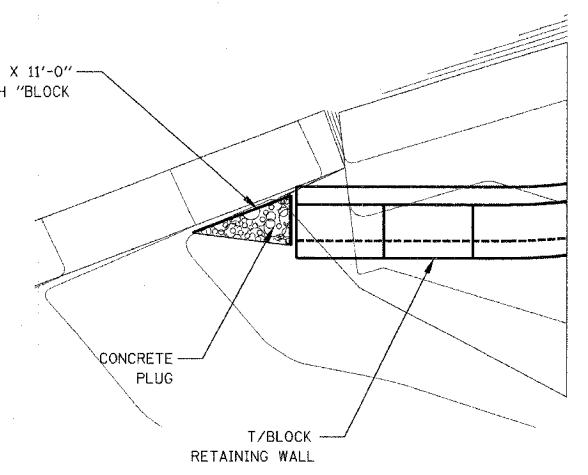


DETAIL A

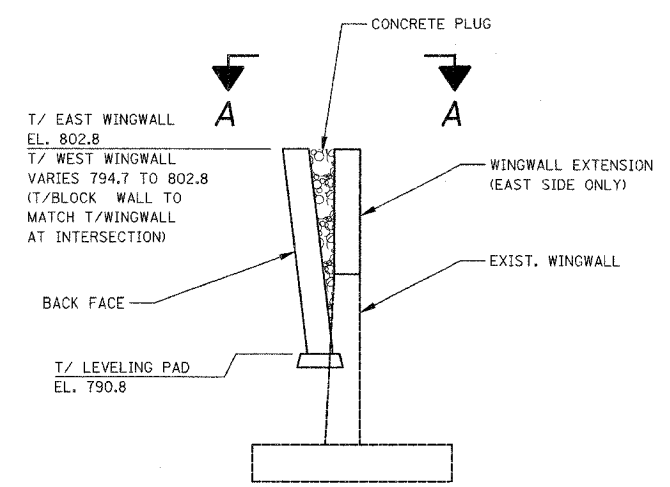


DETAIL B

BENT # 1/16" X 3'-0" X 11'-0"
(COST INCLUDED WITH "BLOCK
RETAINING WALL")
(LONG LEG AGAINST
WINGWALL)



VIEW A-A



**TYPICAL JOINT BETWEEN EXIST. WINGWALLS
& BLOCK RETAINING WALL**
(EAST SIDE SHOWN WEST SIDE SIMILAR)

ILLINOIS DEPARTMENT OF TRANSPORTATION
DISTRICT NO. 1 SCHAUMBURG

**WETFOOT DAM
RETAINING WALL PLAN**

SCALE AS NOTED
DATE 04/06/06

DRAWN BY BSB
CHECKED BY SMH