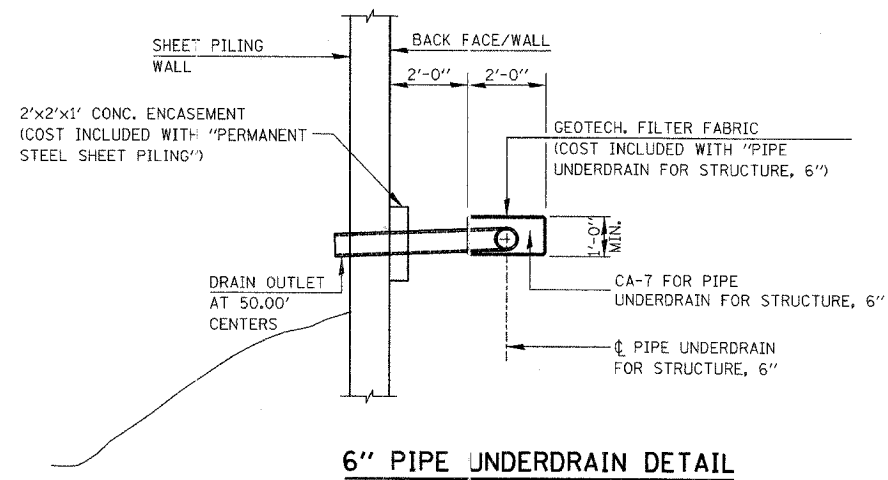
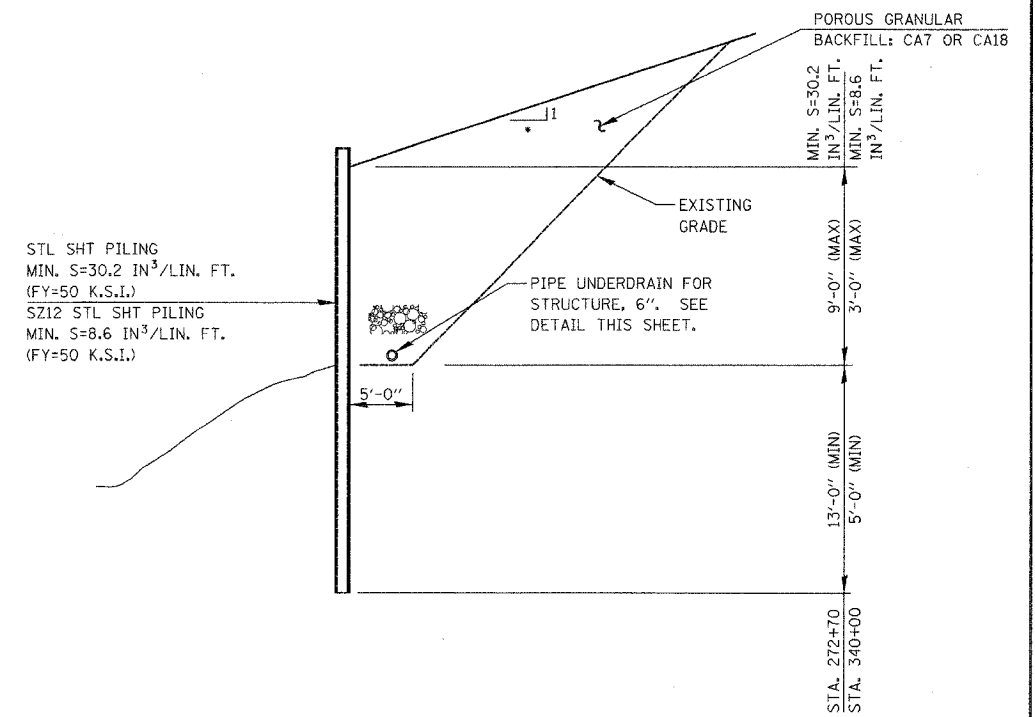
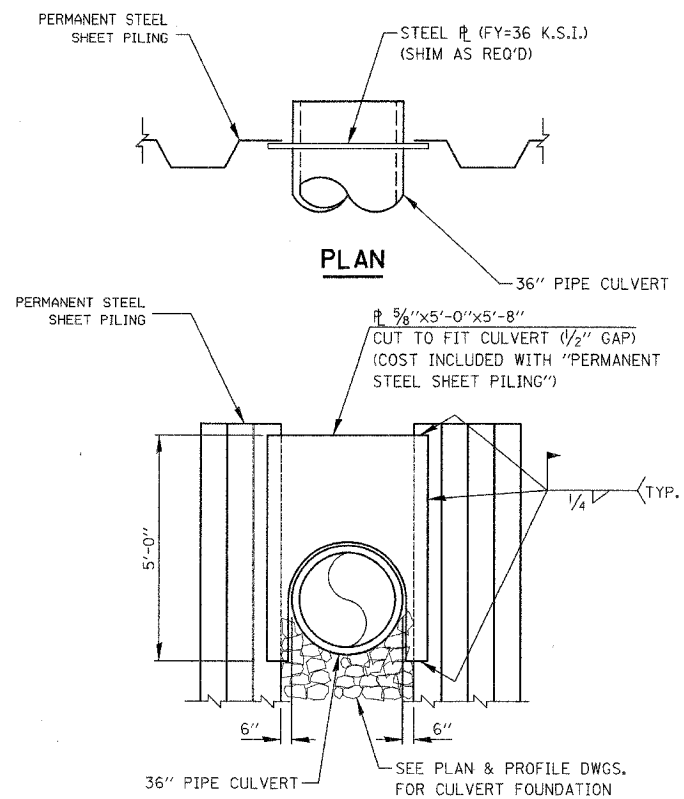
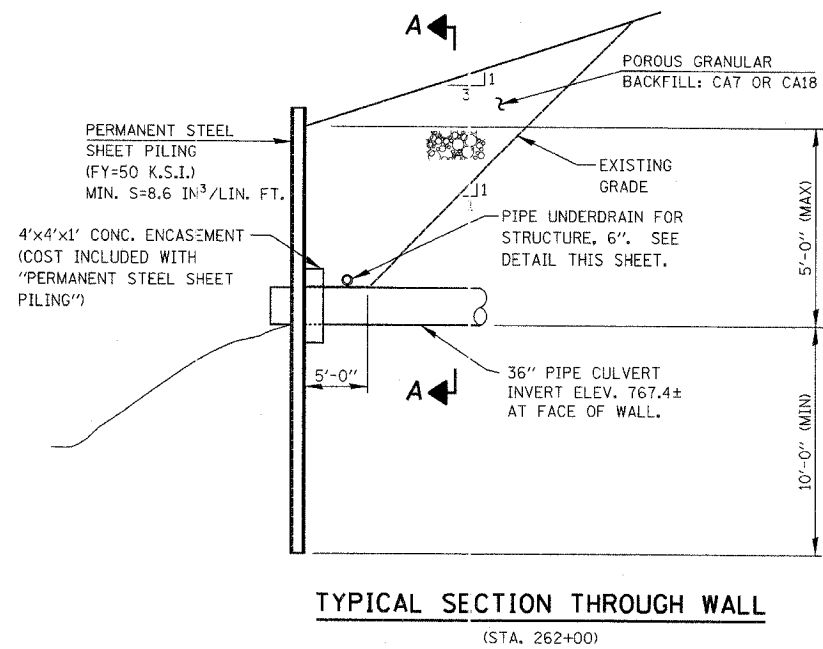


SECTION	COUNTY	TOTAL SHEETS	SHEET NO.
94-F3000-06-BT	COOK	105	46
STA.	TO STA.		
FED. ROAD DIST. NO.	ILL. ROAD NO.	83709	STPE-000(479)



TYPICAL SECTION THROUGH WALL
(STA. 272+70 & STA. 340+00)

• SEE CROSS SECTION DWGS. FOR SLOPES

NOTES:

- REFER TO PLAN AND PROFILE DRAWINGS FOR LOCATIONS AND LIMITS OF SHEET PILING WALLS.
- THE CONTRACTOR SHALL BE RESPONSIBLE FOR THE COMPLETE DESIGN OF THE PERMANENT STEEL SHEET PILING. ALL DETAILS AND DESIGNS SHALL BE SIGNED BY AN ILLINOIS LICENSED STRUCTURAL ENGINEER, AND SHALL BE SUBMITTED TO THE DEPARTMENT FOR REVIEW AND APPROVAL.

ILLINOIS DEPARTMENT OF TRANSPORTATION
DISTRICT NO. 1 SCHAUMBURG

SHEET PILING DETAILS

SCALE NONE
DATE 3/31/06
DRAWN BY ERG
CHECKED BY JD