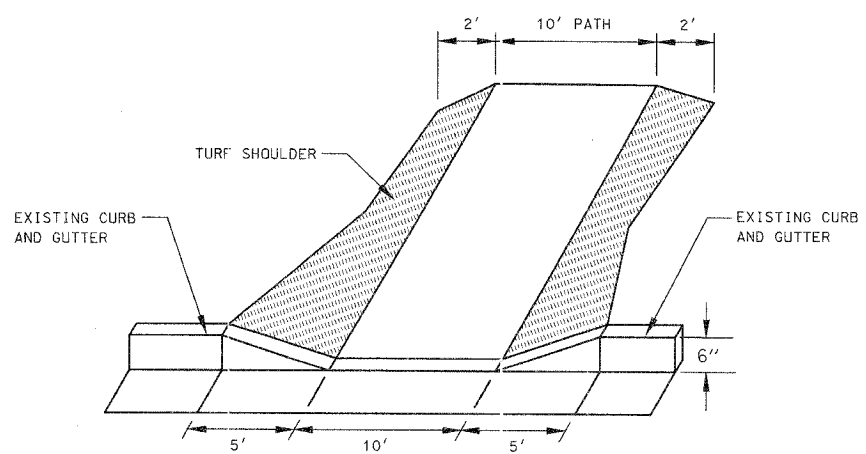
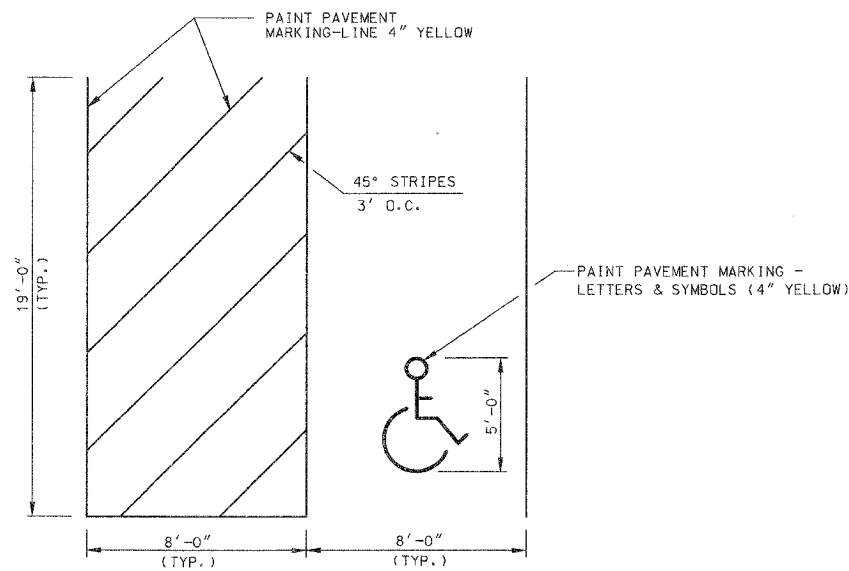


F.P. RTL.	SECTION	COUNTY	TOTAL SHEETS	SHEET NO.
	94-F3000-06-BT	COOK	105	63
STA.	TO STA.			
FED. ROAD DIST. NO.	ILLINOIS	83709	STPE-D001(479)	

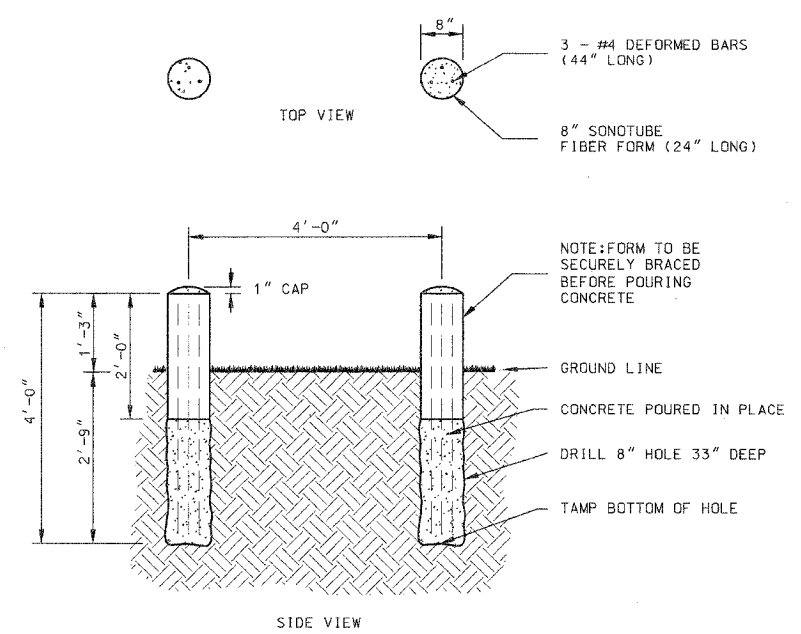
CONSTRUCTION DETAILS



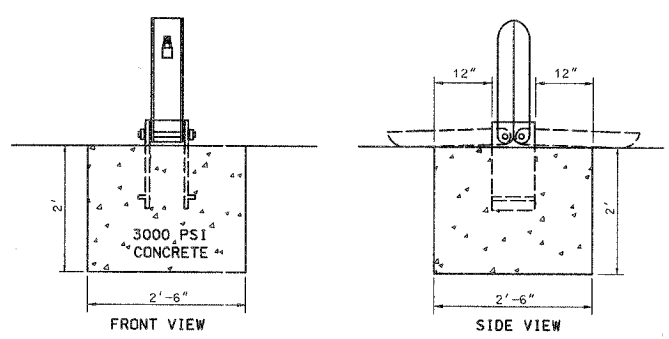
PATHWAY ENTRANCE AT PARKING LOT
N.T.S.



HANDICAP PARKING AND STRIPING DETAIL
N.T.S.

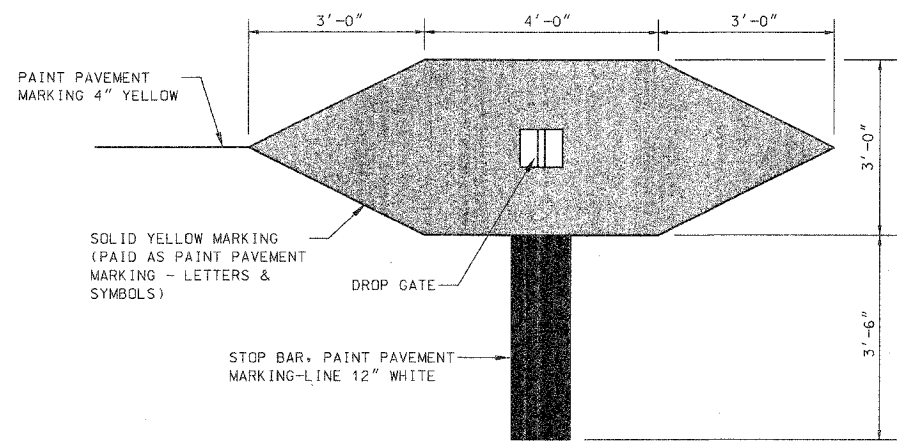


CONCRETE BARRIER (POURED IN PLACE)
N.T.S.



NOTE:
GATE ASSEMBLIES ARE FURNISHED BY THE F.P.D. CONTRACTOR SHALL PRIME AND PAINT GATE AS REQ. IN SPECIFICATIONS.

DROP GATE INSTALLATION
N.T.S.



PAVEMENT MARKING ABOUT DROP GATE DETAIL
N.T.S.

ILLINOIS DEPARTMENT OF TRANSPORTATION
DISTRICT NO. 1 SCHAUMBURG
FOREST PRESERVE
CONSTRUCTION DETAILS

SCALE _____ DRAWN BY _____
DATE _____ CHECKED BY _____