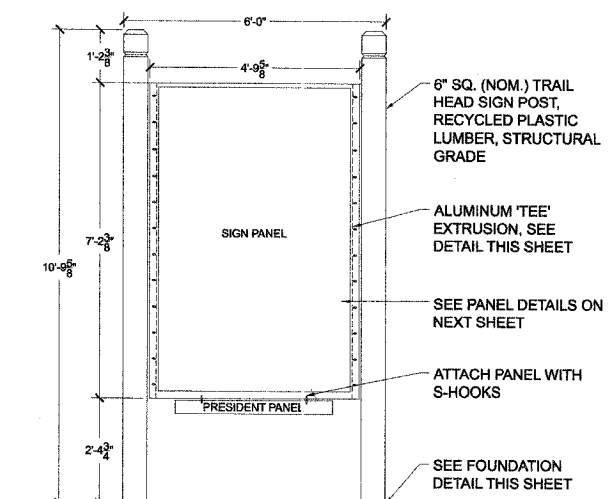
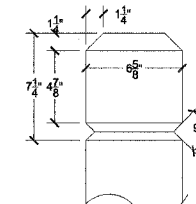
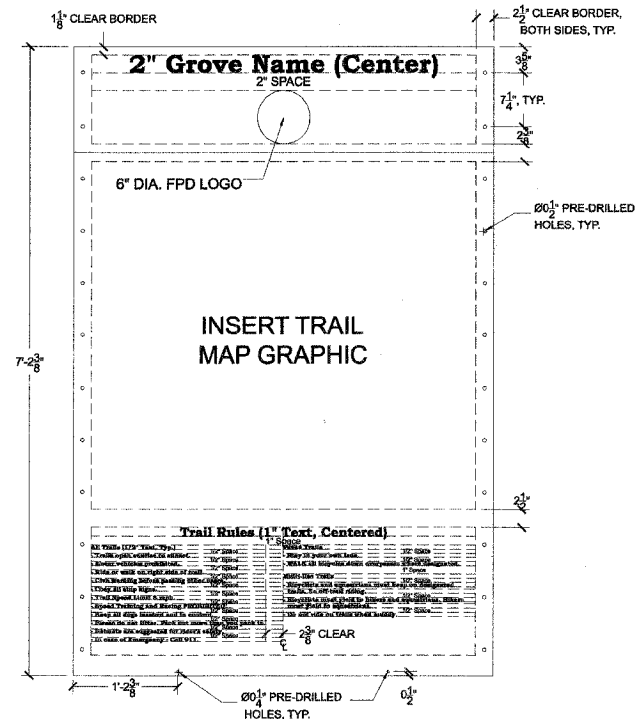


SECTION	COUNTY	TOTAL SHEETS	SHEET NO.
94-F3000-06-BT	COOK	105	65
STA. TO STA.			
FED. ROAD DIST. NO.	ELLIPSOID	83709	SIPE-0001(479)

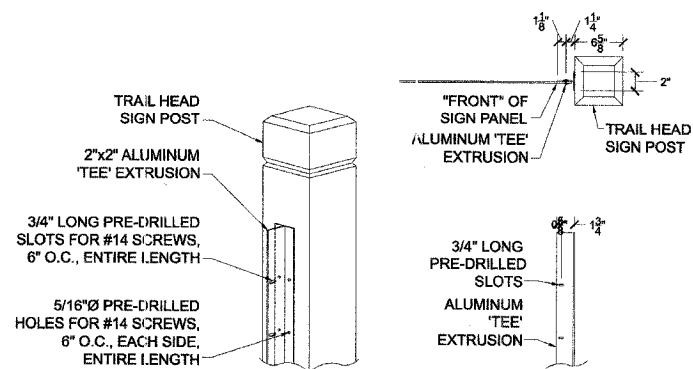
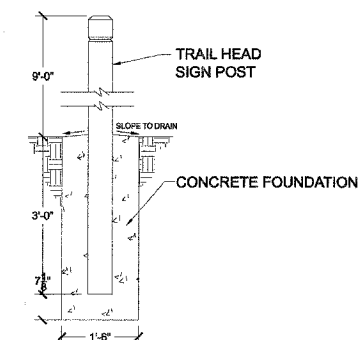
## TRAIL HEAD SIGN DETAILS



NOTES:  
1. SHOP DRAWINGS SHALL BE SUBMITTED FOR APPROVAL.



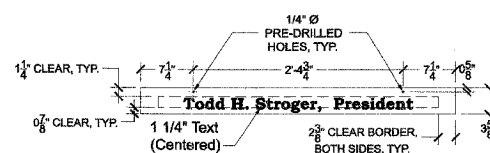
POST TOP DETAIL



**NOTES:**

- FASTEN TEE TO POST WITH #14 x 1.5" SIX-LOBE SECURITY SCREWS, BUTTON HEAD, TYPE SMS, STAINLESS STEEL AND WASHER.
- FASTEN SIGN PANEL TO TEE WITH #14 x 1" SIX-LOBE SECURITY SCREWS, BUTTON HEAD, TYPE M/S, STAINLESS STEEL, ONE #14 WASHER AND ONE #14 TAMPER-PROOF NUT AS MANUFACTURED BY GUARD-NUT INC., SERIES 75, PLATED STEEL.

**ALUMINUM EXTRUSION**



**PRESIDENT PANEL NOTES:**

- PANEL SHALL BE .080" ALUMINUM PANEL, ENGINEER GRADE WITH DOUBLE-SIDED GRAPHIC.
- BACKGROUND COLOR: CREAM  
TEXT COLOR: MAROON
- FONT: BOOKMAN OLD STYLE, BOLD, UPPER AND LOWER CASE LETTERS.
- COLOR SAMPLES ON FINISHED MATERIALS TO BE PROVIDED FOR APPROVAL.
- SHOP DRAWINGS SHALL BE PROVIDED FOR APPROVAL.

**NOTES:**

- PANEL SHALL BE .125" ALUMINUM, ENGINEER GRADE, WITH DOUBLE-SIDED GRAPHIC WITH ANTI-GRAFFITI COATING, BOTH SIDES OF PANEL
- HEADER SECTION -  
BACKGROUND COLOR: MAROON  
TEXT AND LOGO COLOR: CREAM
- MAP SECTION -  
BACKGROUND COLOR: CREAM
- RULES SECTION -  
BACKGROUND COLOR: CREAM  
TEXT: MAROON.  
LEFT JUSTIFY TEXT EXCEPT TITLE.
- FONT: BOOKMAN OLD STYLE, BOLD.
- MAP GRAPHIC, GROVE NAMES AND RULES TEXT TO BE PROVIDED BY FOREST PRESERVE DISTRICT IN DIGITAL FORMAT.
- COLOR SAMPLES ON FINISHED MATERIALS TO BE PROVIDED FOR APPROVAL.
- SHOP DRAWINGS SHALL BE SUBMITTED FOR APPROVAL.

ILLINOIS DEPARTMENT OF TRANSPORTATION  
DISTRICT NO. 1 SCHAUMBURG

TRAIL HEAD  
SIGN DETAILS

SCALE \_\_\_\_\_ DRAWN BY \_\_\_\_\_  
DATE \_\_\_\_\_ CHECKED BY \_\_\_\_\_