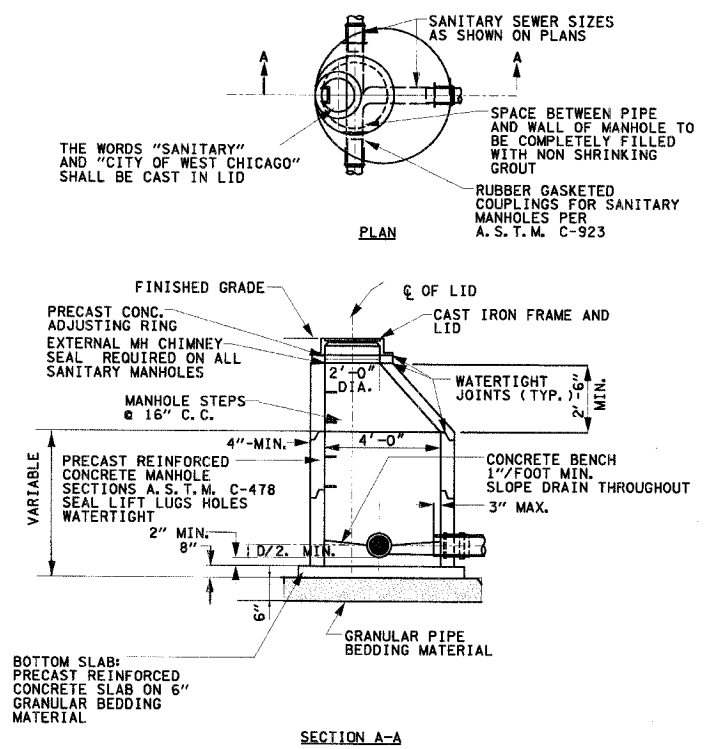
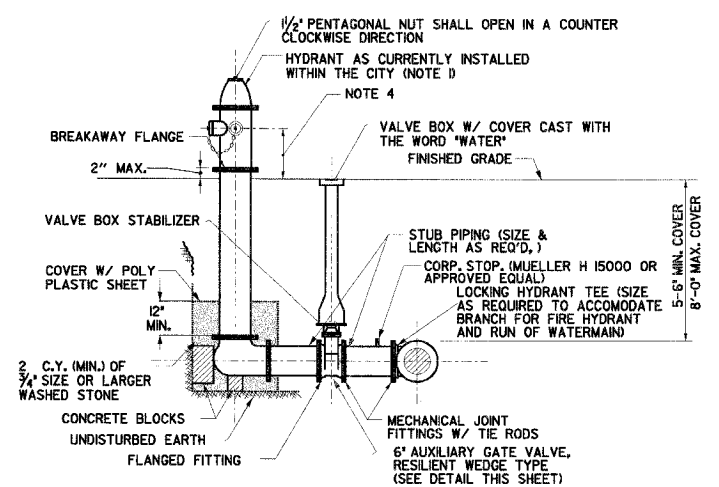


P.A.U. RT.	SECTION	COUNTY	TOTAL SHEETS	SHEET NO.
1389	99-00062-00-PV	DUPAGE	199	100
CONTRACT NO. 83873				
FED. ROAD DIST. NO. ILLINOIS FED. AID PROJECT				



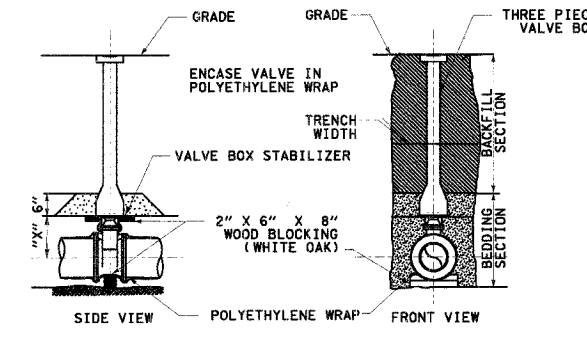
- NOTES:**
1. MANHOLE LIDS SHALL BE NEENAH R1772 TYPE "B" SELF SEALING LID OR EJIW 1022-1 HD OR APPROVED EQUAL.
 2. EZ-STICK GASKET OR APPROVED EQUAL SHALL BE INSTALLED AT ALL JOINTS.
 3. EXTERNAL CHIMNEY SEALS TO BE CANUSA, INFISHIELD OR APPROVED EQUAL.
 4. EXTERNAL JOINT SEALS TO BE MAC-WRAP OR APPROVED EQUAL.
 5. STEPS TO BE NEENAH R-1981-I CAST IRON OR EJIW 8533 OR APPROVED EQUAL, INTEGRALLY CAST INTO MANHOLE SIDEWALLS.

STANDARD SANITARY SEWER MANHOLE
N.T.S.

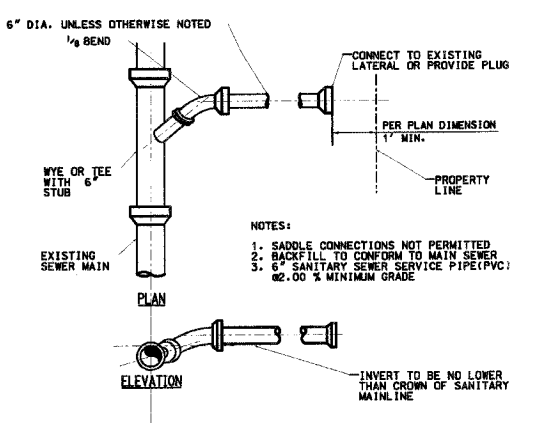


- NOTES:**
1. FIRE HYDRANTS SHALL BE WATEROUS PACER 250 OR EAST JORDAN 5-BR OR APPROVED EQUAL WITH 304 STAINLESS STEEL TRIM, BREAKAWAY TRAFFIC FLANGE PAINTED CHROME YELLOW. HYDRANTS MAY BE FLANGED OR MJ. ALL HYDRANTS INSTALLED ON 12" OR LARGER WATERMAIN MUST BE INSTALLED ON LOCKING HYDRANT TEES WHERE AVAILABLE. ALL MJ FITTINGS REQUIRE MEGALUGS.
 2. HYDRANTS SHALL HAVE MINIMUM BARREL DIAMETER OF 5" WITH ONE PUMPER OUTLET (5-1/4" MIN) AND TWO HOSE OUTLETS (2-1/2" MIN) WITH THREADS CORRESPONDING TO THE CITY STANDARDS.
 3. FIRE HYDRANT PAINT SHALL BE MAB PAINTS RUST-O-LASTIC #043-3291 SAFETY YELLOW OR APPROVED EQUAL.
 4. PROVIDE 18" (MIN) TO 24" CLEARANCE BETWEEN NOZZLE AND FINISHED GRADE.
 5. PROVIDE 2 FOOT DIAMETER BY 2 FOOT DEEP DRAINAGE PIT AROUND AND ADJACENT TO FIRE HYDRANT FILLED WITH WASHED STONE.
 6. FIRE HYDRANTS SHALL BE LOCATED AS SHOWN UNLESS OTHERWISE DIRECTED BY THE ENGINEER.
 7. A STAINLESS STEEL TAPPING VALVE AND SLEEVE WITH FLANGED BRANCH CONNECTION SHALL BE USED WHEN A PRESSURE CONNECTION TO THE MAIN LINE WATERMAIN IS NECESSARY.

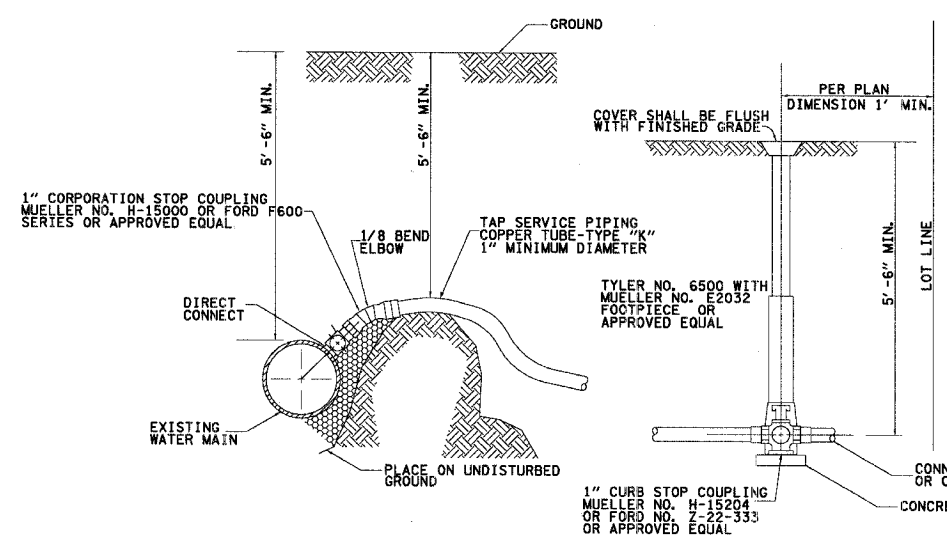
FIRE HYDRANT INSTALLATION (PRESSURE CONNECT)
N.T.S.



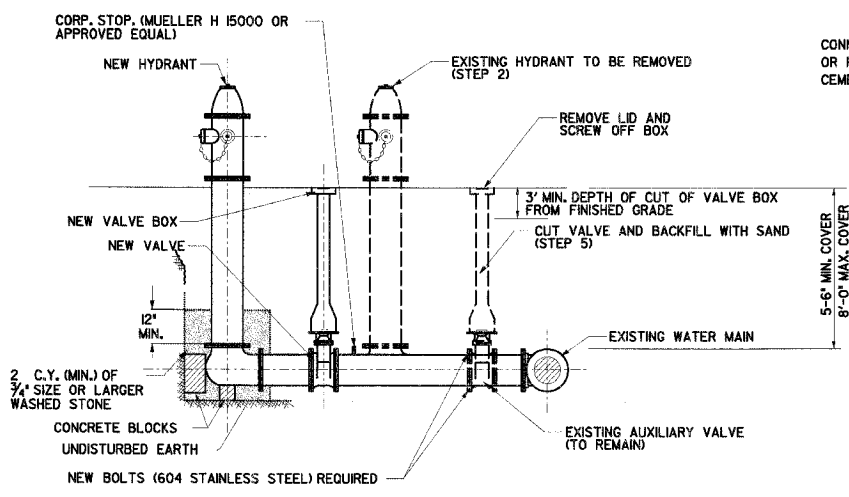
RESILIENT SEATED GATE VALVE AND BOX SETTING
N.T.S.



STANDARD SANITARY SERVICE LATERAL
N.T.S.

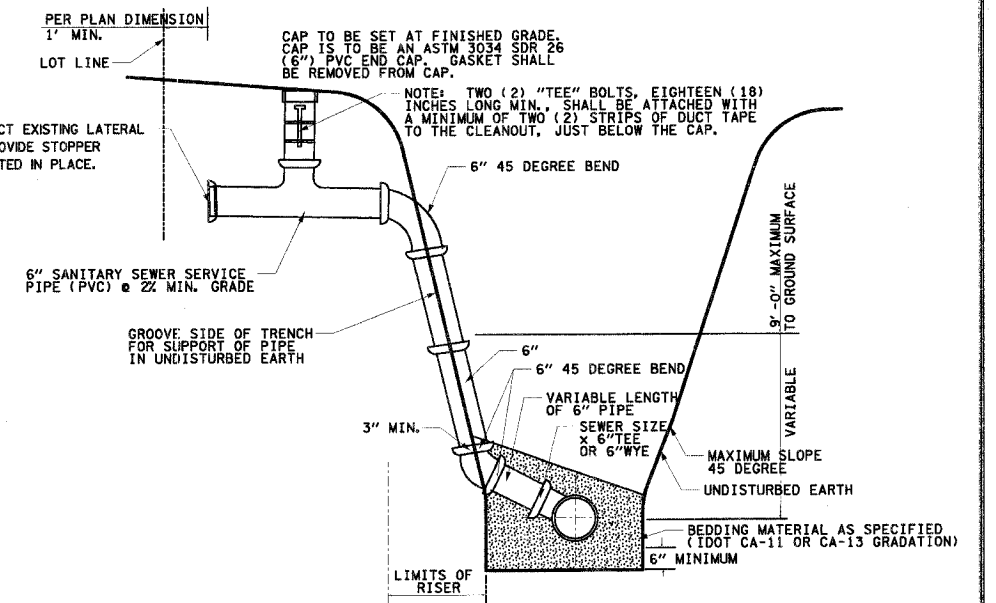


WATER SERVICE CONNECTION
N.T.S.



- SEQUENCE OF VALVE BOX ABANDONMENT AND NEW FIRE HYDRANT INSTALLATION:**
1. CLOSE EXISTING VALVE.
 2. REMOVE EXISTING HYDRANT.
 3. INSTALL HYDRANT EXTENSION, AUXILIARY VALVE AND VALVE BOX.
 4. INSTALL NEW HYDRANT.
 5. OPEN EXISTING VALVE, REMOVE BOX, CUT VALVE AND FILL WITH SAND.
 6. BACKFILL.
 7. FLUSH AND TEST FOR CHLORINE RESIDUAL.
- SEQUENCE OF VALVE BOX ABANDONMENT (WITH NO NEW FIRE HYDRANT INSTALLATION):**
1. CLOSE EXISTING VALVE.
 2. REMOVE EXISTING HYDRANT.
 3. INSTALL NEW PLATE AND NEW 604 STAINLESS STEEL BOLTS.
 4. REMOVE BOX, CUT VALVE AND FILL WITH SAND.
 5. BACKFILL.

FIRE HYDRANT REPLACEMENT & VALVE BOX ABANDONMENT DETAIL
N.T.S.



RISER WITH CLEANOUT FOR SERVICE LATERAL
N.T.S.

REVISIONS		ILLINOIS DEPARTMENT OF TRANSPORTATION	
NAME	DATE	HAWTHORNE LANE SANITARY SEWER AND WATER MAIN DETAILS	
		SCALE: 10'	DRAWN BY: PMM
		DATE: 12/7/2006	DESIGN BY: BLL
			CHECKED BY: JSS

N:\westch\04479\04479.tbl