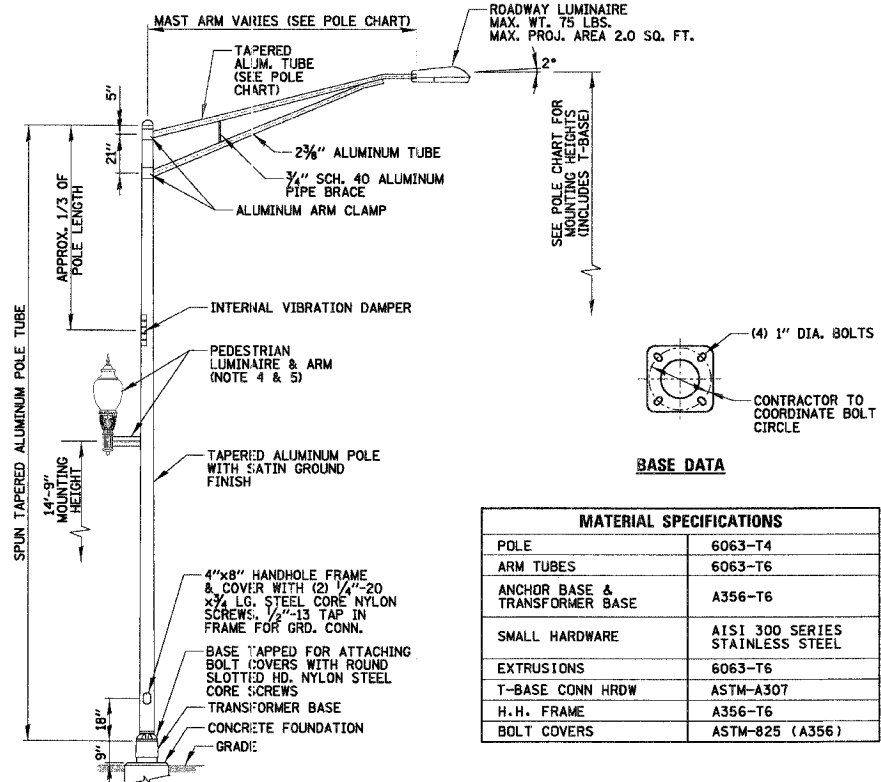


POLE CHART					
POLE TYPE	POLE HT.	MTG. HT.	POLE SIZE	ARM SPREAD	ARM TUBE SIZE
1	27'-2"	30'-9"	.250"-8.0"x6.0"x27'-2"	12 FT.	0.125"W-3 1/2" O.D.
2	32'-2"	35'-9"	.250"-8.0"x6.0"x32'-2"	15 FT.	0.125"W-3 1/2" O.D.

LIGHT STANDARD MODEL INFORMATION				
POLE TYPE	MANUFACTURER	ROADWAY LUMINAIRE	IES PHOTOMETRIC CURVE	
1	A	G.E.	MDCL25MOA12FMC32	GE450342.IES
	B	AMERICAN ELECTRIC LIGHTING	32525MCAMT2R3FG	LTL15118-325SERIES.IES
2	A	G.E.	MDCL25MOA12FMC32	GE450342.IES
	B	AMERICAN ELECTRIC LIGHTING	32525MCAMT2R3FG	LTL15118-325SERIES.IES

- NOTES:**
- LIGHTPOLES SHALL MEET WIND LOADING & VIBRATION REQUIREMENTS ACCORDING TO THE LATEST AASHTO STANDARDS AND ARTICLE 1069.01 IN STANDARD SPECIFICATIONS FOR ROAD AND BRIDGE CONSTRUCTION. ALL STEEL SHALL BE FROM A DOMESTIC SOURCE.
 - THE LIGHT STANDARD SHALL MEET THE ILLUMINATION REQUIREMENTS AS SPECIFIED IN THE LUMINAIRE PERFORMANCE TABLES IN THE SPECIFICATIONS. ALL LUMINAIRES SHALL HAVE A MULTI-TAP BALLAST WIRED FOR 240 VOLTS OPERATION.
 - ALL LIGHT STANDARDS SHALL BE FROM THE SAME MANUFACTURER, OR APPROVED EQUAL.

**LIGHT STANDARD
TYPE 1 AND TYPE 2 DETAIL**
N.T.S.

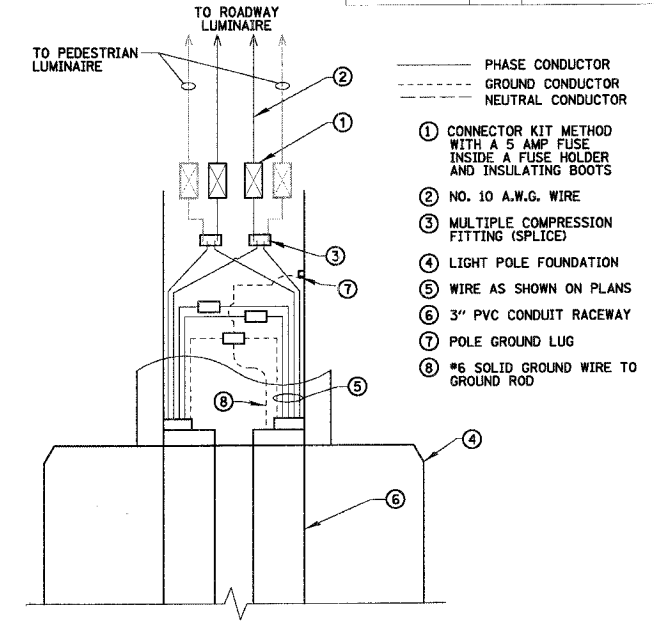


POLE CHART					
POLE TYPE	POLE HT.	MTG. HT.	POLE SIZE	ARM SPREAD	ARM TUBE SIZE
3	27'-2"	30'-9"	.250"-8.0"x6.0"x27'-2"	12 FT.	0.125"W-3 1/2" O.D.
4	32'-2"	35'-9"	.250"-8.0"x6.0"x32'-2"	15 FT.	0.125"W-3 1/2" O.D.

LIGHT STANDARD MODEL INFORMATION							
POLE TYPE	MANUFACTURER GROUP	MANUFACTURER	ROADWAY LUMINAIRE 250W MH	ROADWAY BRACKET ARM	MANUFACTURER	PEDESTRIAN LUMINAIRE SOW MH	PEDESTRIAN BRACKET ARM
3	A	GE	MDCL25MOA12FMC32	PER POLE CHART	KING	K118RLGRII50(MED)MH240(MTK13GH	KA16-S
	B	AMERICAN ELECTRIC LIGHTING	32525MCAMT2R3FG	PER POLE CHART	HOLOPHANE	WE50DMHMTA3A4	PCPWB-CA
4	A	GE	MDCL25MOA12FMC32	PER POLE CHART	KING	K118RLGRII50(MED)MH240(MTK13GH	KA16-S
	B	AMERICAN ELECTRIC LIGHTING	32525MCAMT2R3FG	PER POLE CHART	HOLOPHANE	WE50DMHMTA3A4	PCPWB-CA

- NOTES:**
- LIGHTPOLES SHALL MEET WIND LOADING & VIBRATION REQUIREMENTS ACCORDING TO THE LATEST AASHTO STANDARDS AND ARTICLE 1069.01 IN STANDARD SPECIFICATIONS FOR ROAD AND BRIDGE CONSTRUCTION. ALL STEEL SHALL BE FROM A DOMESTIC SOURCE.
 - THE LIGHT STANDARD SHALL MEET THE ILLUMINATION REQUIREMENTS AS SPECIFIED IN THE LUMINAIRE PERFORMANCE TABLES IN THE SPECIFICATIONS. ALL LUMINAIRES SHALL HAVE A MULTI-TAP BALLAST WIRED FOR 240 VOLTS OPERATION.
 - ALL LIGHT STANDARDS SHALL BE FROM THE SAME MANUFACTURER, OR APPROVED EQUAL.
 - THE PEDESTRIAN LUMINAIRES CAN BE ELIMINATED AS PART OF THIS PROJECT, AT THE DISCRETION OF THE OWNER, PRIOR TO BEGINNING CONSTRUCTION. WHETHER OR NOT THIS OCCURS THE CONTRACTOR SHALL COORDINATE WITH POLE MANUFACTURER TO HAVE THE ALUMINUM POLES FACTORY TAPPED AND PLUGGED TO ACCEPT THE PEDESTRIAN LUMINAIRE AND ARM INSTALLATION. THE TAP SHALL BE PROPERLY LOCATED, AS TO ENSURE A 14'-9" MOUNTING HEIGHT ABOVE THE POLE AND TRANSFORMER BASE (AS INDICATED ABOVE).
 - PEDESTRIAN LUMINAIRE AND BRACKET ARM FINISH COLOR SHALL MATCH THE PROPOSED ROADWAY POLE. CONTRACTOR SHALL HAVE PEDESTRIAN LUMINAIRE SUPPLIER SUBMIT COLOR CHIP SAMPLE TO VERIFY COLOR WITH OWNER'S REPRESENTATIVE.

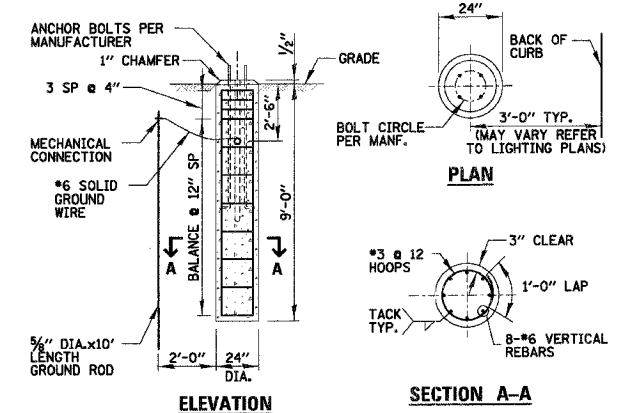
**LIGHT STANDARD
TYPE 3 AND TYPE 4 DETAIL**
N.T.S.



POLE HANDHOLE WIRING DIAGRAM
N.T.S.

**24 IN. DIA. FOUNDATION DEPTH TABLE
DESIGN BASE ON 80 M.P.H. AASHTO WIND LOADING**

TYPE OF SOIL	FOUNDATION DEPTH D	REINFORCEMENT IN FOUNDATION	
		VERTICAL BARS	HORIZONTAL BARS
ROCK OR SOLIDIFIED SLAG	5'-0"	NONE	NONE
DENSE SAND	7'-9"	8-#6 x 7'-4"	#3 x 73'
MEDIUM SAND	8'-3"	8-#6 x 7'-10"	#3 x 78'
LOOSE SAND	9'-0"	8-#6 x 8'-7"	#3 x 85'
STIFF CLAY	7'-0"	8-#6 x 6'-7"	#3 x 66'
MEDIUM CLAY	9'-6"	8-#6 x 9'-1"	#3 x 90'
SOFT CLAY	13'-0"	8-#6 x 12'-7"	#3 x 122'



CONCRETE FOUNDATION DETAIL
N.T.S.

REVISIONS		ILLINOIS DEPARTMENT OF TRANSPORTATION LIGHTING DETAILS-2 HAWTHORNE LANE
NAME	DATE	
		SCALE: 50' DATE: 12/7/2006 DRAWN BY GAH DESIGN BY GAH CHECKED BY JPC

N:\WestCh\04479\04479.tbl