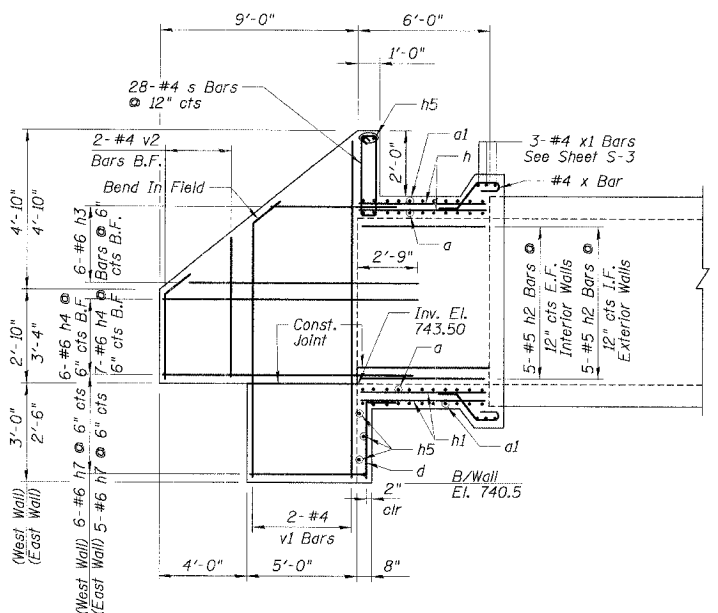
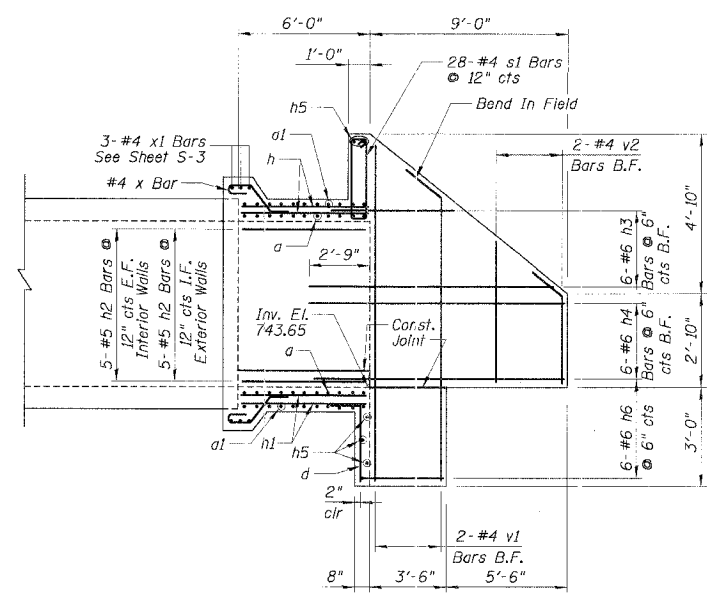


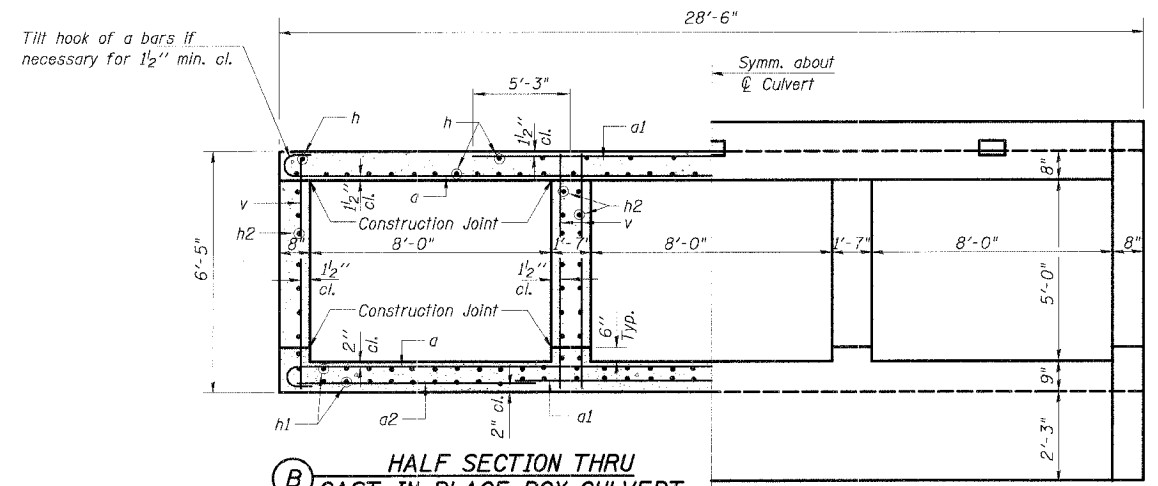
F.A.U. RT.E.	SECTION	COUNTY	TOTAL SHEETS	SHEET NO.
1389	99-0062-00-PV	DUPAGE	199	119
CONTRACT NO. 83873				
FED. ROAD DIST. NO. ILLINOIS FED. AID PROJECT				



SOUTH END SECTION

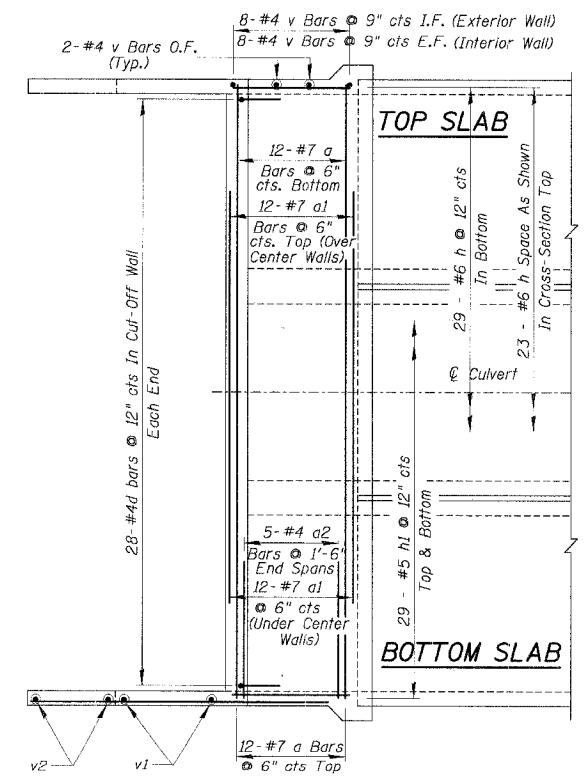


NORTH END SECTION

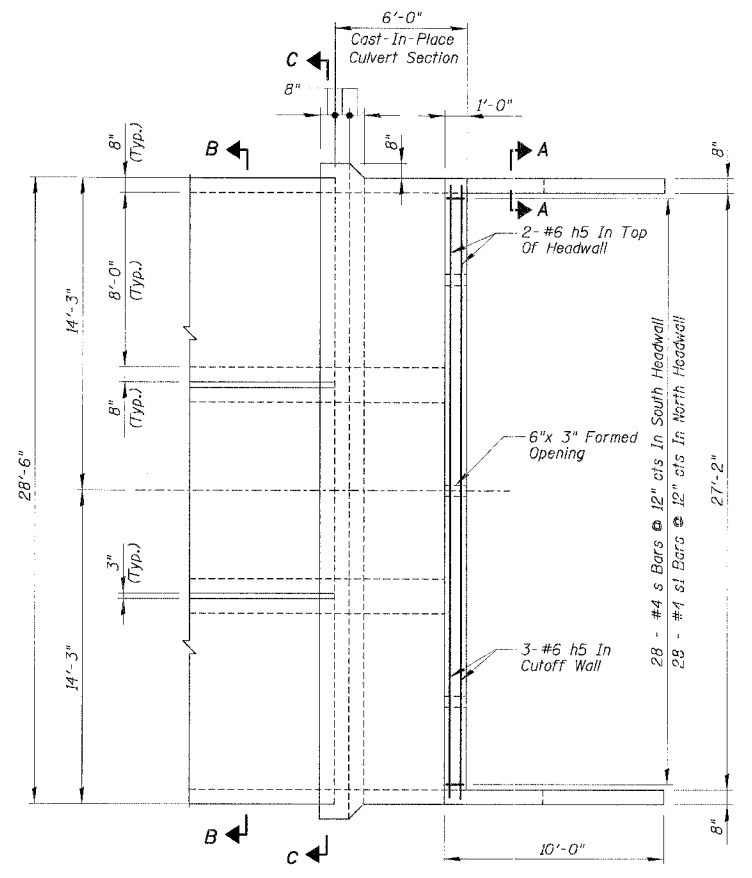


HALF SECTION THRU CAST-IN-PLACE BOX CULVERT

HALF END ELEVATION

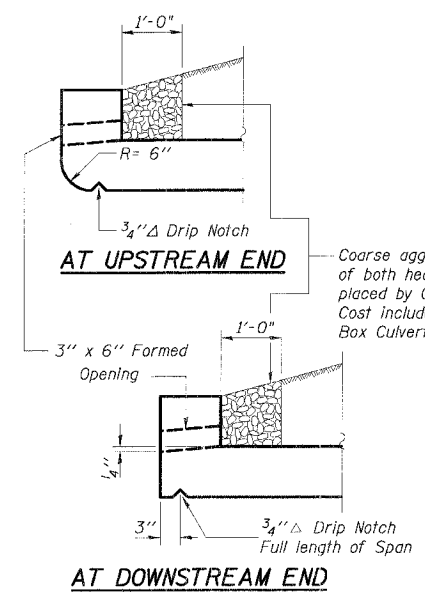


SHOWING REINFORCEMENT

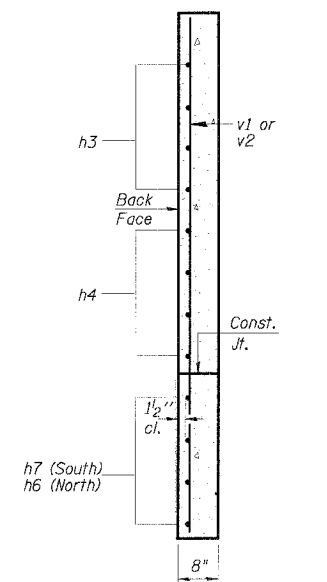


SHOWING OUTLINES

PLAN



DRAIN DETAIL



SECTION - WINGWALL

LEGEND:

- I.F. = Inside Face
- O.F. = Outside face
- B.F. = Back face
- E.F. = Each Face

REINFORCEMENT PLAN AND SECTIONS
 HAWTHORN LANE OVER
 KRESS CREEK
 F.A.U. 1389 - SECTION 99-0062-00-PV
 DUPAGE COUNTY
 STATION 52+00.73
 STRUCTURE NO. 022-6010

CHRISTOPHER B. BURKE ENGINEERING LTD.
 9575 West Higgins Road, Suite 600
 Rosemont, Illinois 60018

REVISIONS	NAME	DATE	DETAILS