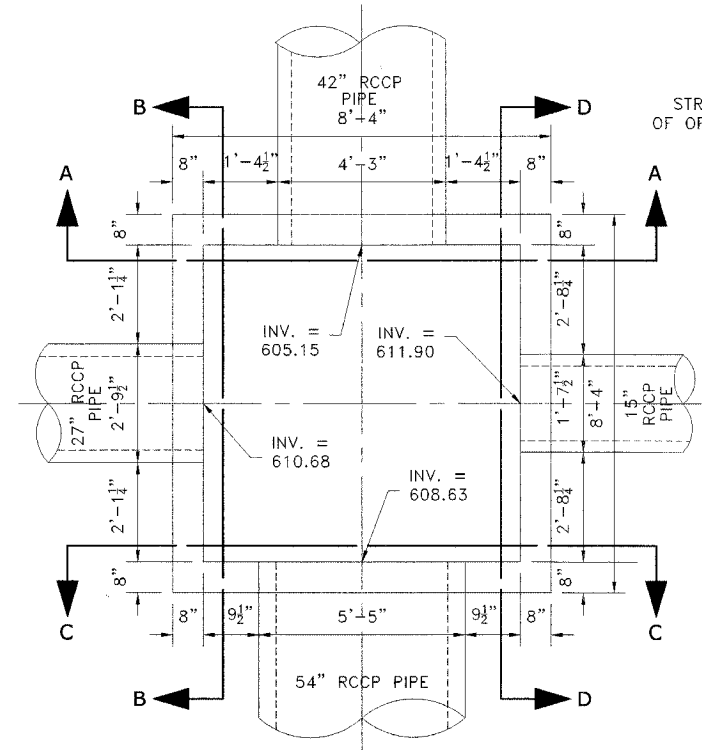
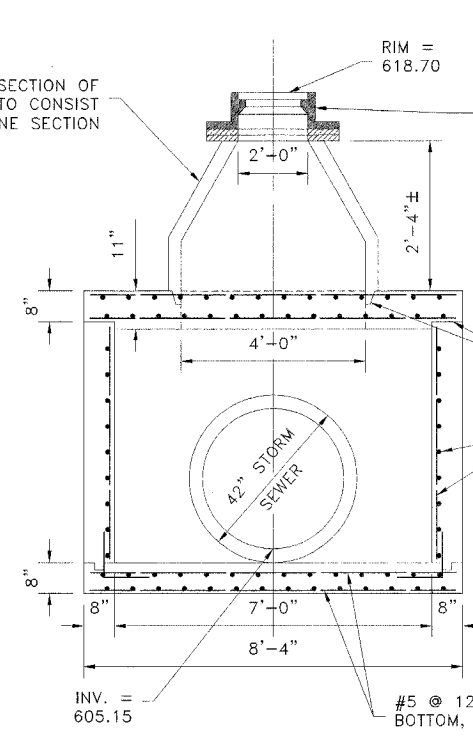


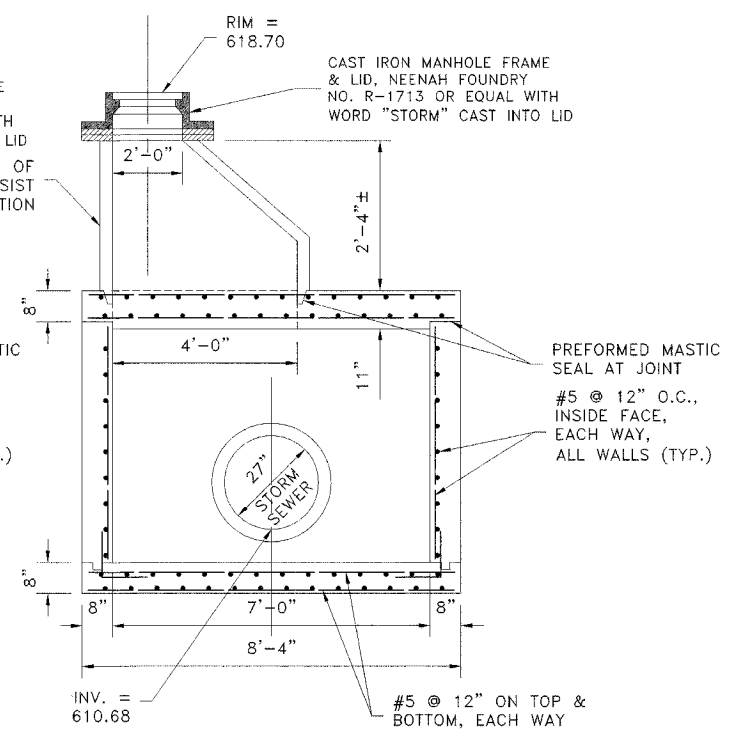
ROUTE NO.	SECTION	COUNTY	TOTAL SHEETS	SHEET NO.
FAU 2732	**	COOK	47	31
ILLINOIS PROJECT		M-8003(712)		
VILLAGE SECTION		00-00115-01-WR		
CONTRACT NO. 83881				



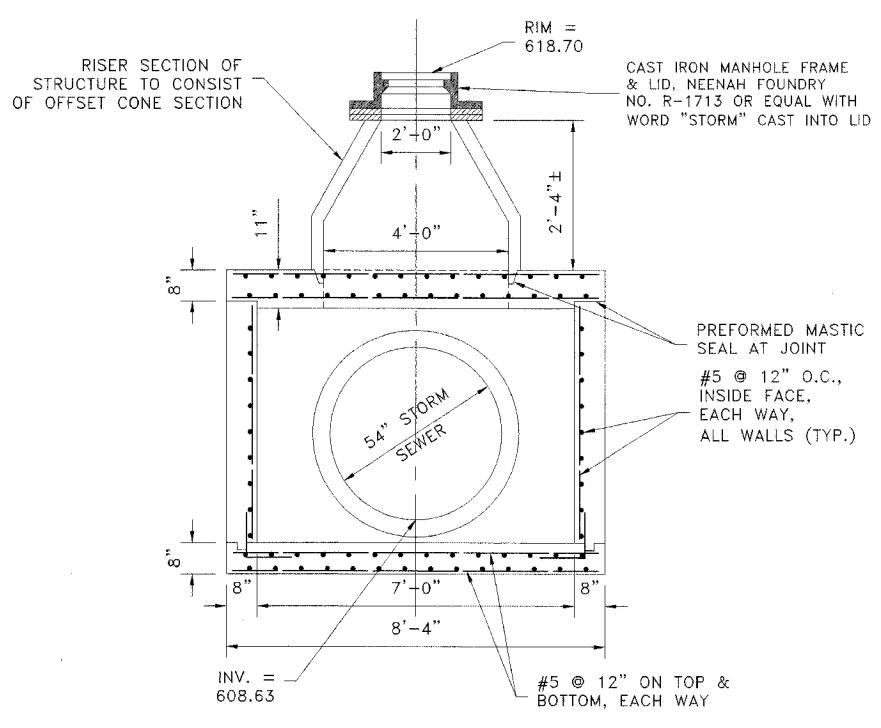
PLAN VIEW



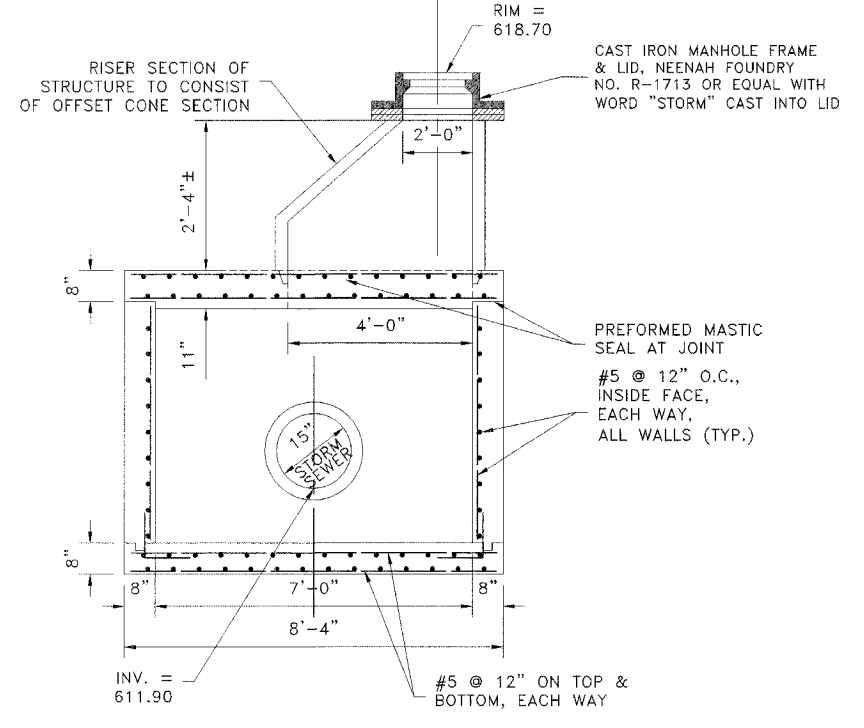
SECTION A-A



SECTION B-B



SECTION C-C



SECTION D-D

BOX STRUCTURE #15
(SEE SHEET NO. 21)

Drawing file: W:\Projects\12504263 - Prairie Ave 2nd Phase\210 Project\Drainage-Details.dwg Oct 05, 2005 - 2:32pm

HANCOCK ENGINEERING ♦ Civil Engineers
 ♦ Municipal Consultants
 ♦ Established 1911

9933 Roosevelt Road
 Westchester, Illinois 60154-2780
 Phone: 708/865-0300
 Fax: 708/865-1212

**PRAIRIE AVENUE IMPROVEMENTS
 PHASE II
 VILLAGE OF BROOKFIELD, ILLINOIS**

DRAINAGE AND UTILITY DETAILS

SCALE: NONE
 DRAWN BY: MK/LEV
 BOOK NO.: #1475, #1504
 DATE: 10-6-06
 E.H.E. NO.: 125-04-26301

REVISION:

SHEET **31** OF **47**