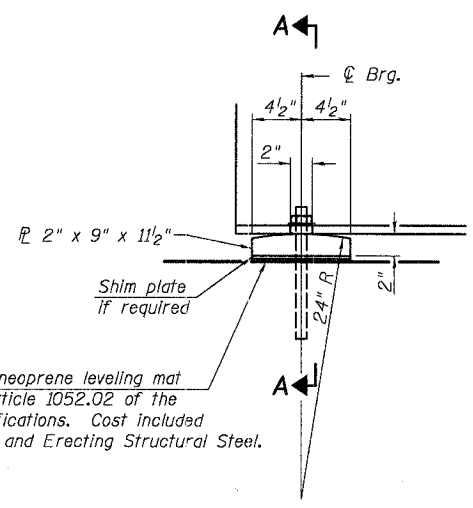


ROUTE NO.	SECTION	COUNTY	SHEET NO.	TOTAL SHEETS
FAP 532	02-00117-21-BR	WILL	35	20
FED. ROAD DIST. NO.	ILL. ROAD DIST. NO.	FED. AID PROJECT NO.	CONTRACT NO. 83885	
1				

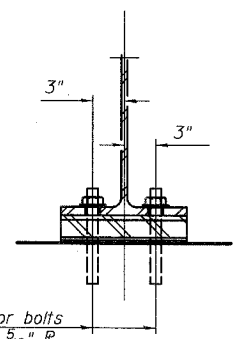
SHEET NO. S-11
S-19 SHEETS



1/8" elastomeric neoprene leveling mat according to Article 1052.02 of the Standard Specifications. Cost included with Furnishing and Erecting Structural Steel.

ELEVATION AT ABUTMENTS

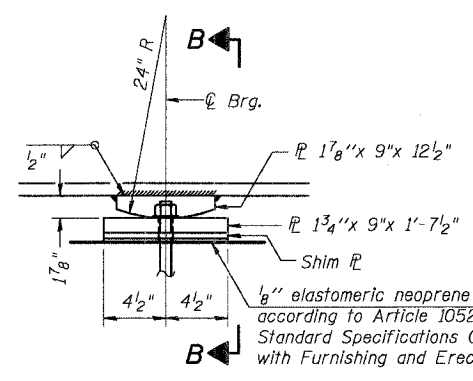
FIXED BEARING AT ABUTMENTS
(12 Required)



1" ϕ x 12" anchor bolts with 2 1/4" x 2 1/4" x 5/16" flange washer under nut. 1 3/8" x 2" slotted hole in flange. 1/2" ϕ holes in bearing plate.

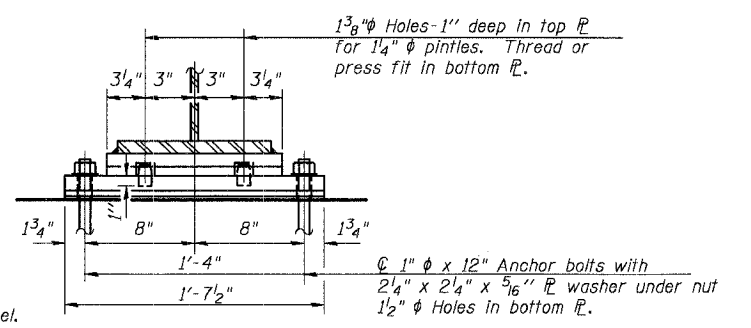
SECTION A-A

Notes:
Anchor bolts at fixed bearings may be built into the masonry.
See sheet S-12 for Anchor Bolt installation.

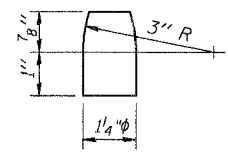


ELEVATION AT PIERS

FIXED BEARING AT PIERS 1 & 2
(12 Required)



SECTION B-B



PINTLE

DESIGNED	KMA
CHECKED	AEU
DRAWN	MDJ
CHECKED	RGD

SEC GROUP, INC.
Smith Engineering Consultants • SEC Automation • SEC Planning
4600 Prime Parkway, Mchenry, IL 60050
t: 815.385.1778 f: 815.385.1761
www.secgroupinc.com engh@secgroupinc.com

WILL COUNTY DEPARTMENT OF HIGHWAYS

BEARING DETAILS
MANHATTAN-ARSENAL ROAD
OVER JACKSON CREEK
WILL COUNTY
SECTION NO. 02-00117-21-BR
STRUCTURE NO. 099-3395
DATE 12-8-2006

DRAWN AND CHECKED BY: MDJ
 PROJECT NO.: 02-00117-21-BR
 SHEET NO.: S-11
 DATE: 12-8-2006