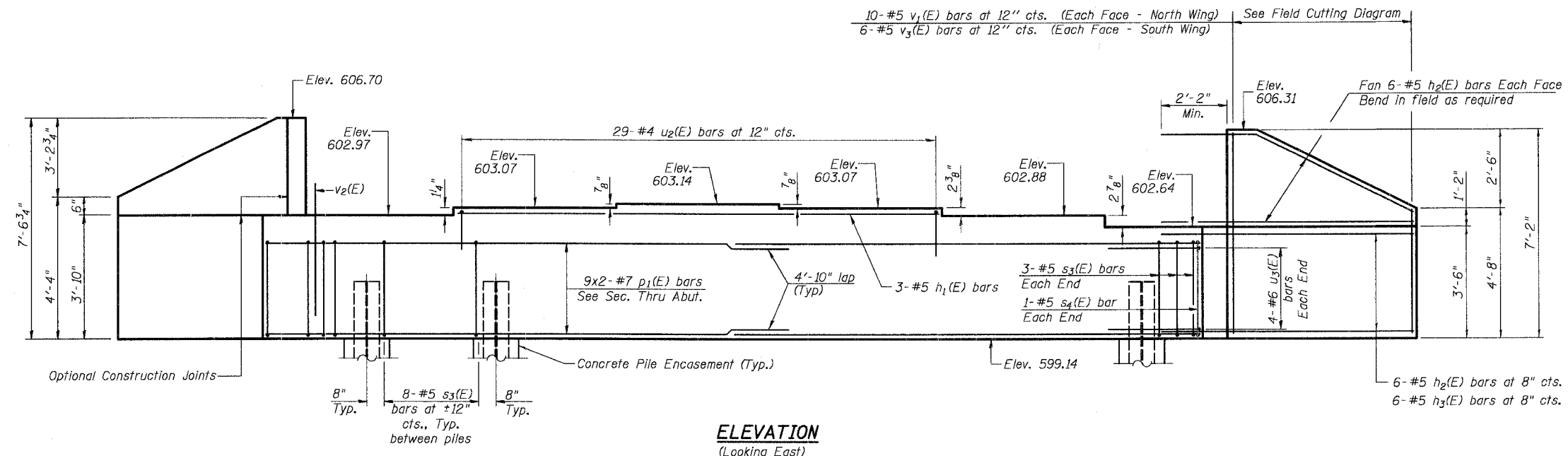
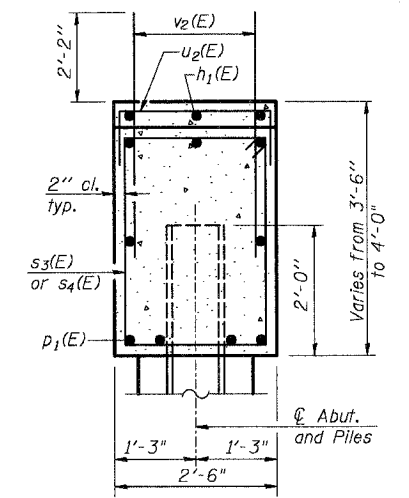


CONTRACT #: 83885



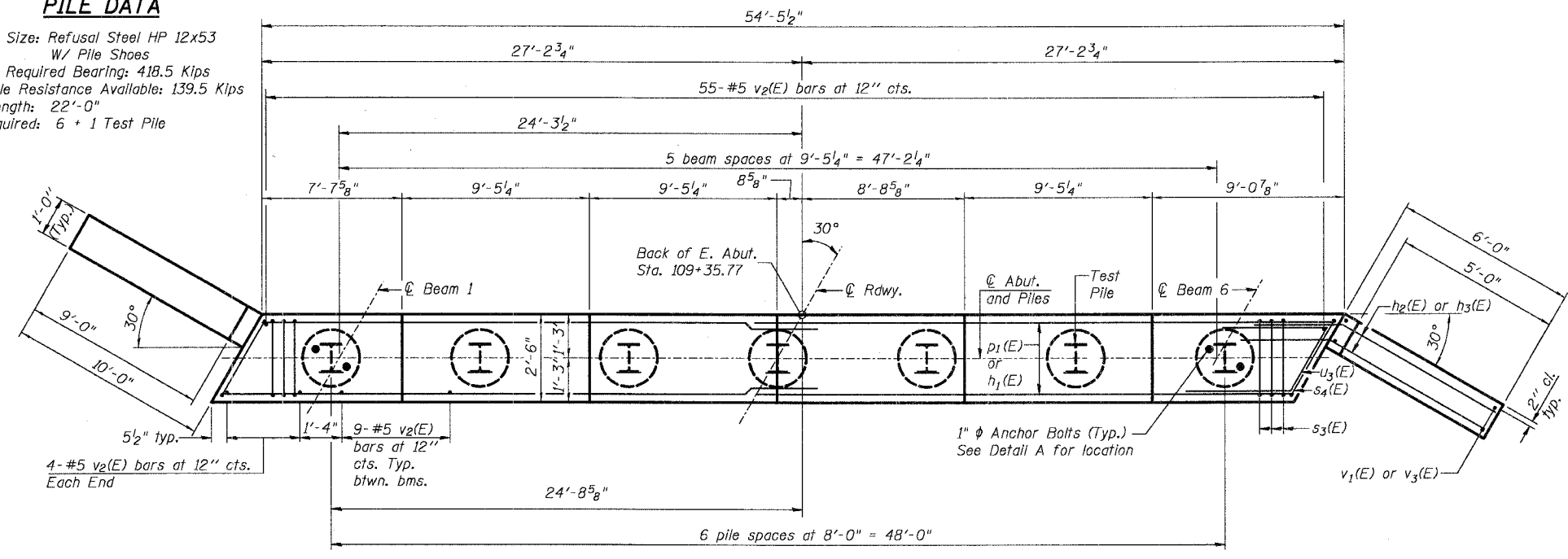
ELEVATION
(Looking East)



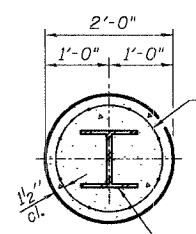
SEC. THRU ABUT.

PILE DATA

Type & Size: Refusal Steel HP 12x53
W/ Pile Shoes
Nominal Required Bearing: 418.5 Kips
Allowable Resistance Available: 139.5 Kips
Est. Length: 22'-0"
No. Required: 6 + 1 Test Pile



PLAN



SECTION A-A

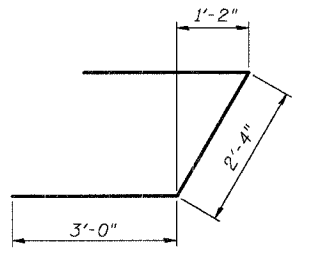
Welded wire fabric
6 x 6-W4.0 x W4.0
weighing 58#/100 sq. ft.
The cost of Excavation and
Reinforcement is included
with Concrete Encasement.
Forms for Encasement may
be omitted when soil
conditions permit.

PILE ENCASUREMENT DETAIL

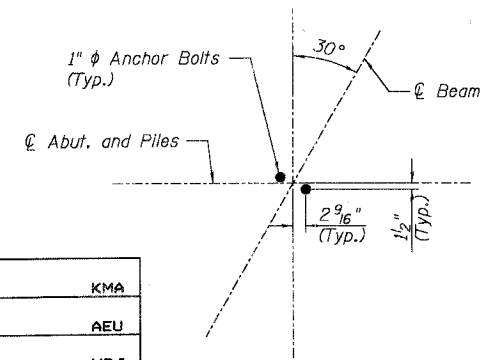
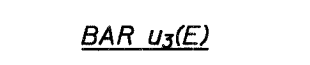
BILL OF MATERIAL

Bar	No.	Size	Length	Shape
h ₁ (E)	3	#5	27'-11"	—
h ₂ (E)	24	#5	12'-0"	└
h ₃ (E)	24	#5	8'-0"	└
p ₁ (E)	18	#7	29'-6"	—
s ₃ (E)	54	#5	11'-7"	□
s ₄ (E)	2	#5	12'-3"	□
u ₂ (E)	29	#4	4'-2"	└
u ₃ (E)	8	#6	8'-4"	└
v ₁ (E)	10	#5	10'-6"	—
v ₂ (E)	108	#5	4'-4"	—
v ₃ (E)	6	#5	11'-2"	—
Concrete Structures		Cu. Yd.	22.9	
Reinforcement Bars, Epoxy Coated		Pound	3,200	
Structure Excavation		Cu. Yd.	173	
Furnishing Steel Piles HP 12x53		Foot	132	
Driving Piles		Foot	132	
Pile Shoes		Each	7	
Concrete Encasement		Cu. Yd.	2.4	
Test Pile HP 12x53		Each	1	

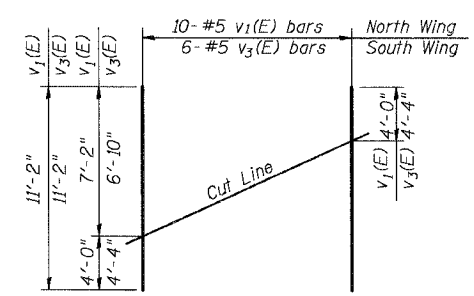
BARS h₂(E) & h₃(E)



BAR u₃(E)

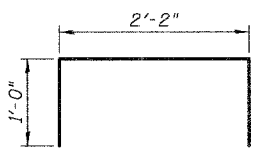


DETAIL A

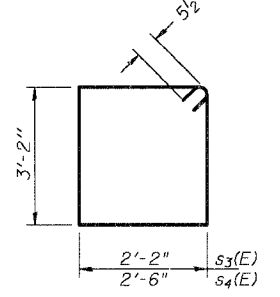


FIELD CUTTING DIAGRAM

Order v₁(E) & v₃(E) bars full length. Cut as shown and use remainder of bars in opposite face.



BAR u₂(E)



BARS s₃(E) & s₄(E)

Notes: Four steps monolithically with cap. Reinforcement bars designated (E) shall be epoxy coated.



SEC GROUP, INC.
Illinois Professional Design Firm # 184 000108
Structural Engineering Consultants - SEC Automation - SEC Planning
4500 Prime Parkway, McHenry, IL 60050
t. 815.385.1776 f. 815.385.1781
www.secgroupinc.com engineering@secgroupinc.com

WILL COUNTY DEPARTMENT OF HIGHWAYS

EAST ABUTMENT DETAILS
MANHATTAN-ARSENAL ROAD
OVER JACKSON CREEK
WILL COUNTY
SECTION NO. 02-00117-21-BR
STRUCTURE NO. 099-3395

DATE 12-8-2006

COMPANY NAME, SEC, INC. PROJECT: 02-00117-21-BR
 DRAWING NO. 099-3395
 DATE: 12-8-2006
 PROJECT LOCATION: MANHATTAN-ARSENAL ROAD OVER JACKSON CREEK
 COUNTY: WILL COUNTY, ILLINOIS
 CONTRACT NO.: 83885
 SHEET NO.: S-14 OF S-19

DESIGNED	KMA
CHECKED	AEU
DRAWN	MDJ
CHECKED	RGD