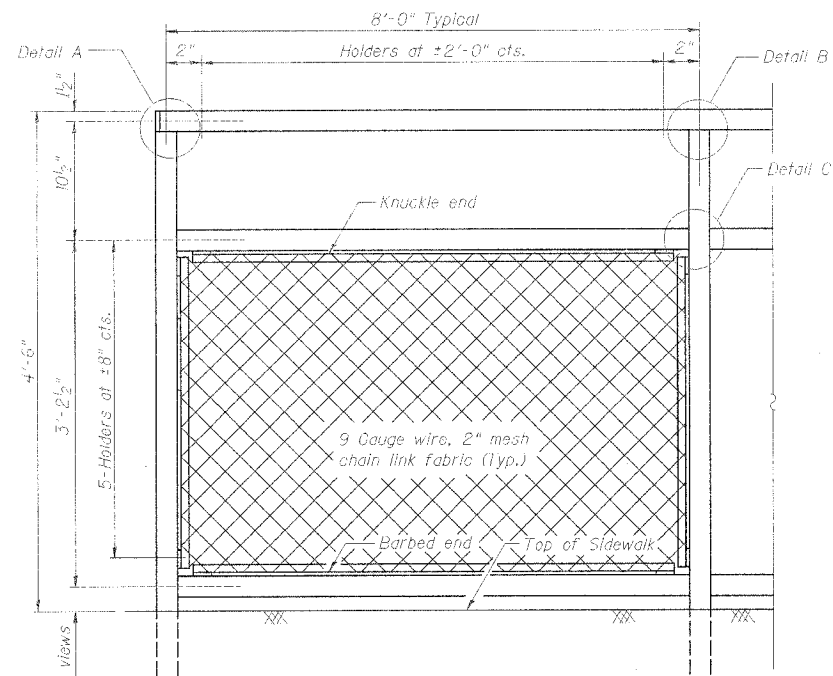
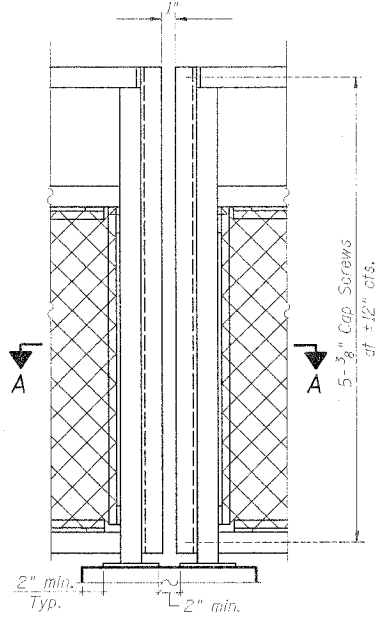


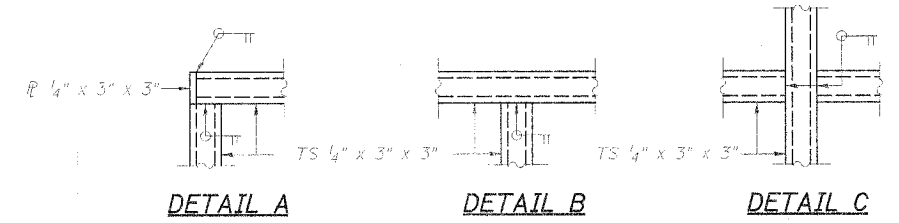
FILE NO.	SECTION	COUNTY	TOTAL SHEETS	SHEET NO.
178	03-00287-00-BR	LEE	18	10
STA. 19+96	TO STA. 19+96			
FED. ROAD DIST. NO.	RD. NO.	FED. AID PROJECT		



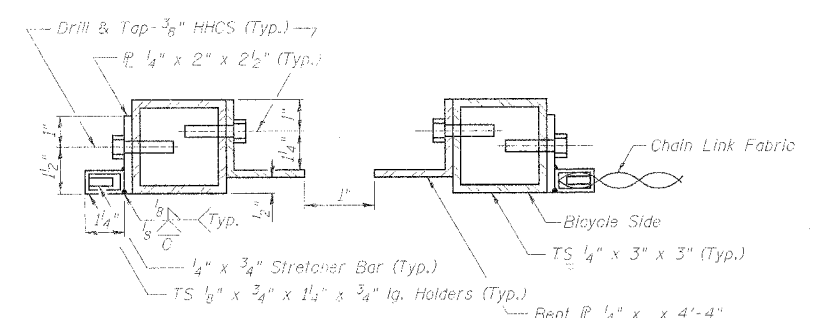
ELEVATION
At End of Rail



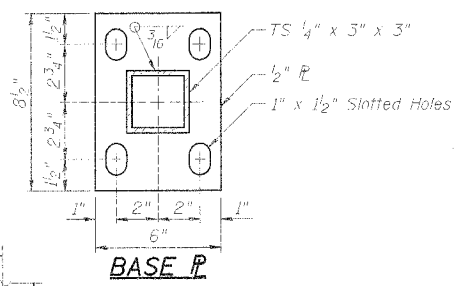
ELEVATION
At Rail Corners



DETAIL A **DETAIL B** **DETAIL C**



SECTION A-A



BASE P

NOTES

Railing shall be according to Section 509 of the Standard Specifications, except as noted, and will be paid for at the Contract Unit Price per foot for Bicycle Railing.

The 9 gauge fabric ties shall be according to Article 1006.27 (d) of the Standard Specifications.

Installation of the chain link fabric shall be according to Section 664 of the Standard Specifications.

Follow structural steel tubing shall conform to the requirements of ASTM designation A 500, Grade B, structural steel tubing.

All other steel shapes and plates shall conform to the requirements of AASHTO M 270 Grade 36.

The Parapet Railing, furnished and installed shall not be paid for separately but shall be included in the unit bid price for "Bicycle Railing."

The chain link fabric shall be placed along Bicycle Side as shown on Section A-A.

Stretcher bars shall be used of all four sides of each panel.

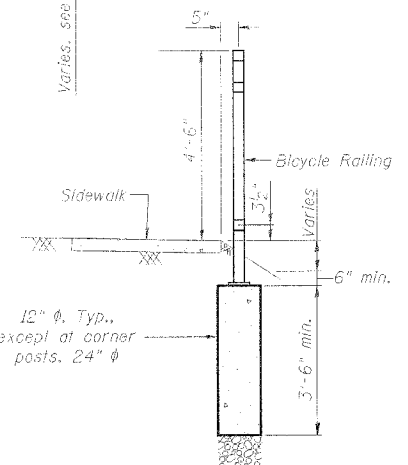
If the option of drilling and epoxy grouting the anchor rods is chosen, the Contractor shall use the capsule or the adhesive cartridge type anchor rods that have been previously tested and given a prior approval by the Department. The Contractor shall install these anchor rods in pre-drilled holes according to the manufacturer's recommendations and procedures. The capsule or the adhesive cartridge shall be sealed with premeasured amounts of the adhesive chemical.

Space reinforcement to miss anchor rods.

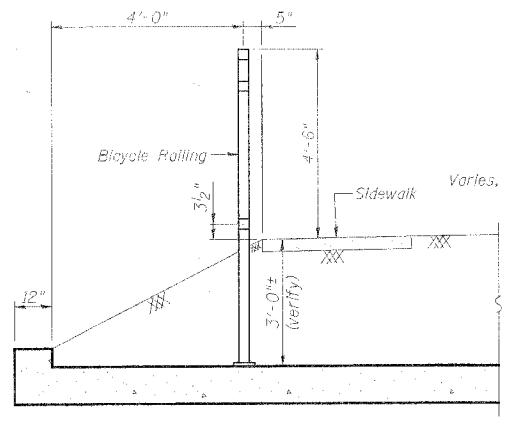
All posts, railing, splices, anchor devices, and bent plates shall be galvanized after shop fabrication according to AASHTO M 111 and ASTM A 385. All bolts, nuts, washers, and anchor rods shall be galvanized according to AASHTO M 232 except stainless steel bolts as noted.

Vent holes for galvanizing shall be placed in the posts and rails at locations that will not allow the accumulation of moisture in the members.

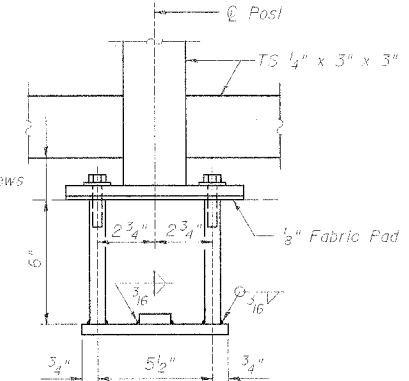
The chain link fence fabric shall conform to the requirements of Article 1006.27(a)(1), b or c of the Standard Specifications.



SECTION OFF CULVERT

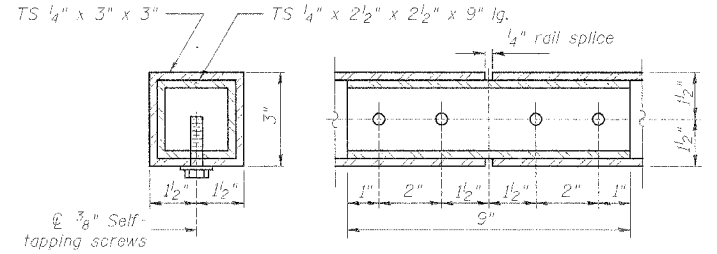
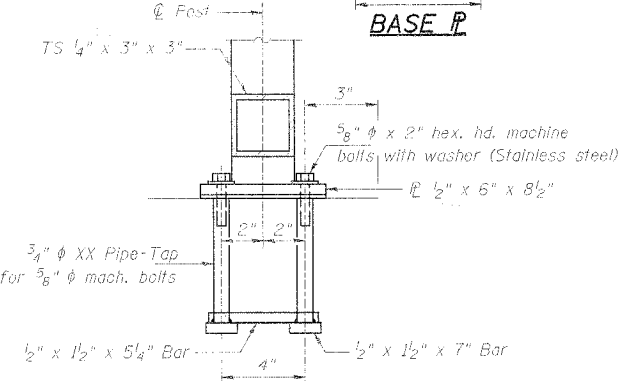


SECTION THRU CULVERT

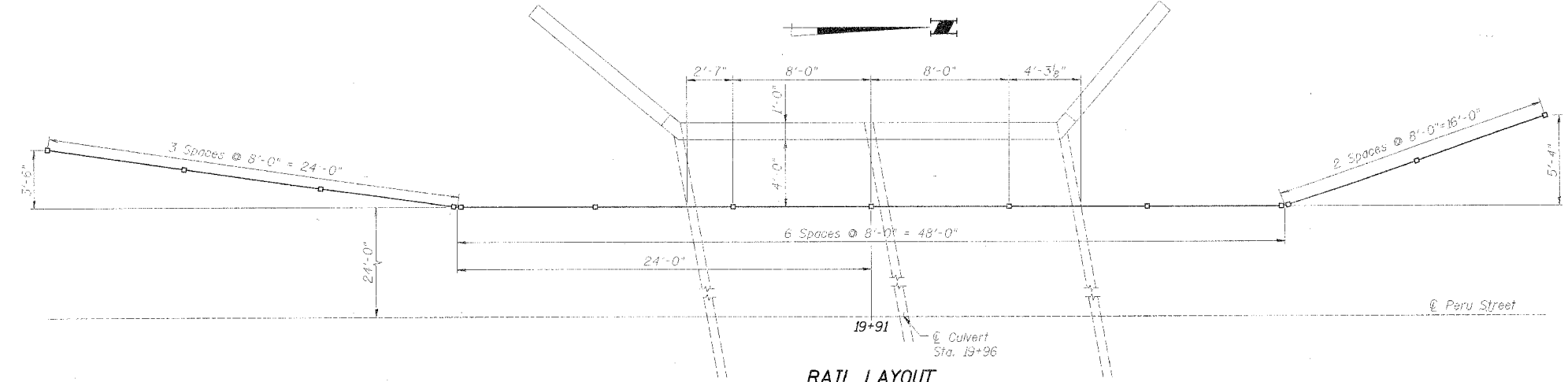


ANCHOR BOLT DETAILS

In lieu of the cast-in-place anchor device shown, the Contractor has the option of drilling and epoxy grouting 5/8" diameter anchor rods. Embedment shall be according to the manufacturer's specifications.



RAIL SPLICE



RAIL LAYOUT

BILL OF MATERIAL

Item	Unit	Quantity
Bicycle Railing	Foot	88

BICYCLE RAILING

BICYCLE RAILING DETAILS
PERU STREET OVER BR. of PAW PAW RUN
SECTION 03-00287-00-BR
STA. 19+96 (S.N. 052-6200)
LEE COUNTY
 WHA # 1231D03