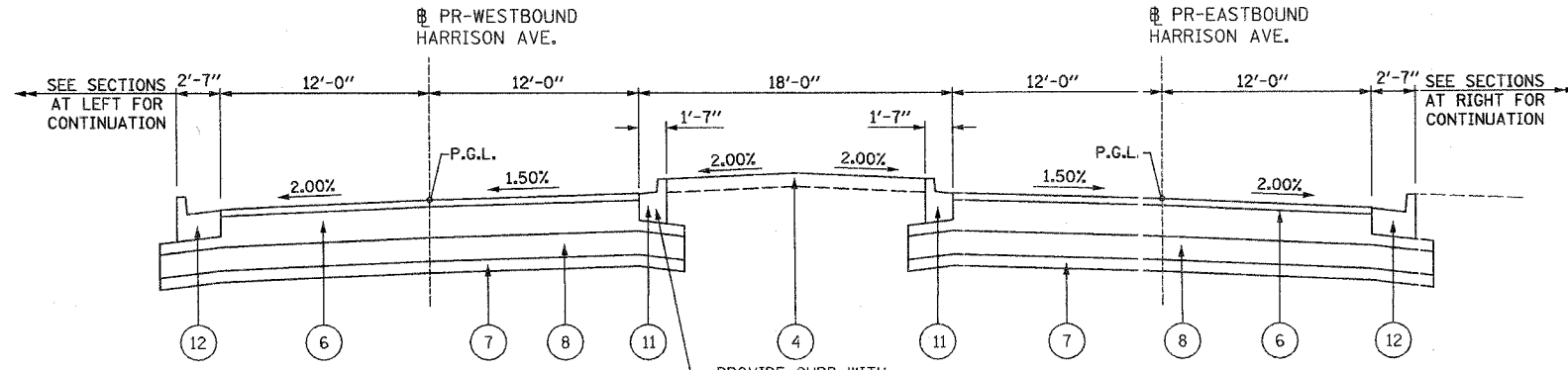
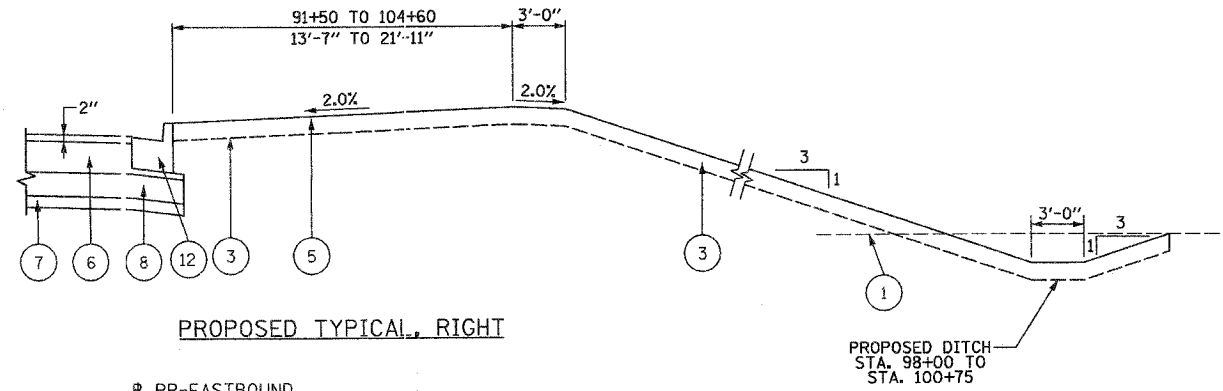
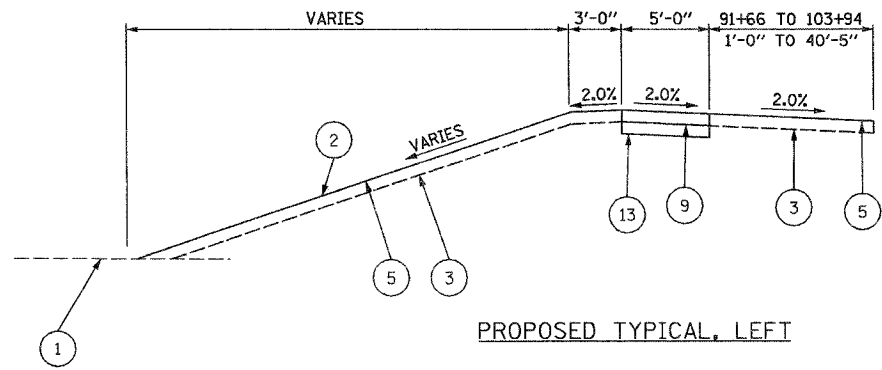
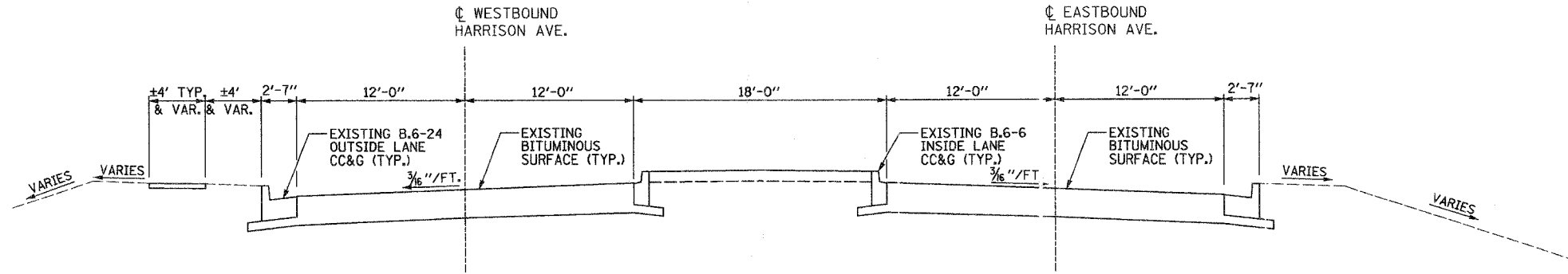


F.A.P. RTE.	SECTION	COUNTY	TOTAL SHEETS	SHEET NO.
525	02-00518-00-BR	WINNEBAGO	157	4
STA.		TO STA.		
FED. ROAD DIST. NO.		ILLINOIS FED. AID PROJECT		

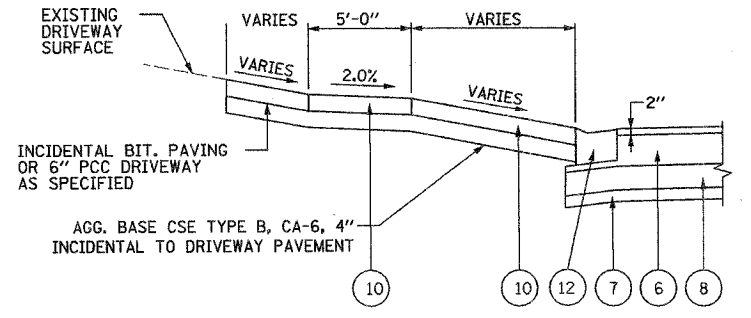
SHEET 1 OF 1



STA. 91+50 TO STA. 104+60

BRIDGE OMISSION

STA. 92+68 TO STA. 98+29



LEGEND

1 EXISTING GROUND LINE	7 PROPOSED SUB-BASE GRANULAR MATERIAL, TYPE B, 4"
2 PROPOSED GROUND LINE	8 PROPOSED SUB-BASE GRANULAR MATERIAL, TYPE A, 8"
3 PROPOSED TOPSOIL FURNISH AND PLACE, 4"	9 PROPOSED PORTLAND CEMENT CONCRETE SIDEWALK, 4"
4 PROPOSED CONCRETE MEDIAN SURFACE, 4"	10 PROPOSED PORTLAND CEMENT CONCRETE SIDEWALK, 6"
5 PROPOSED SEEDING, CLASS 2	11 PROPOSED COMBINATION CONCRETE CURB AND GUTTER, TYPE B-6.12
6 PROPOSED HOT MIX ASPHALT PAVEMENT FULL DEPTH, 13.5"	12 PROPOSED COMBINATION CONCRETE CURB AND GUTTER, TYPE B-6.24
	13 PROPOSED AGGREGATE BASE COURSE, TYPE B, 4"

BITUMINOUS PAVEMENT DESIGN

LOCATION(S):	HARRISON AVENUE, ROCKFORD, IL		TEMPORARY PAVEMENT	
MIXTURE USE(S):	11.5" BINDER COURSE	2" SURFACE COURSE	8.5" BINDER COURSE	2" SURFACE COURSE
PG:	PG58-28	PG58-28	PG58-23	PG58-28
RAP %: (MAX)**	UP TO 15%	UP TO 10%	UP TO 15%	UP TO 10%
DESIGN AIR VOIDS:	4% @ N70	4% @ N70	4% @ N70	4% @ N70
MIXTURE COMPOSITION: (GRADATION MIXTURE)	IL 19.0	IL 9.5 OR IL 12.5	IL 19.0	IL 9.5 OR IL 12.5
FRICTION AGGREGATE:	N/A	MIXTURE E	N/A	MIXTURE E
MIXTURE WEIGHT:	112 LB/SQ YD/IN	112 LB/SQ YD/IN	112 LB/SQ YD/IN	112 LB/SQ YD/IN

\*\* IF THE RAP OPTION IS SELECTED, THE ASPHALT CEMENT GRADE MAY NEED TO BE ADJUSTED. THIS WILL BE DETERMINED BY THE ENGINEER.

REVISIONS

NAME	DATE

ILLINOIS DEPARTMENT OF TRANSPORTATION

SECTION 02-00518-00-BR

WINNEBAGO COUNTY

HARRISON AVENUE OVER UPRR AND CC&PRR

TYPICAL SECTIONS

SCALE: VERT. HORIZ. DATE 12/14/06

DRAWN BY JDM CHECKED BY CPS

HANSON Professional Services Inc.

LAYOUT: CPS 10/03/06 mmh  
 DRAWN: JDM 12/14/06 12:48:06 01:07 PM  
 REVIEWED: CPS 12/14/06 1:03:06 03/15/06 mmh