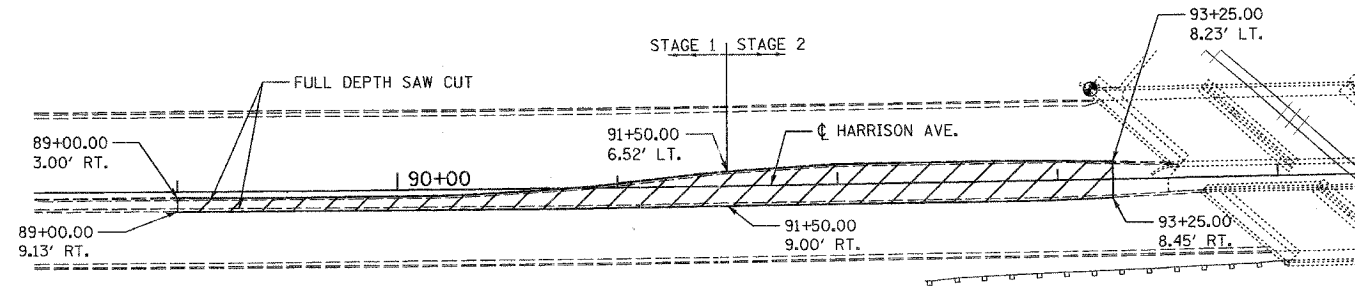
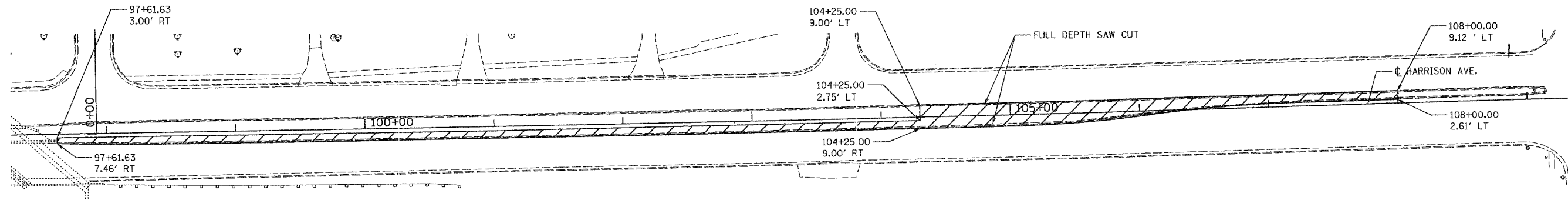


F.A.P. RTE.	SECTION	COUNTY	TOTAL SHEETS	SHEET NO.
525	02-00518-00-BR	WINNEBAGO	157	44
STA. TO STA.				
FED. ROAD DIST. NO.		ILLINOIS FED. AID PROJECT		

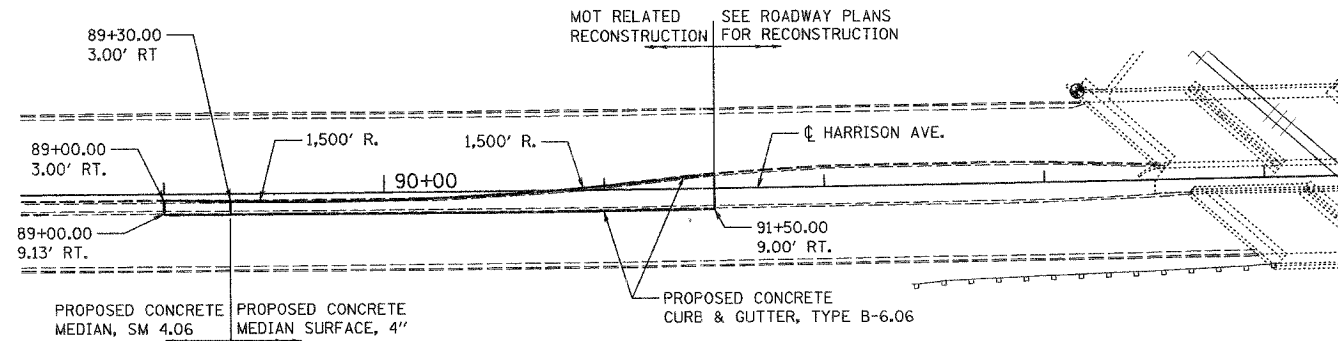


STAGE I AND STAGE II - REMOVAL OF EXISTING

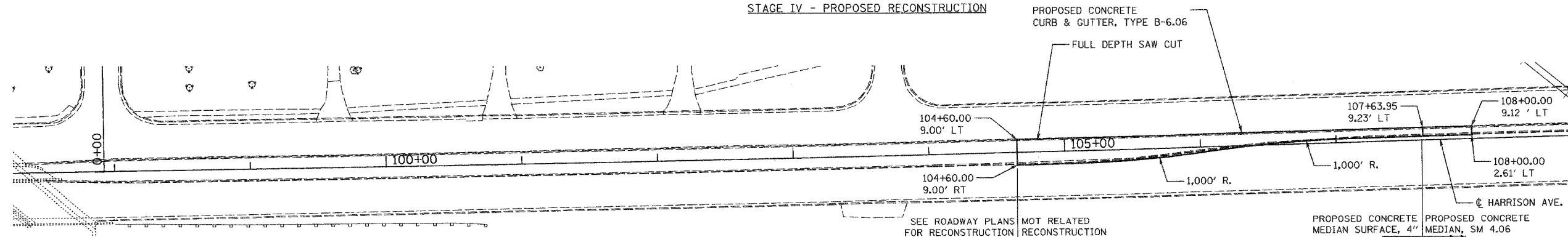
NOTE:
REMOVAL OF EXISTING FROM STA. 91+50.00 TO STA. 93+25.00 WILL OCCUR IN STAGE 2



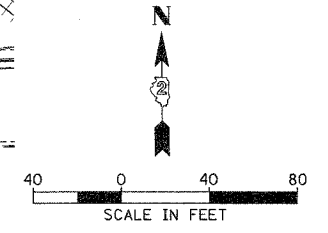
STAGE I - REMOVAL OF EXISTING



STAGE IV - PROPOSED RECONSTRUCTION



STAGE IV - PROPOSED RECONSTRUCTION



HANSON
Hanson Professional Services, Inc.

LAYOUT	RDJ	9/7/06	1/14/06
DRAWN	RDJ	9/7/06	12/14/06 09:57 AM
REVIEWED	RXC	11/21/06	1/03/06 03:59:59 PM

REVISIONS	
NAME	DATE

ILLINOIS DEPARTMENT OF TRANSPORTATION
SECTION 02-00518-00-BR
WINNEBAGO COUNTY
HARRISON AVENUE OVER UPRR AND CC&PRR
**MEDIAN RECONSTRUCTION
DETAIL**
SCALE: VERT. DRAWN BY RDJ
 HORIZ. CHECKED BY RXC
DATE 12/14/06