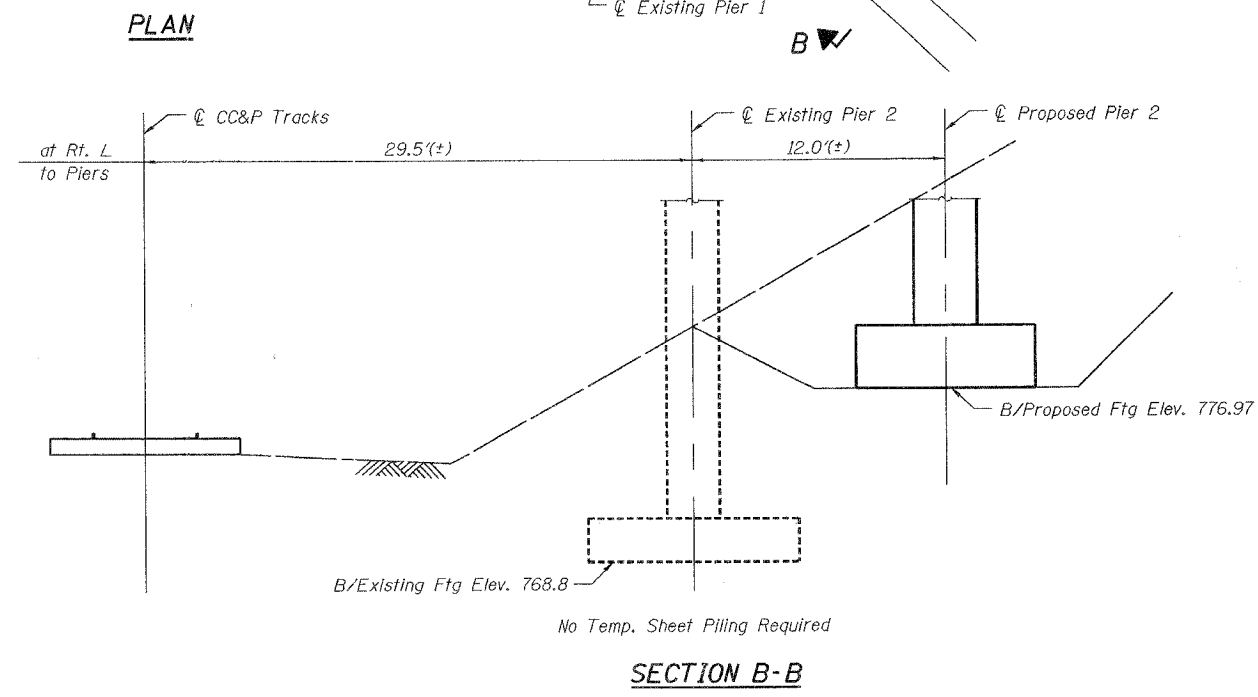
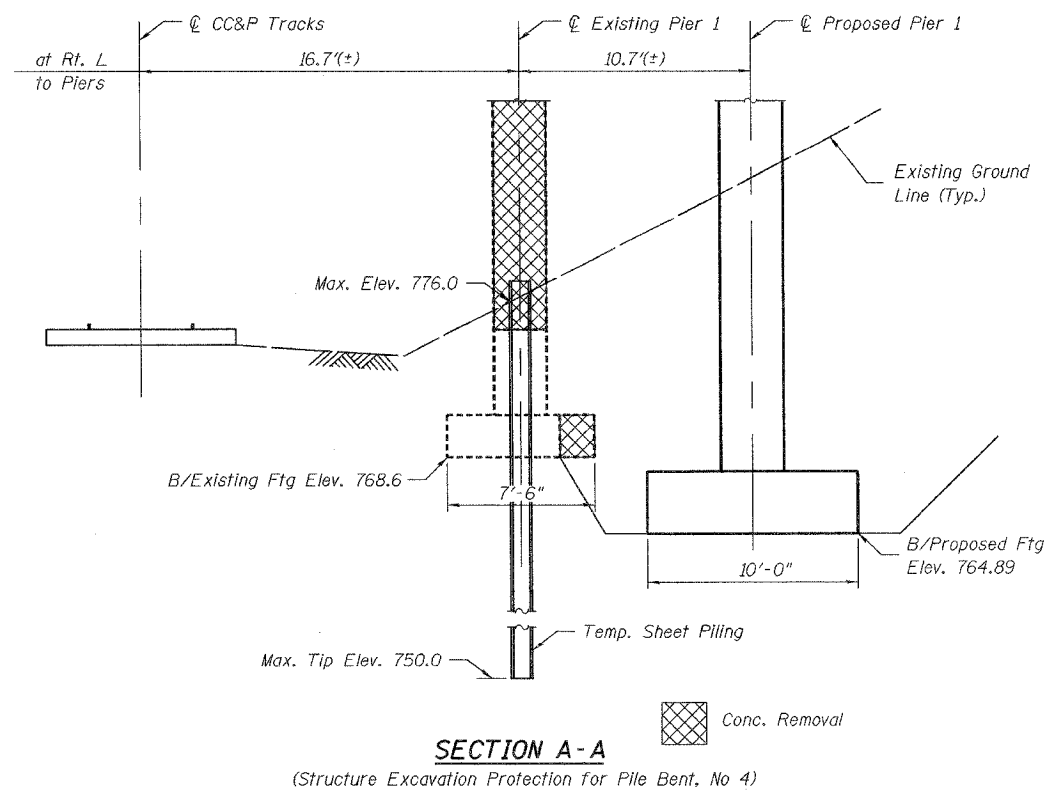
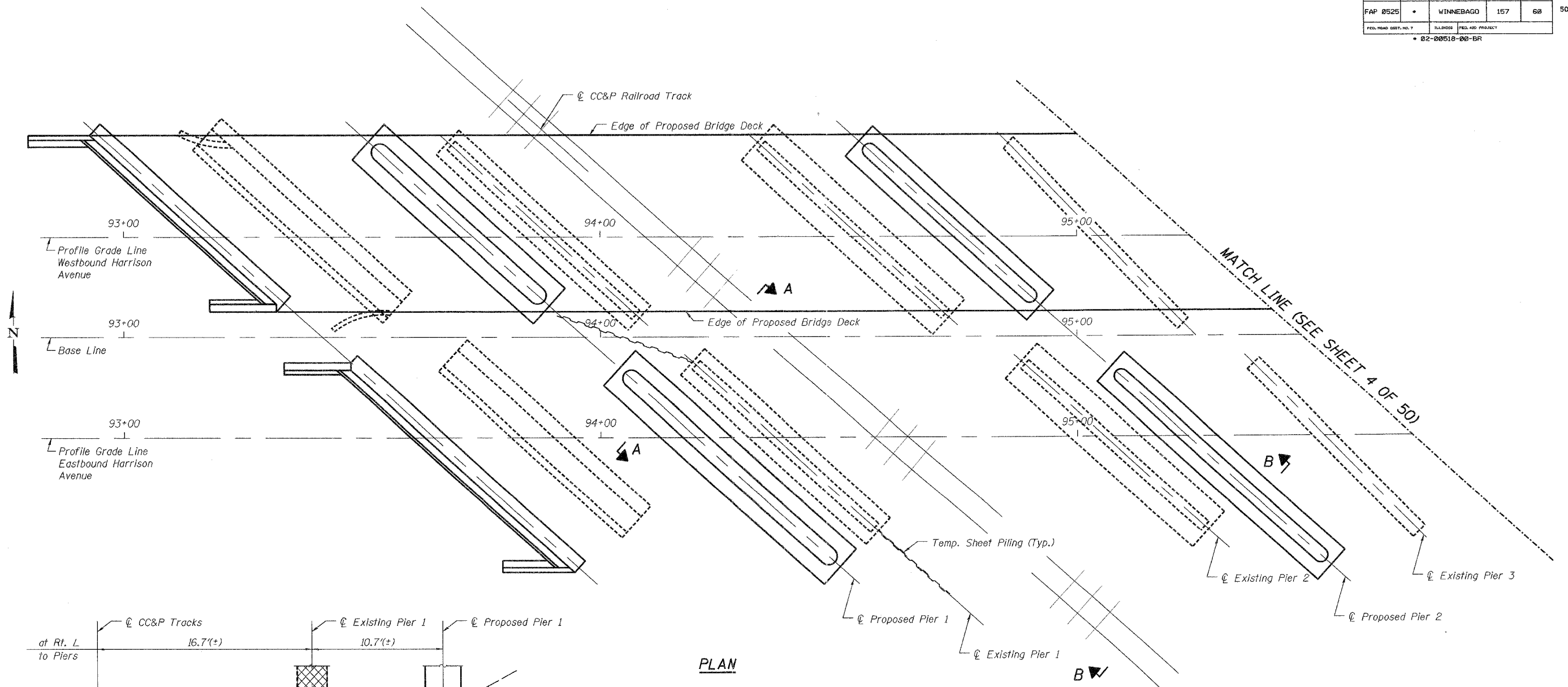


ROUTE NO.	SECTION	COUNTY	SHEET	SHEET	SHEET NO. 3
FAP 0525		WINNEBAGO	157	68	50 SHEETS
FED. ROAD DIST. NO. 7	ILLINOIS	FED. AID PROJECT			
• 02-00518-00-BR					



3:47:38 PM  
 12/12/2006 03:47 PM  
 I:\02\proj\03\07\5\Struct\Sheet\East Bound\S-002-EB-F\pilot.dgn  
 LAYOUT JKR 07/11/06  
 DRAWN JKR 07/19/06  
 REVIEWED SHK 08/04/06

Corporate License Number 184-001-084

**PIER EXCAVATION PROTECTION PLAN**

EASTBOUND HARRISON AVENUE  
 OVER UP & CC&P RAILROAD  
 F.A.P. ROUTE 0525  
 SECTION 02-00518-00-BR  
 ROCKFORD, ILLINOIS  
 STATION 95+72.00  
 STRUCTURE NO. 101-6111

© Copyright Hanson Professional Services Inc. 2006

JOB NO.  
03R1751

DATE  
12/14/06