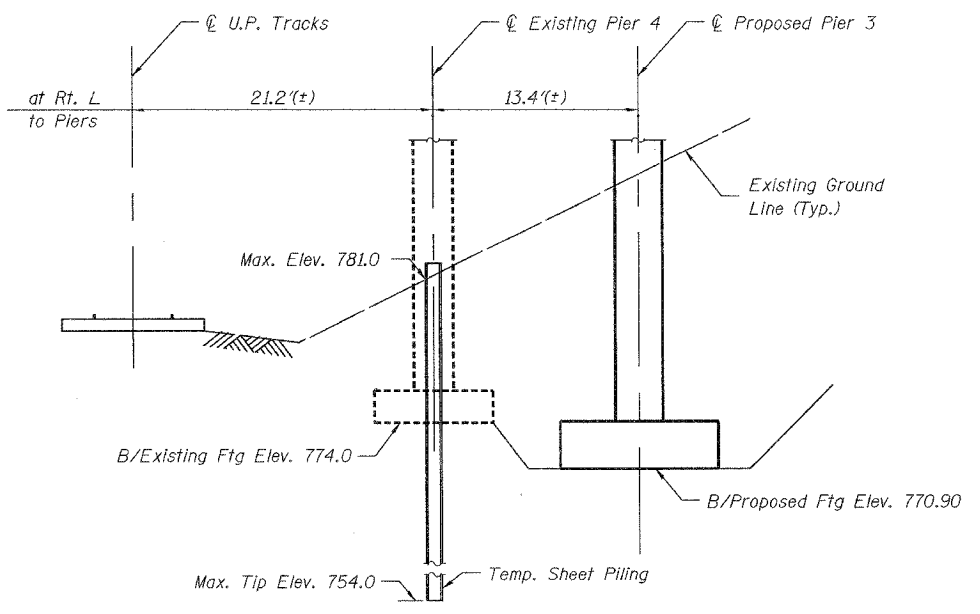
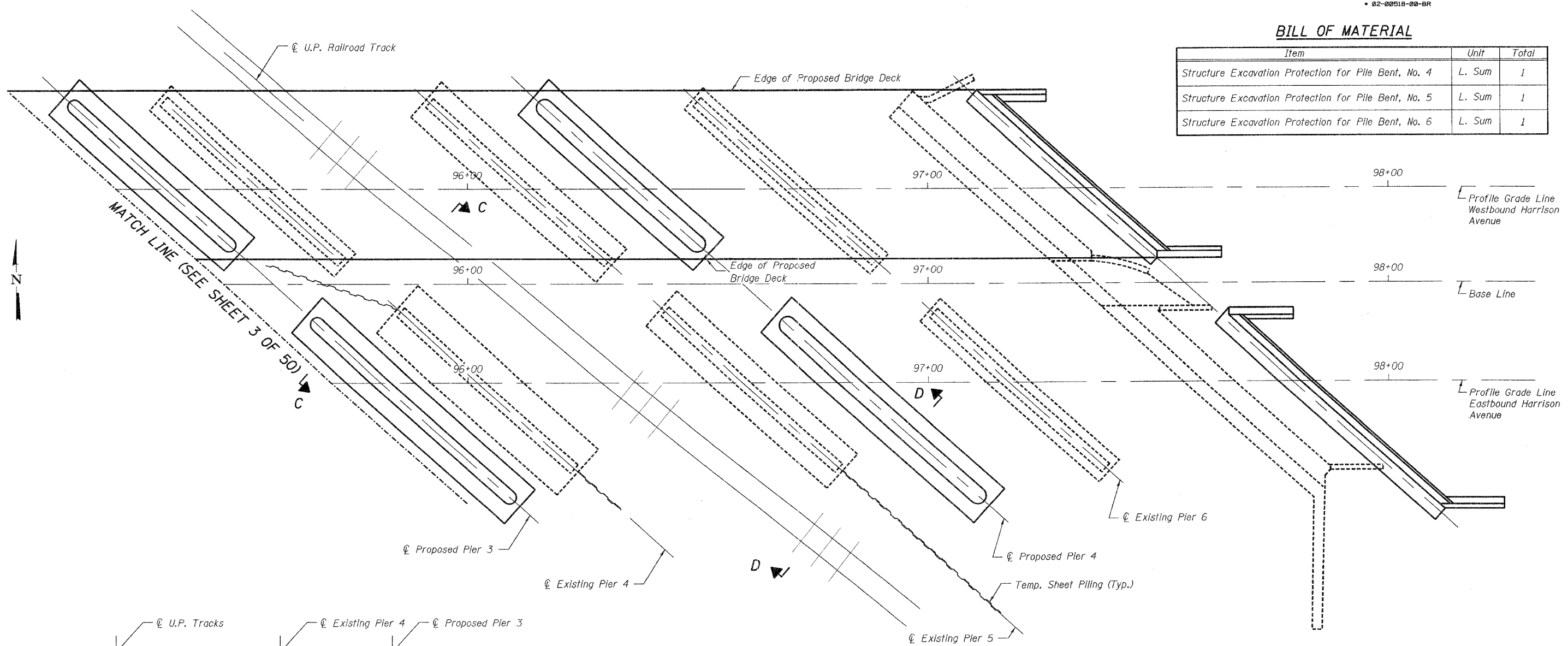


ROUTE NO.	SECTION	COUNTY	LEGS	SHEET NO.	SHEET NO.
FAP 0525	*	WINNEBAGO	157	61	4
FED. ROAD DIST. NO. 7					50 SHEETS
FED. AID PROJECT					
* 02-00518-00-BR					

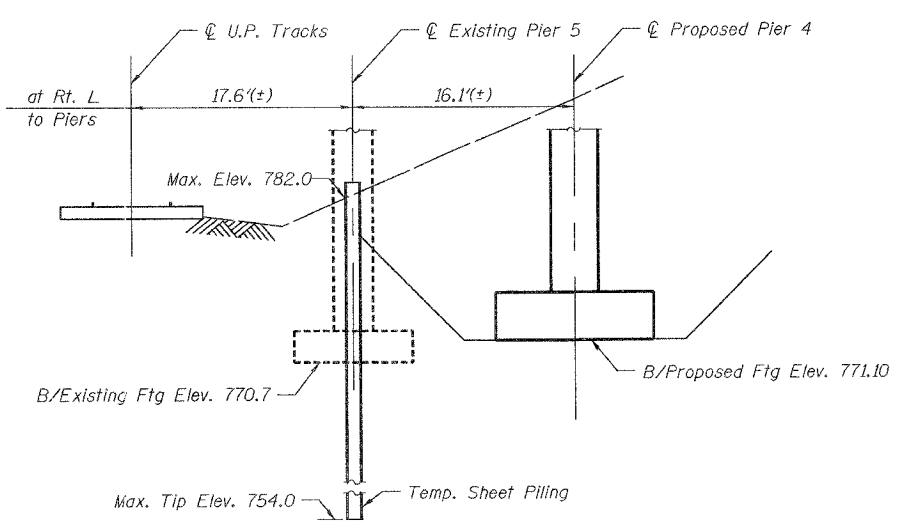
**BILL OF MATERIAL**

Item	Unit	Total
Structure Excavation Protection for Pile Bent, No. 4	L. Sum	1
Structure Excavation Protection for Pile Bent, No. 5	L. Sum	1
Structure Excavation Protection for Pile Bent, No. 6	L. Sum	1



**SECTION C-C**  
(Structure Excavation Protection for Pile Bent, No. 5)

**PLAN**



**SECTION D-D**  
(Structure Excavation Protection for Pile Bent, No. 6)

Corporate License Number 184-001-084

**PIER EXCAVATION PROTECTION PLAN**

EASTBOUND HARRISON AVENUE  
OVER UP & CC&P RAILROAD  
F.A.P. ROUTE 0525  
SECTION 02-00518-00-BR  
ROCKFORD, ILLINOIS  
STATION 95+72.00  
STRUCTURE NO. 101-6111

© Copyright Hanson Professional Services Inc. 2006

**HANSON**

DATE: 12/14/06

3:46:42 PM  
 12/14/06 03:48 PM  
 I:\03\Jobs\031717\5\Struct\Sheet\East Bound\02-00518-00-BR\PIER EXCAVATION PLAN.dgn  
 LAYOUT: 07/17/06  
 DRAWN: 07/19/06  
 REVIEWED: 10/24/06