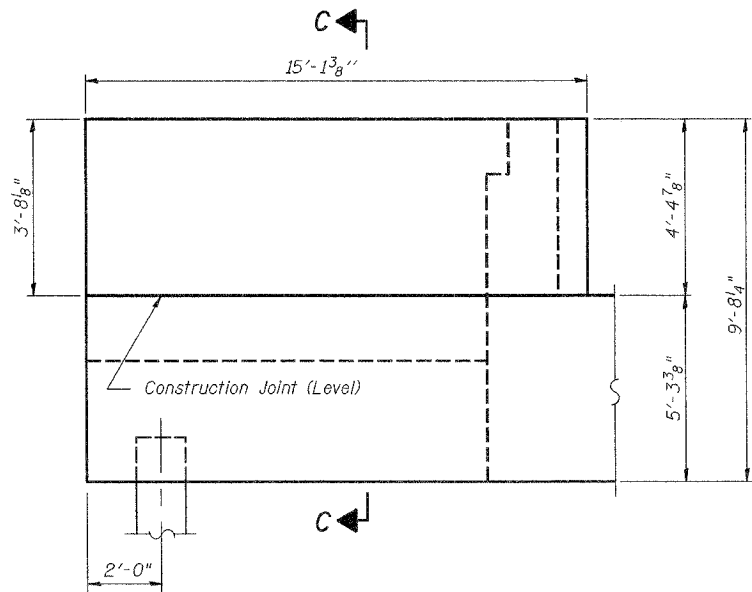
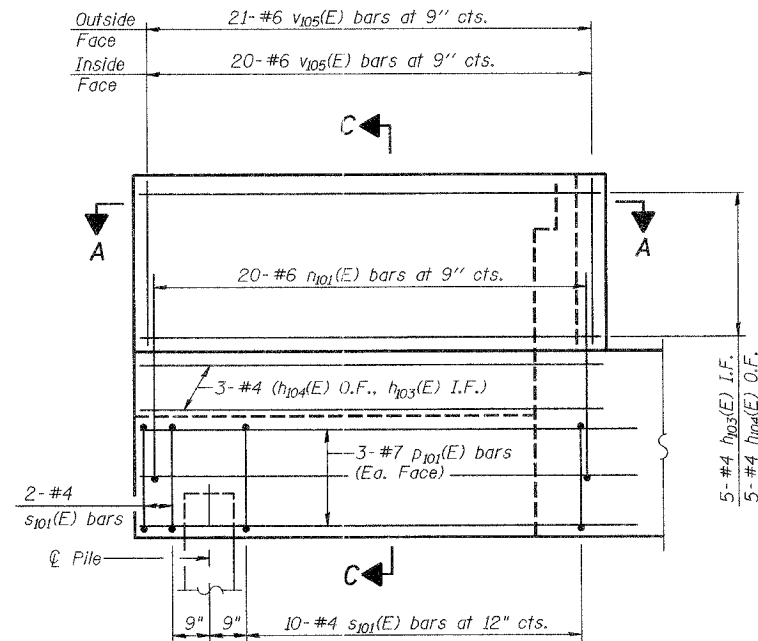


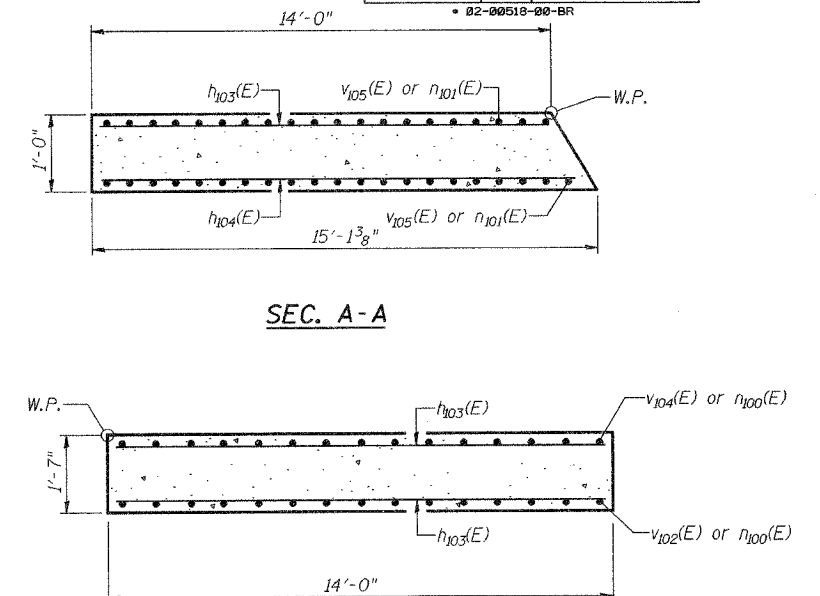
| | | | | | |
|-----------------------|---------|-----------|------------------|-------|--------------|
| ROUTE NO. | SECTION | COUNTY | SHEETS | SHEET | SHEET NO. 31 |
| FAP 0525 | * | WINNEBAGO | 157 | 88 | 50 SHEETS |
| FED. ROAD DIST. NO. 7 | | ILLINOIS | FED. AID PROJECT | | |
| 02-00518-00-BR | | | | | |



SOUTH WING WALL ELEVATION
Showing Dimensions

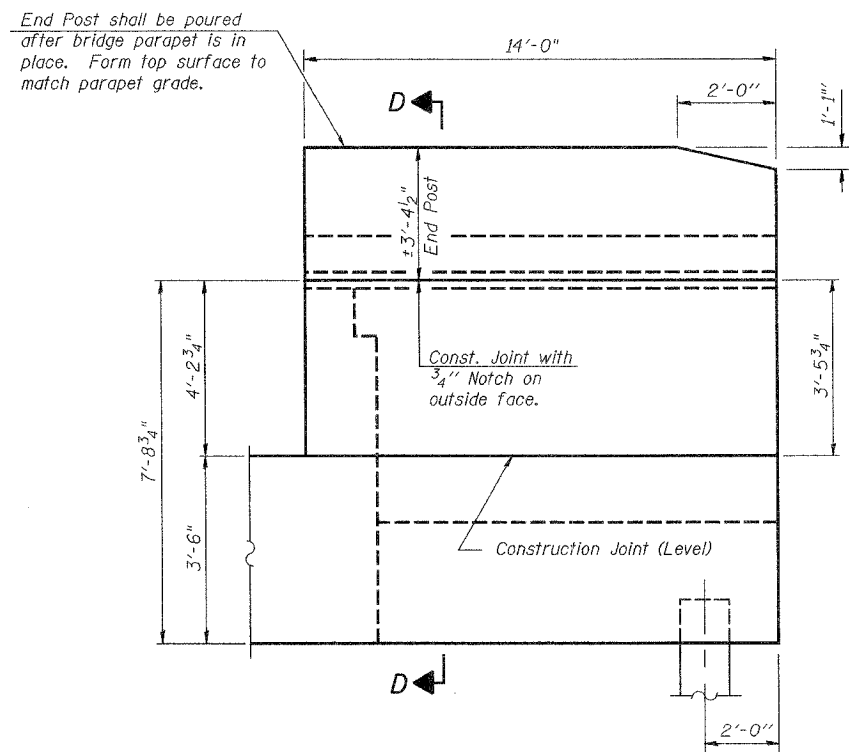


SOUTH WING WALL ELEVATION
Showing Reinforcement

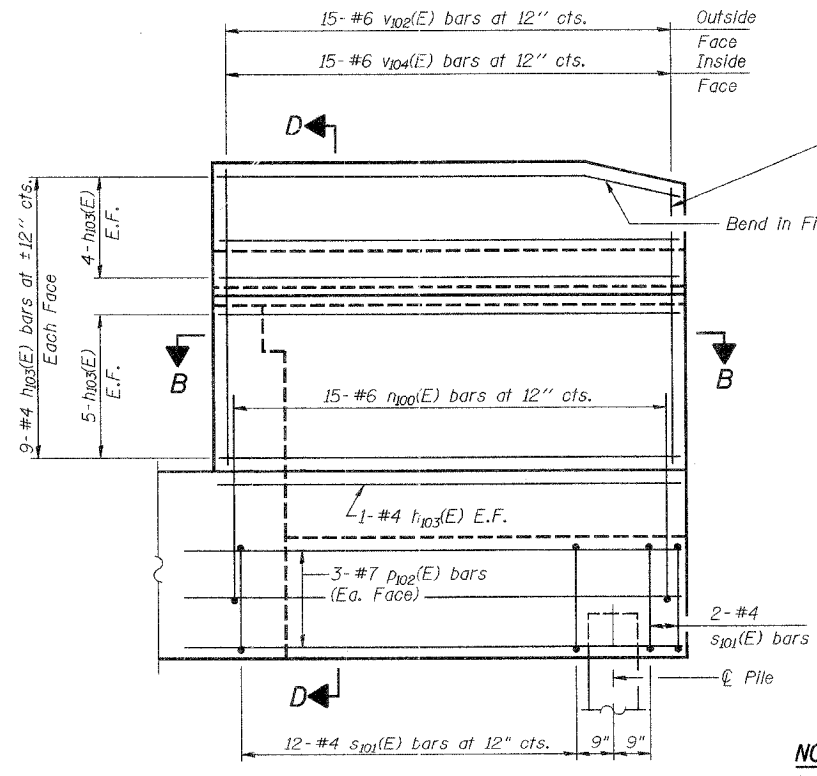


SEC. A-A

SEC. B-B



NORTH WING WALL ELEVATION
Showing Dimensions



NORTH WING WALL ELEVATION
Showing Reinforcement

Cut v102(E) & v104(E) bars in field to accommodate drop at end of End Post.

NOTES

Reinforcement bars designated (E) shall be epoxy coated. Quantity of concrete in end post included with Concrete Superstructure. Work this Sheet with Sheets 30 & 32 of 50. All edges have 3/4" chamfer unless noted. O.F. denotes Outside Face. I.F. denotes Inside Face. E.F. denotes Each Face.

End Post shall be poured after bridge parapet is in place. Form top surface to match parapet grade.

Corporate License Number 184-001-084

WEST ABUTMENT DETAILS

**EASTBOUND HARRISON AVENUE
OVER UP & CC&P RAILROAD
F.A.P. ROUTE 0525
SECTION 02-00518-00-BR
ROCKFORD, ILLINOIS
STATION 95+72.00
STRUCTURE NO. 101-6111**

© Copyright Hanson Professional Services Inc. 2006



JOB NO.

03R1751

DATE

12/14/06

100650 AM 5/30/06
12/13/2006 10:06 AM
1/03/06 03:07:51 StructSheet-East Boun/S-03-EB West/abutDwg

| | | |
|----------|---------|---------|
| LAYOUT | SMK | 5/30/06 |
| DRAWN | MDM/JKR | 8/14/06 |
| REVIEWED | JKR | 8/14/06 |