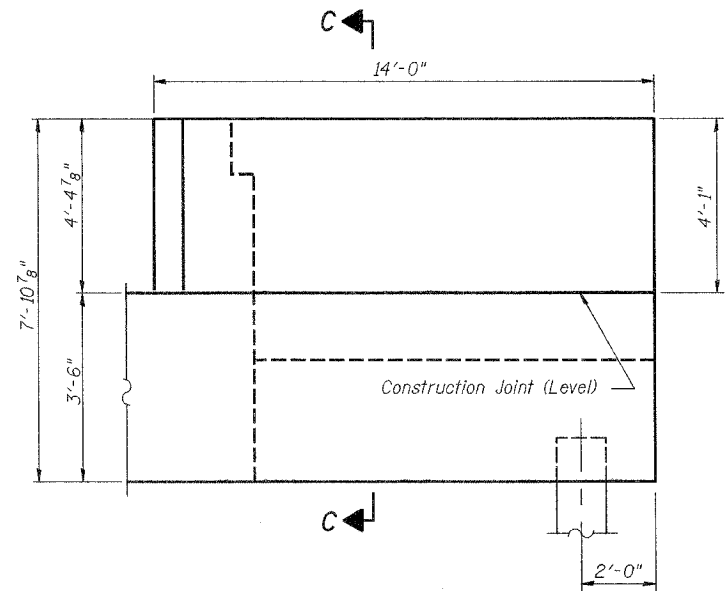
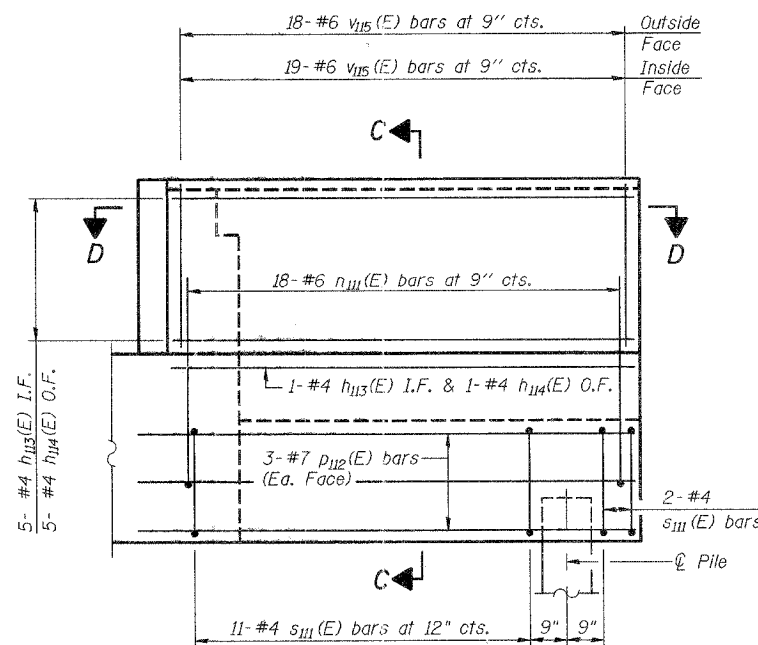


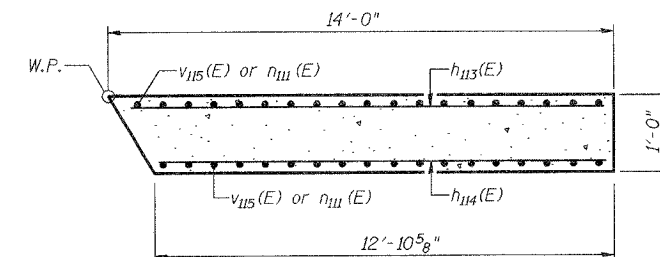
ROUTE NO.	SECTION	COUNTY	SHEET	DATE	SHEET NO.
FAP 0525	*	WINNEBAGO	157	91	34
FEL. ROAD DIST. NO. 7					50 SHEETS
ILLINOIS					
* 02-00518-00-BR					



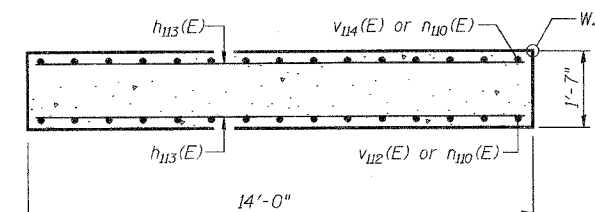
SOUTH WING WALL ELEVATION
Showing Dimensions



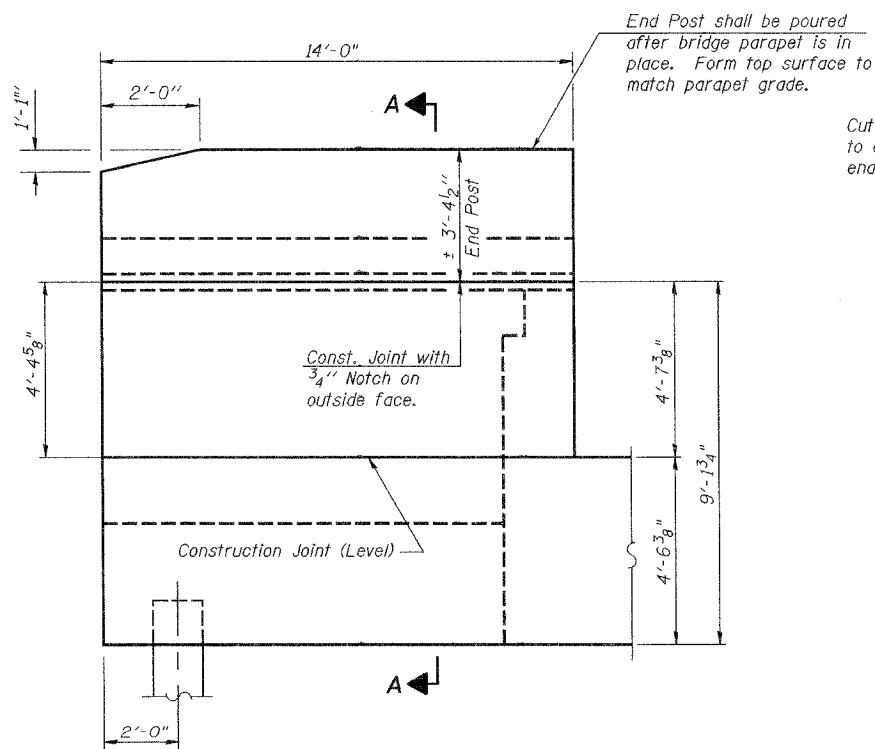
SOUTH WING WALL ELEVATION
Showing Reinforcement



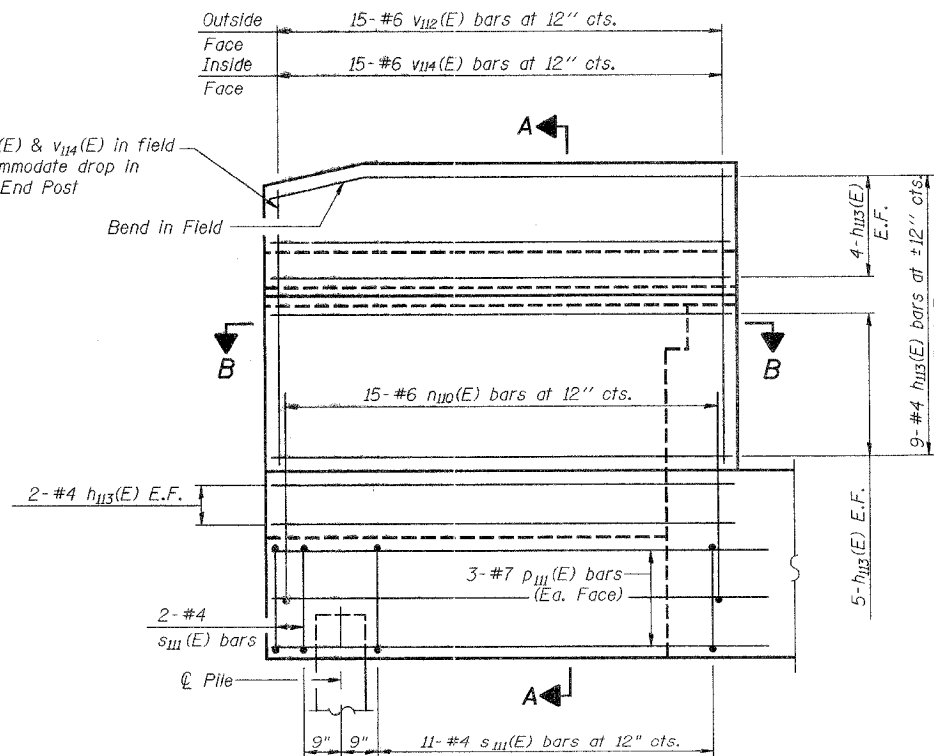
SEC. D-D



SEC. B-B



NORTH WING WALL ELEVATION
Showing Dimensions



NORTH WING WALL ELEVATION
Showing Reinforcement

NOTES

Reinforcement bars designated (E) shall be epoxy coated. Quantity of concrete in end post included with Concrete Superstructure.
Work this Sheet with Sheets 33 & 35 of 50. All edges have 3/4" chamfer unless noted. For details of Bar Splicers, see Sheet 44 of 50. O.F. denotes Outside Face. I.F. denotes Inside Face. E.F. denotes Each Face.

Corporate License Number 184-001-084

EAST ABUTMENT DETAILS

**EASTBOUND HARRISON AVENUE
OVER UP & CC&P RAILROAD
F.A.P. ROUTE 0525
SECTION 02-00518-00-BR
ROCKFORD, ILLINOIS
STATION 95+72.00
STRUCTURE NO. 101-6111**

© Copyright Hanson Professional Services Inc. 2006



JOB NO.
03R1751
DATE
12/14/06

10/06/08 AM
 12/13/2006 10:01 AM
 I:\03\jobs\03R1751\Struct\Steel-East\BundAS-03H-EB-East\BundD2.dgn
 LAYOUT JKR/SJK/06/01/06
 DRAWN MCM/JKR/07/14/06
 REVIEWED JKR 08/14/06