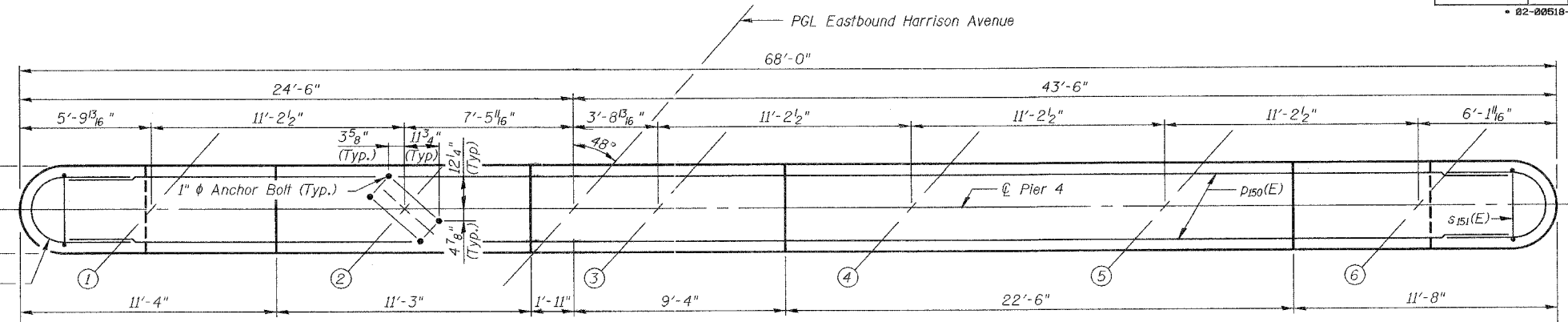


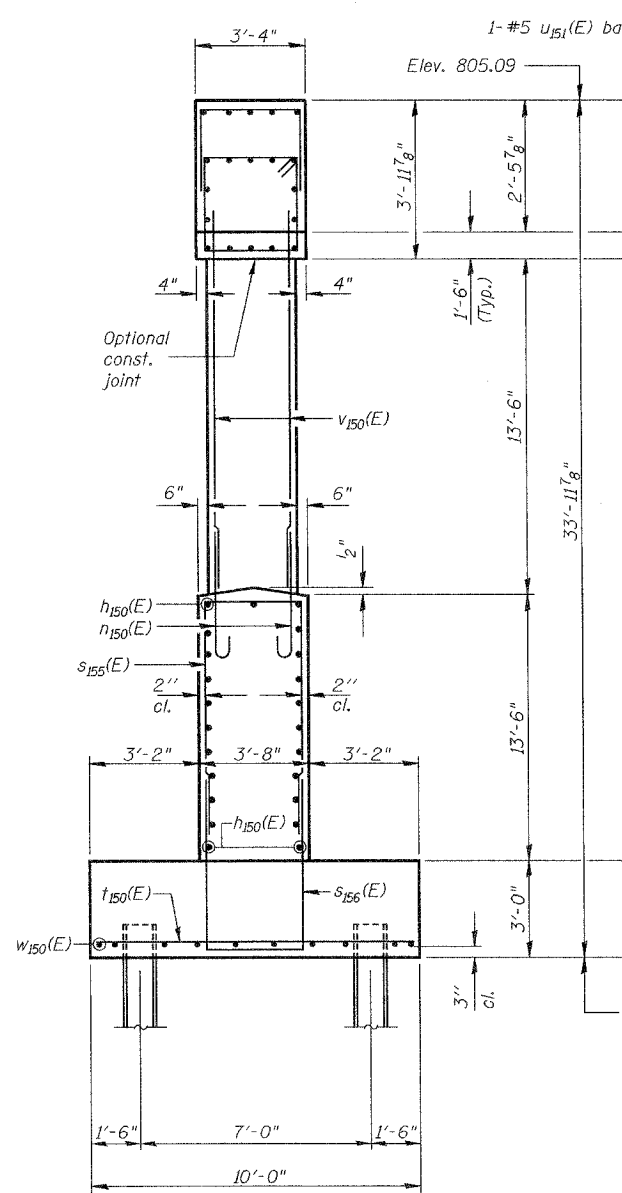
ROUTE NO.	SECTION	COUNTY	STATE	SHEET	SHEET NO.
FAP 0525	*	WINNEBAGO	IL	99	42
ILLINOIS FEDERAL PROJECT					50 SHEETS
* 02-00518-00-BR					

NOTES

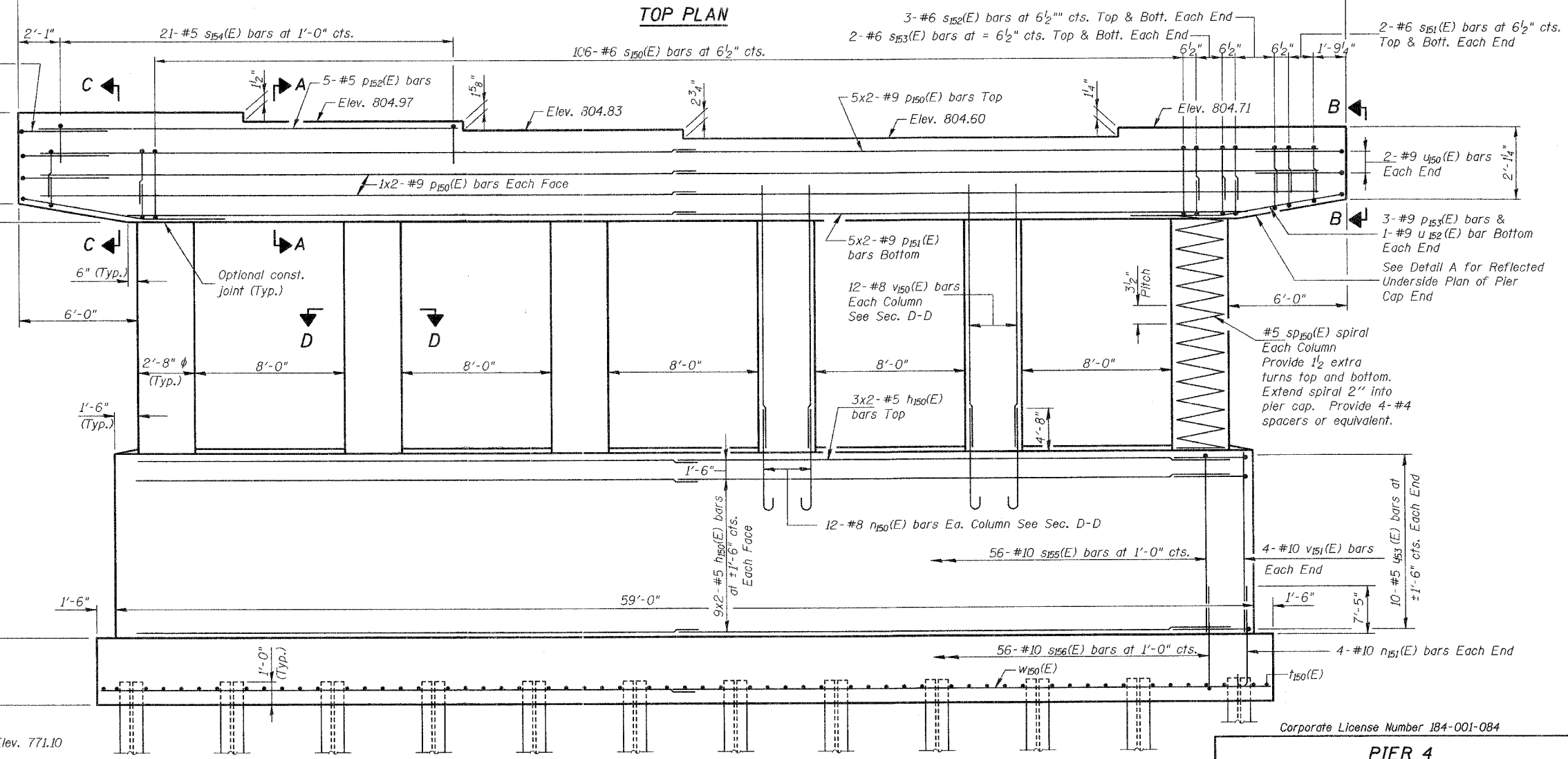
Space Reinforcement in cap to miss anchor bolts.
 Pour steps monolithically with cap.
 Work this sheet with Sheet 43 of 50.
 Reinforcement Bars designated (E) shall be epoxy coated.
 Bar indicated thus 1x2 - #5 etc. indicates 1 line of bar with 2 lengths per line.



TOP PLAN



END VIEW



ELEVATION
(Looking Northeast)

MINIMUM BAR LAP

- HORIZONTAL**
- #5 - 2'-2" (Bottom of Footing)
 - #5 - 3'-0"
 - #9 - 8'-1"

Corporate License Number 184-001-084

PIER 4

EASTBOUND HARRISON AVENUE
 OVER UP & CC&P RAILROAD
 F.A.P. ROUTE 0525
 SECTION 02-00518-00-BR
 ROCKFORD, ILLINOIS
 STATION 95+72.00
 STRUCTURE NO. 101-6111

© Copyright Hanson Professional Services Inc. 2006



JOB NO.
03R1751
DATE
12/14/06

3:22:35 PM 3/20/06
 12/2/2006 03:22 PM 3/20/06
 R:\03\00518\00-BR\Pier-4.dgn
 LAYOUT: 3/20/06
 DRAWN: MDM/AMR 7/24/06
 REVIEWED: FLN 08/04/06