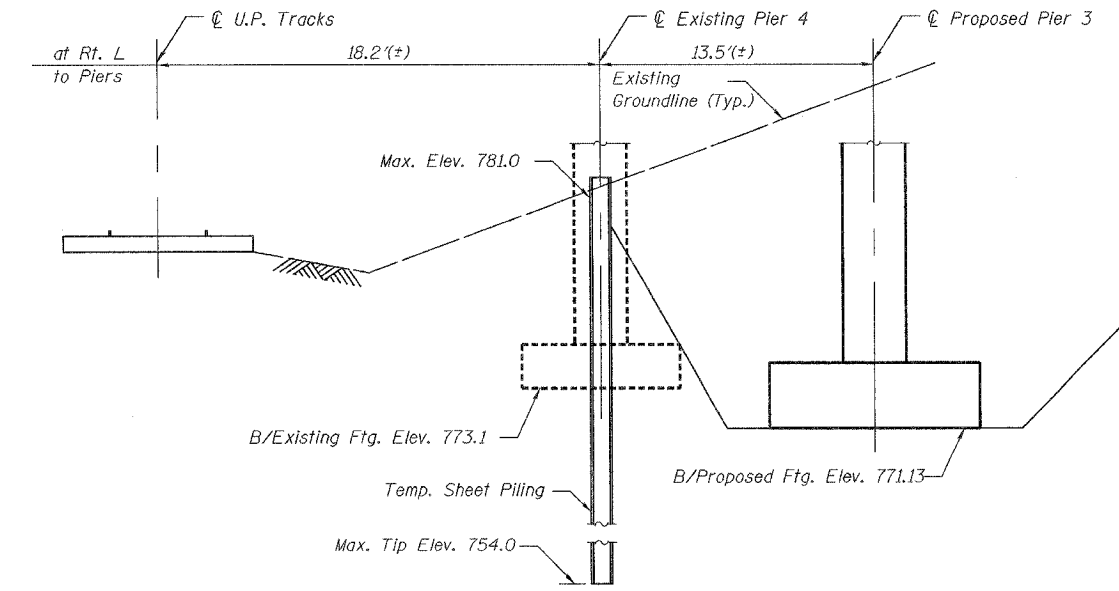
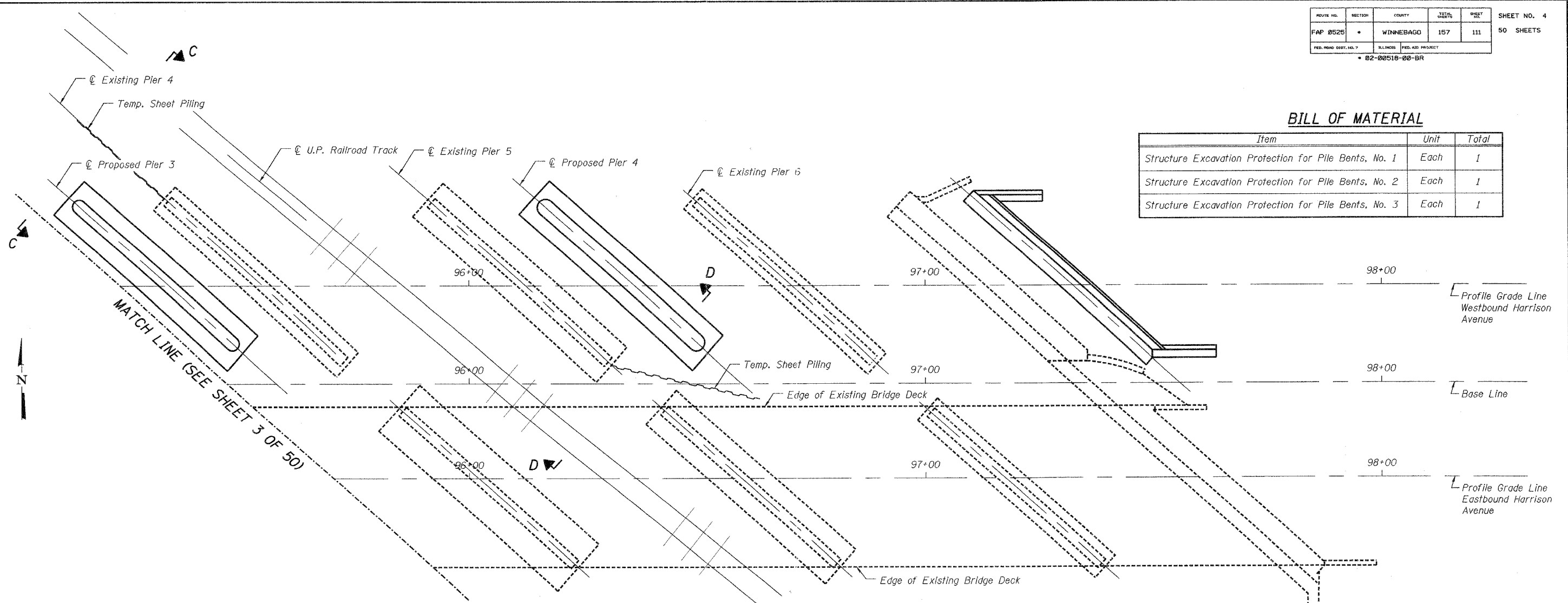


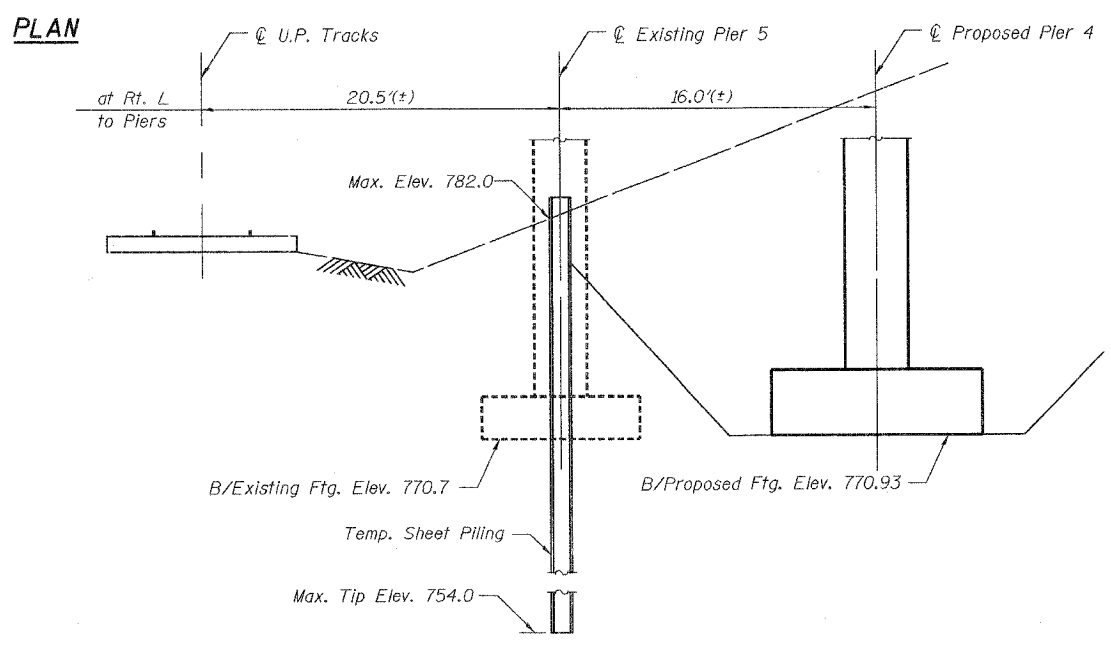
ROUTE NO.	SECTION	COUNTY	TOTAL SHEETS	SHEET NO.	SHEET NO.
FAP 0525	*	WINNEBAGO	157	111	50 SHEETS
FED. ROAD DIST. DIST. 7		ILLINOIS	FED. AID PROJECT		
* 02-00518-00-BR					

**BILL OF MATERIAL**

Item	Unit	Total
Structure Excavation Protection for Pile Bents, No. 1	Each	1
Structure Excavation Protection for Pile Bents, No. 2	Each	1
Structure Excavation Protection for Pile Bents, No. 3	Each	1



**SECTION C-C**  
(Structure Excavation Protection for Pile Bents, No. 2)



**SECTION D-D**  
(Structure Excavation Protection for Pile Bents, No. 3)

**PLAN**

1:06:23 PM 12/14/06 04:08 PM  
 I:\03\00518-00\BR\Struct\Sheet\West Bound\02-00518-00-BR-For\Inlay\inlay.dgn

LAYOUT	JKR	07/11/06
DRAWN	JKR	07/18/06
REVIEWED	SMK	09/02/06

Corporate License Number 184-001-084

**PIER EXCAVATION PROTECTION PLAN**

**WESTBOUND HARRISON AVENUE**  
**OVER UP & CC&P RAILROAD**  
**F.A.P. ROUTE 0525**  
**SECTION 02-00518-00-BR**  
**ROCKFORD, ILLINOIS**  
**STATION 95+25.35**  
**STRUCTURE NO. 101-6109**

© Copyright Hanson Professional Services Inc. 2006

	JOB NO. 03R1751
	DATE 12/14/06