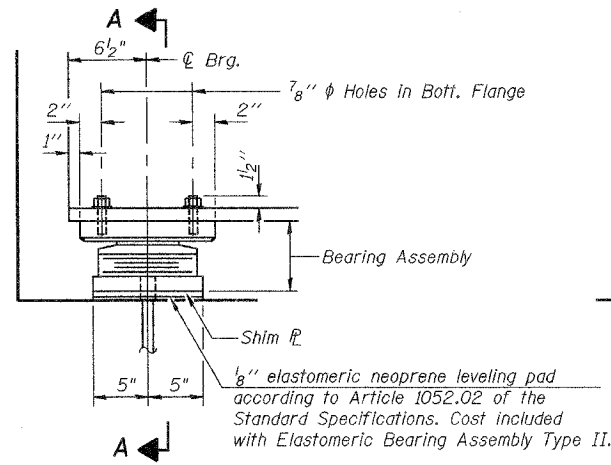
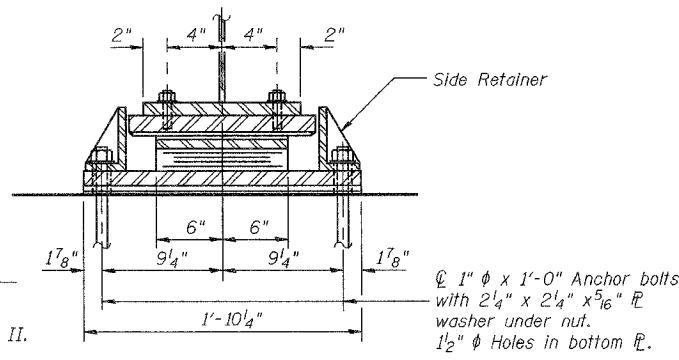


ROUTE NO.	SECTION	COUNTY	SHEET	SHEET NO.
FAP 0525		WINNEBAGO	157	133
PROJECT NO. 02-00518-00-BR				

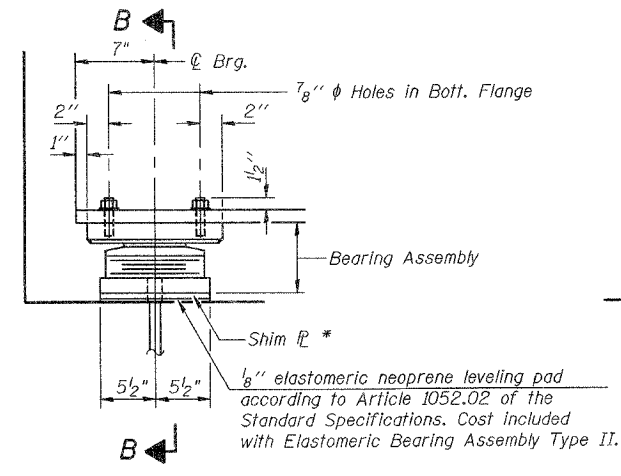
50 SHEETS



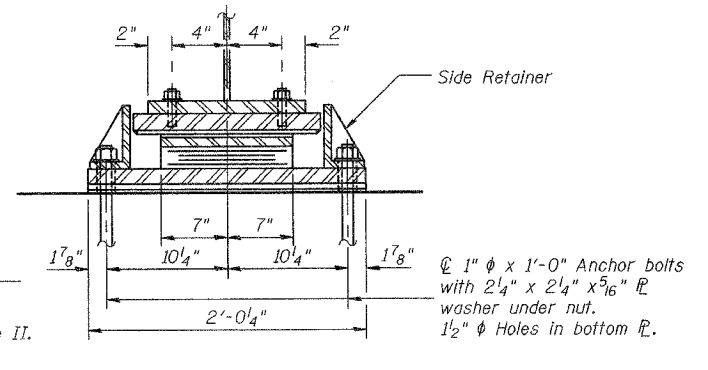
ELEVATION AT W. ABUT.



SECTION A-A



ELEVATION AT E. ABUT.

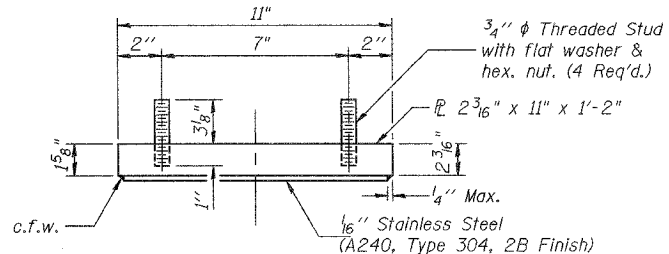


SECTION B-B

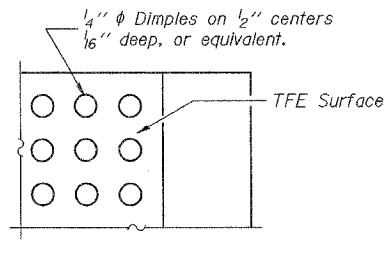
**TYPE II ELASTOMERIC EXP. BRG. AT W. ABUT.**

\* Contractor shall provide additional steel shim(s) as required beneath Beam 1 at East Abutment to result in an elevation difference between top of Beam 1 and top of Beam 2 of 3/4". (Beam 1 is higher). Total estimated shim height = 3/4". (Contractor to field verify) Contractor shall provide additional steel shim(s) as required beneath Beam 4 at East Abutment to result in an elevation difference between top of Beam 4 and top of Beam 3 of 1/2". (Beam 4 is higher). Total estimated shim height = 1/2". (Contractor to field verify) Shim plate(s) shall be the full dimension of the bottom bearing plate. Cost of shims is included with Elastomeric Bearing Assembly Type II.

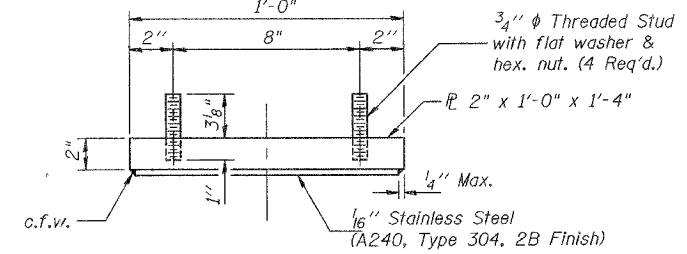
**TYPE II ELASTOMERIC EXP. BRG. AT E. ABUT.**



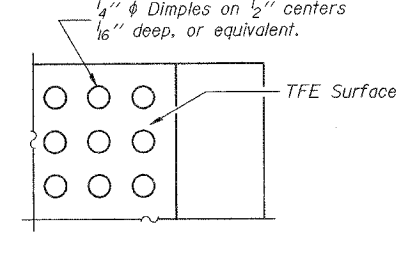
W. ABUT. TOP BEARING ASSEMBLY



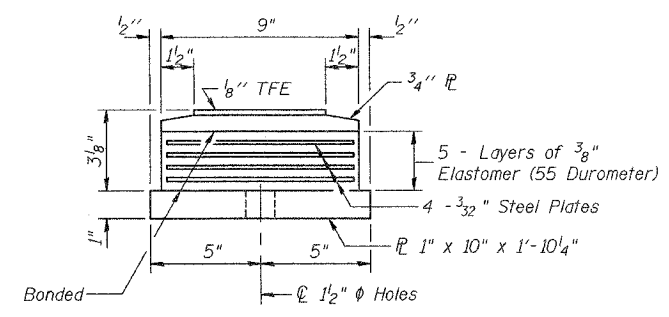
W. ABUT. PLAN-TFE SURFACE



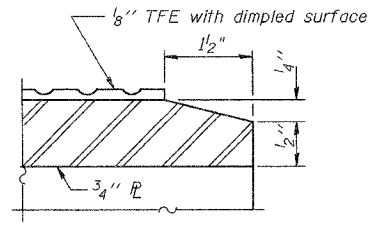
E. ABUT. TOP BEARING ASSEMBLY



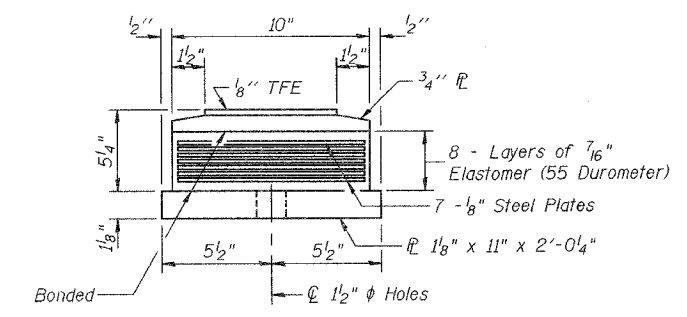
E. ABUT. PLAN-TFE SURFACE



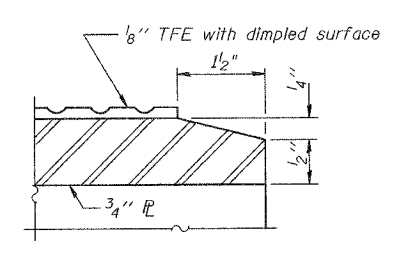
W. ABUT. BOTTOM BEARING ASSEMBLY



W. ABUT. SECTION THRU TFE



E. ABUT. BOTTOM BEARING ASSEMBLY



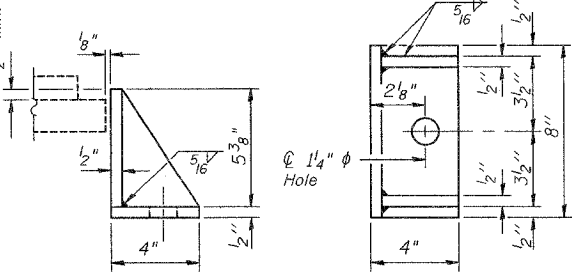
E. ABUT. SECTION THRU TFE

**BILL OF MATERIAL**

Item	Unit	Total
Elastomeric Bearing Assembly Type II	Each	10

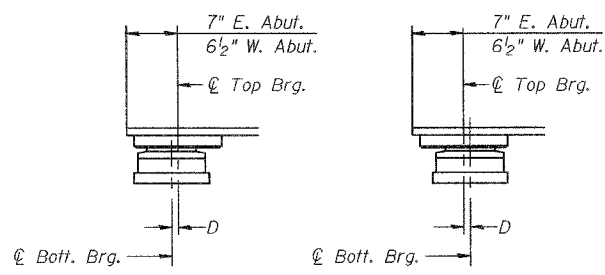
**NOTES**

The 1/8" TFE sheet shall be bonded directly to the top steel plate with a two-component, medium viscosity epoxy resin, conforming to the requirements of the Federal Specification MMM-A-134, Type I. The bond agent shall be applied on the full area of the contact surfaces. Bonding of 1/8" TFE sheet during vulcanizing process will be permitted provided the process and method of adjusting assembly height is approved by the Engineer. All structural steel bearing plates for Elastomeric Bearing Assemblies shall be AASHTO M270, Grade 50. Anchor bolts shall be high strength bolts (AASHTO M164, Type 1 or 2). See Sheet 29 of 50 for Anchor Bolt Installation.



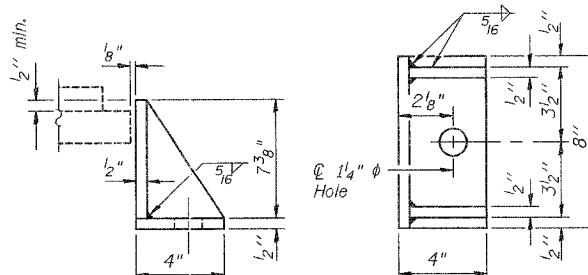
W. ABUT. SIDE RETAINER

Equivalent rolled angle with stiffeners will be allowed in lieu of welded plates. Weight included with Structural Steel.



SETTING ANCHOR BOLTS AT EXP. BRG.

D=1/8" per each 100' of expansion for every 15° temp. change from the normal temp. of 50°F.



E. ABUT. SIDE RETAINER

Equivalent rolled angle with stiffeners will be allowed in lieu of welded plates. Weight included with Structural Steel.

Corporate License Number 184-001-084

**BEARING DETAILS**

WESTBOUND HARRISON AVENUE  
OVER UP & CC&P RAILROAD  
F.A.P. ROUTE 0525  
SECTION 02-00518-00-BR  
ROCKFORD, ILLINOIS  
STATION 95+25.35  
STRUCTURE NO. 101-6109

© Copyright Hanson Professional Services Inc. 2006

**HANSON**

JOB NO. 03R1751  
DATE 12/14/06

163254 PM 12/14/06  
 12/14/06 12:32 PM  
 12/15/04  
 12/15/04  
 08/02/06  
 08/02/06  
 08/02/06