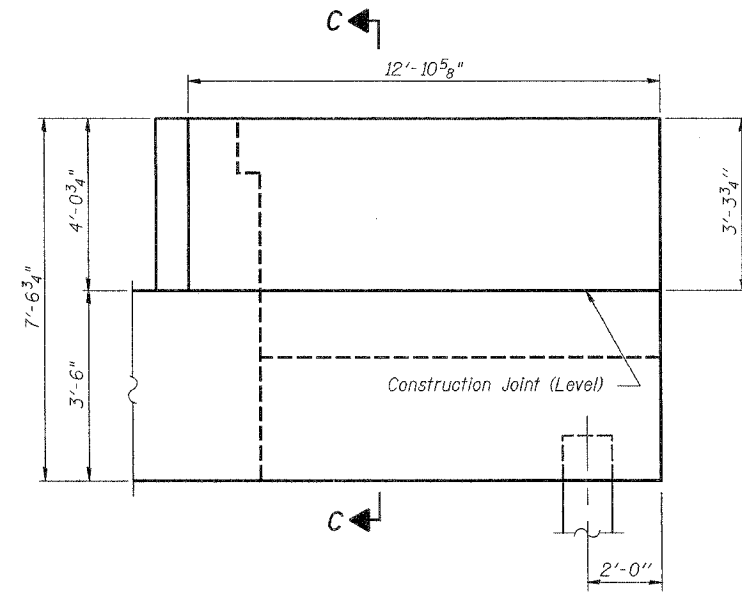
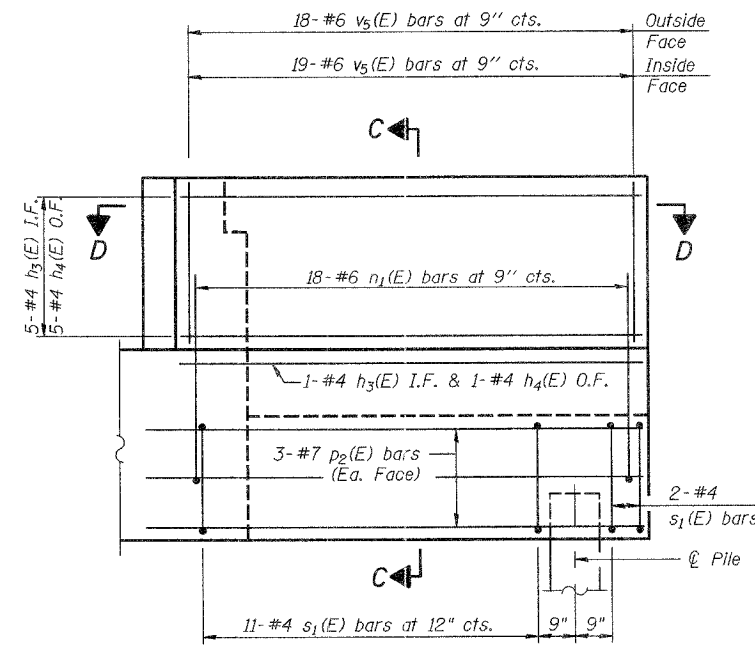


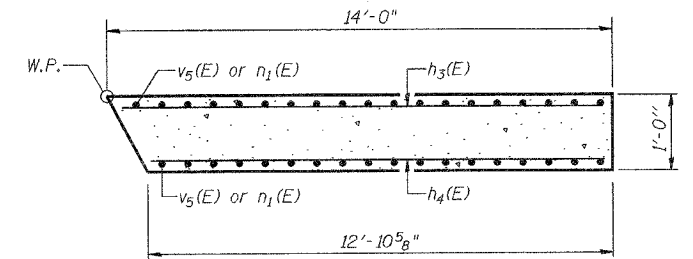
ROUTE NO.	SECTION	COUNTY	SHEET	SHEET	SHEET NO. 31
FAP 0525		WINNEBAGO	157	138	50 SHEETS
FED. ROAD DIST. NO. 7		BLANDED	FED. AID PROJECT		
• 02-00518-00-BR					



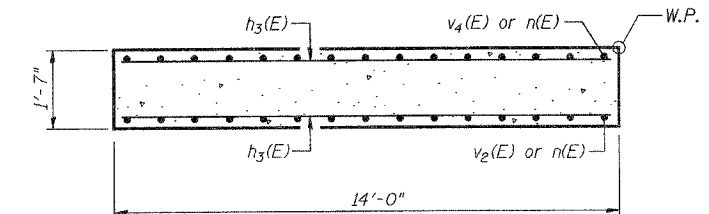
NORTH WING WALL ELEVATION
Showing Dimensions



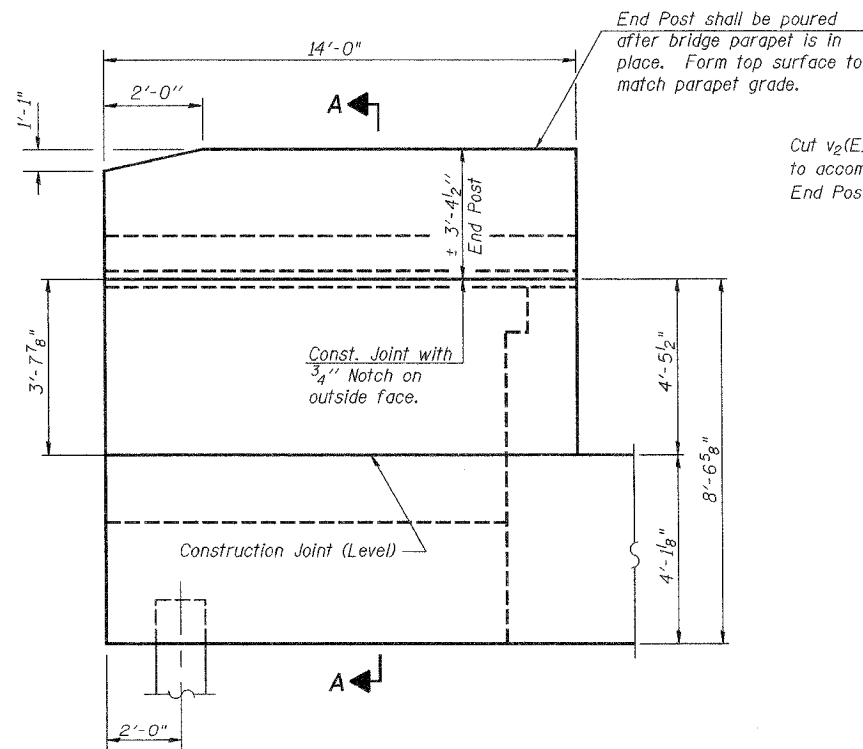
NORTH WING WALL ELEVATION
Showing Reinforcement



SEC. D-D

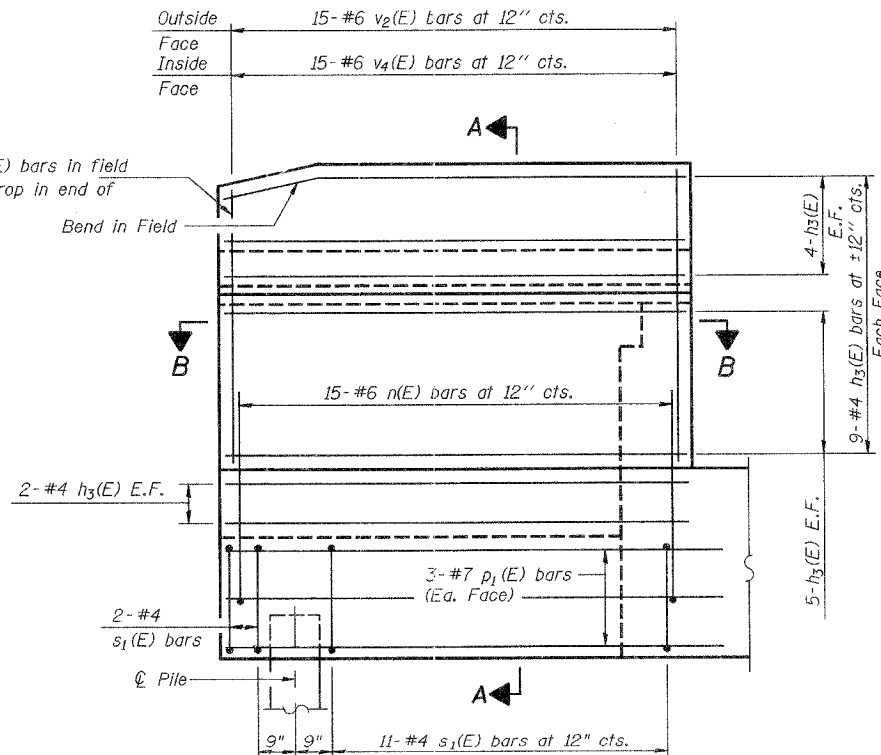


SEC. B-B



SOUTH WING WALL ELEVATION
Showing Dimensions

Cut $v_2(E)$ and $v_4(E)$ bars in field to accommodate drop in end of End Post.



SOUTH WING WALL ELEVATION
Showing Reinforcement

NOTES

Reinforcement bars designated (E) shall be epoxy coated.
Quantity of concrete in end post included with Concrete Superstructure.
Work this Sheet with Sheets 30 & 32 of 50.
All edges have $3/4$ " chamfer unless noted.
O.F. denotes Outside Face.
I.F. denotes Inside Face.
E.F. denotes Each Face.

Corporate License Number 184-001-084

WEST ABUTMENT DETAILS

WESTBOUND HARRISON AVENUE
OVER UP & CC&P RAILROAD
F.A.P. ROUTE 0525
SECTION 02-00518-00-BR
ROCKFORD, ILLINOIS
STATION 95+25.35
STRUCTURE NO. 101-6109

© Copyright Hanson Professional Services Inc. 2006



PROJ. NO.

03R1751

DATE

12/14/06

12:30:45 PM 12/12/2006 12:30 PM
C:\Users\joh037151\Documents\Struct\Sheet\West\BounaS-031-WB-West\abut2.dgn

LAYOUT	SMK	7/1/06
DRAWN	MDM/JJR	8/11/06
REVIEWED	JJK	8/11/06