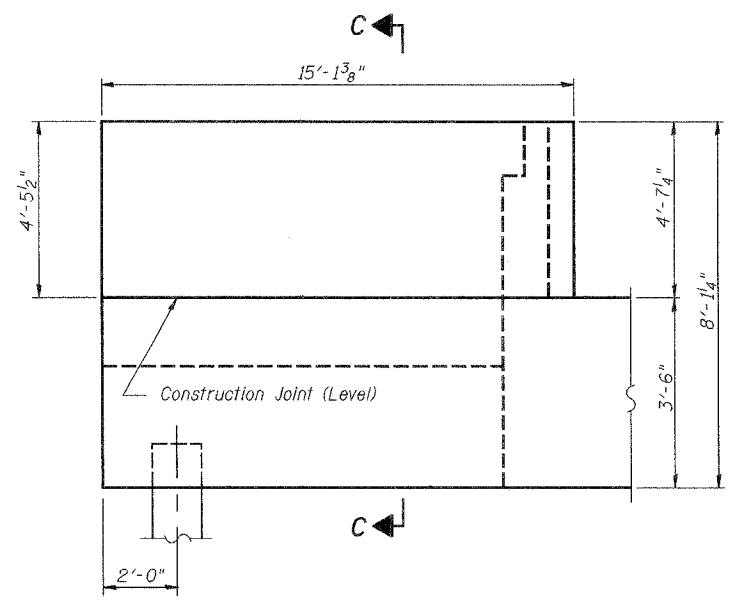
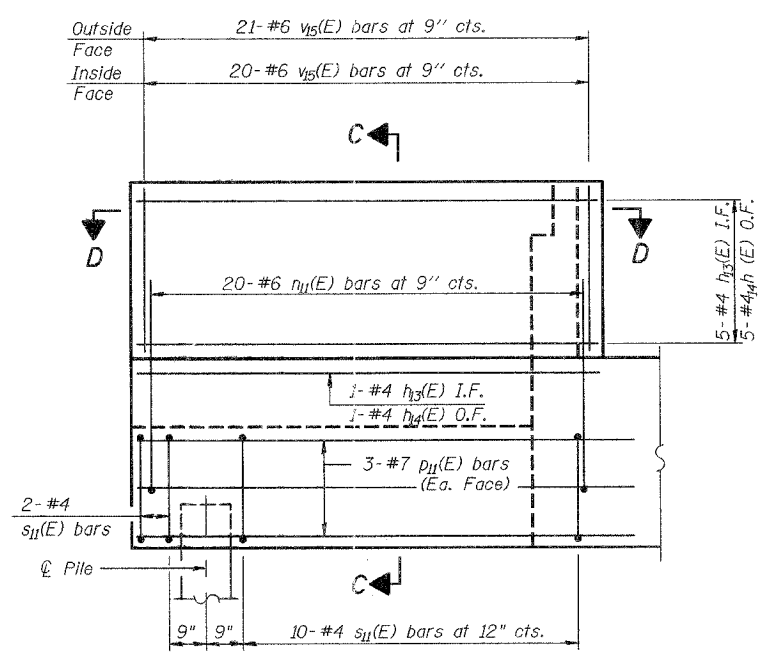


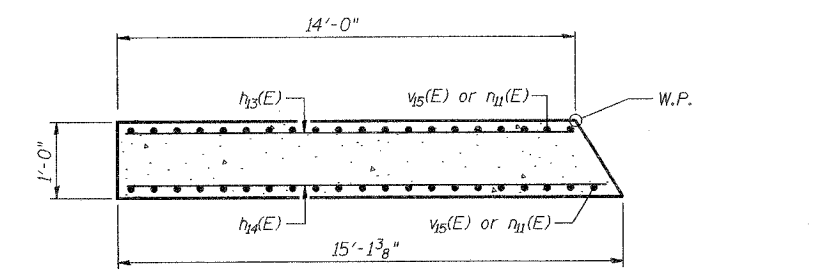
ROUTE NO.	SECTION	COUNTY	SHEET	SHEET	SHEET NO. 34 50 SHEETS
FAP 0525	*	WINNEBAGO	157	141	
FED. ROAD DIST. NO. 7		BILLINGS		FED. AID PROJECT	
* 02-00518-00-BR					



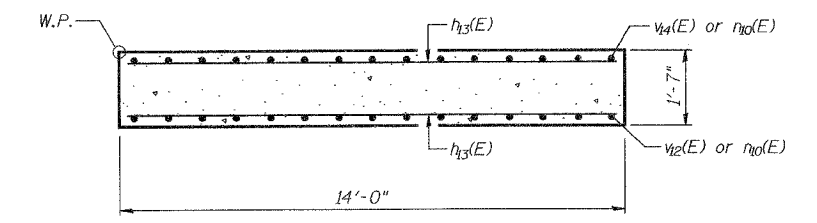
NORTH WING WALL ELEVATION
Showing Dimensions



NORTH WING WALL ELEVATION
Showing Reinforcement

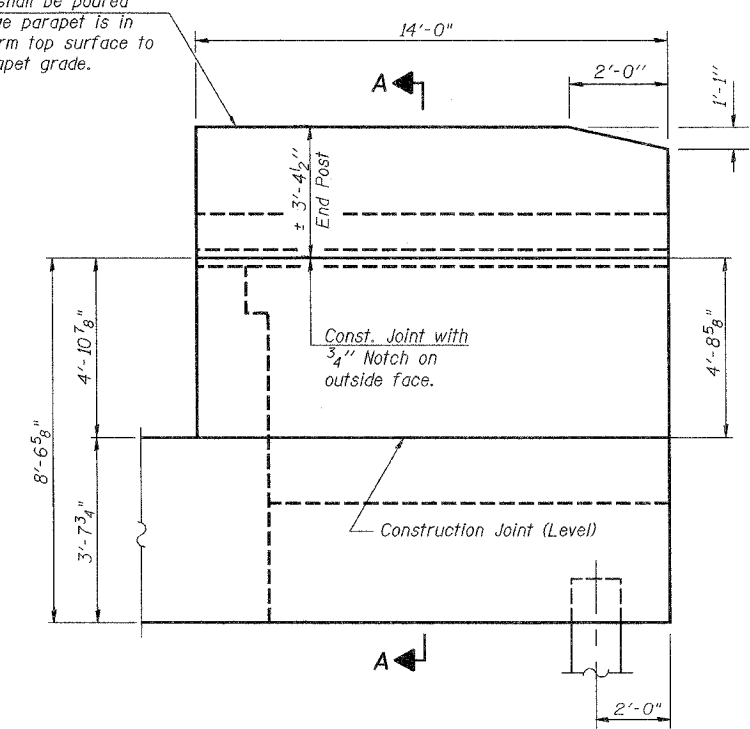


SEC. D-D

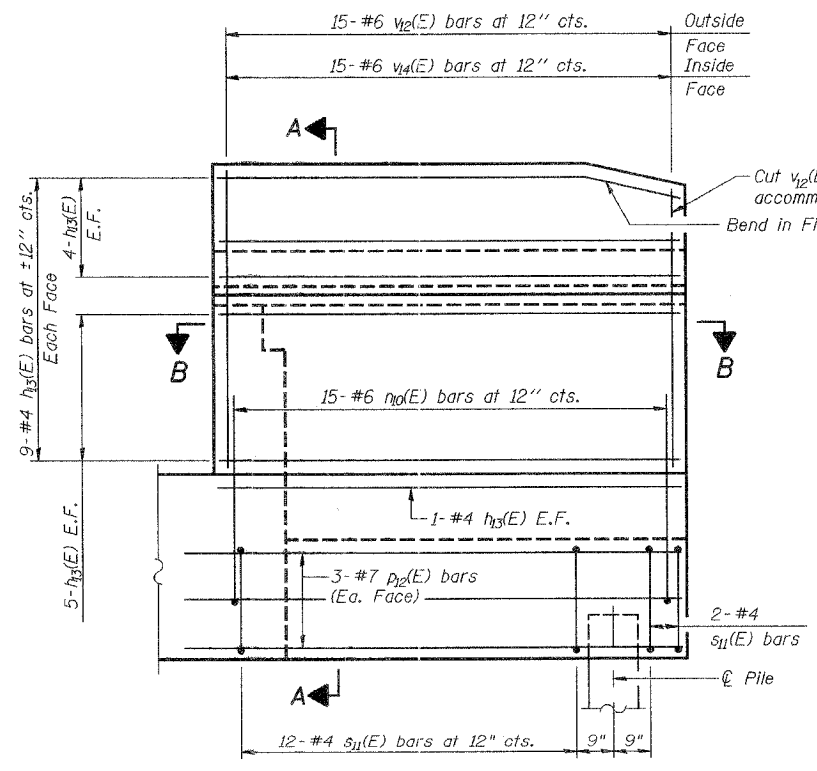


SEC. B-B

End Post shall be poured after bridge parapet is in place. Form top surface to match parapet grade.



SOUTH WING WALL ELEVATION
Showing Dimensions



SOUTH WING WALL ELEVATION
Showing Reinforcement

NOTES

Reinforcement bars designated (E) shall be epoxy coated. Quantity of concrete in end post included with Concrete Superstructure. Work this Sheet with Sheets 33 & 35 of 50. All edges have 3/4" chamfer unless noted. O.F. denotes Outside Face. I.F. denotes Inside Face. E.F. denotes Each Face.

Corporate License Number 184-001-084

EAST ABUTMENT
WESTBOUND HARRISON AVENUE
OVER UP & CC&P RAILROAD
F.A.P. ROUTE 0525
SECTION 02-00518-00-BR
ROCKFORD, ILLINOIS
STATION 95+25.35
STRUCTURE NO. 101-6109

© Copyright Hanson Professional Services Inc. 2006

HANSON

JOB NO. 03R1751
DATE 12/14/06

12/23/06 PM 12:23:06 12/22 PM 12/22/06 8/11/06
 R03:job03R1751/Struct/Sheet/West Abutment/03-HWB Ecast/AbutDef2.dgn
 LAYOUT: SMK 7/1/06
 DRAWN: MAM/JKR 8/11/06
 REVIEWED: JKR 8/11/06