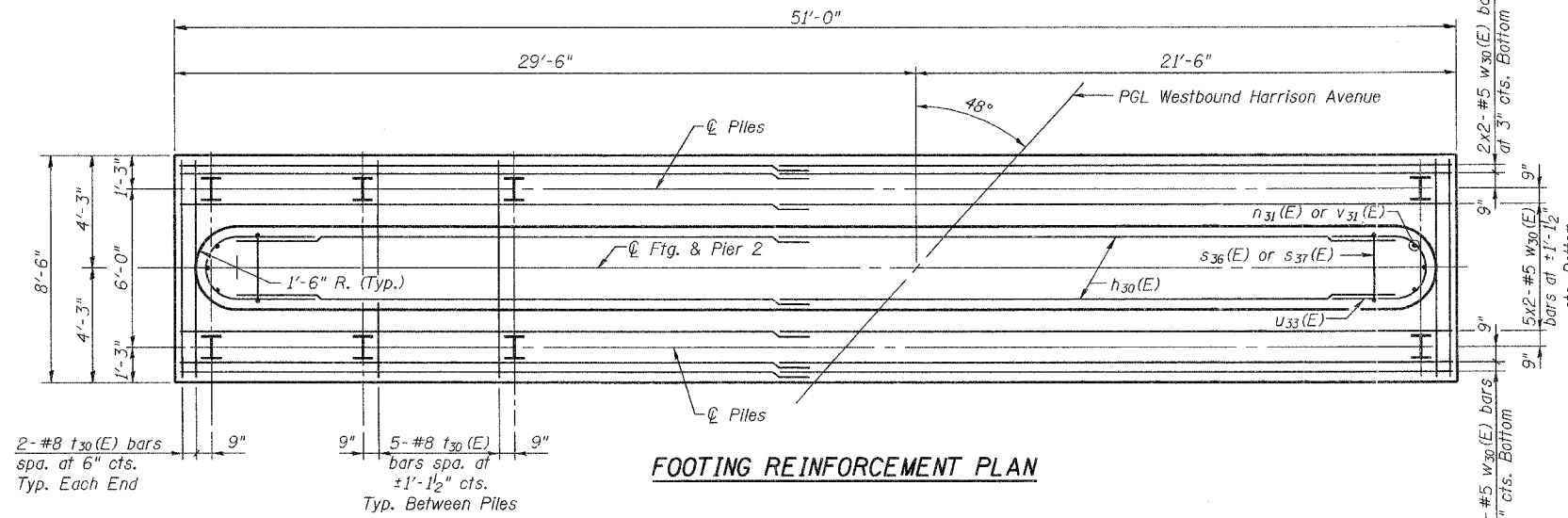
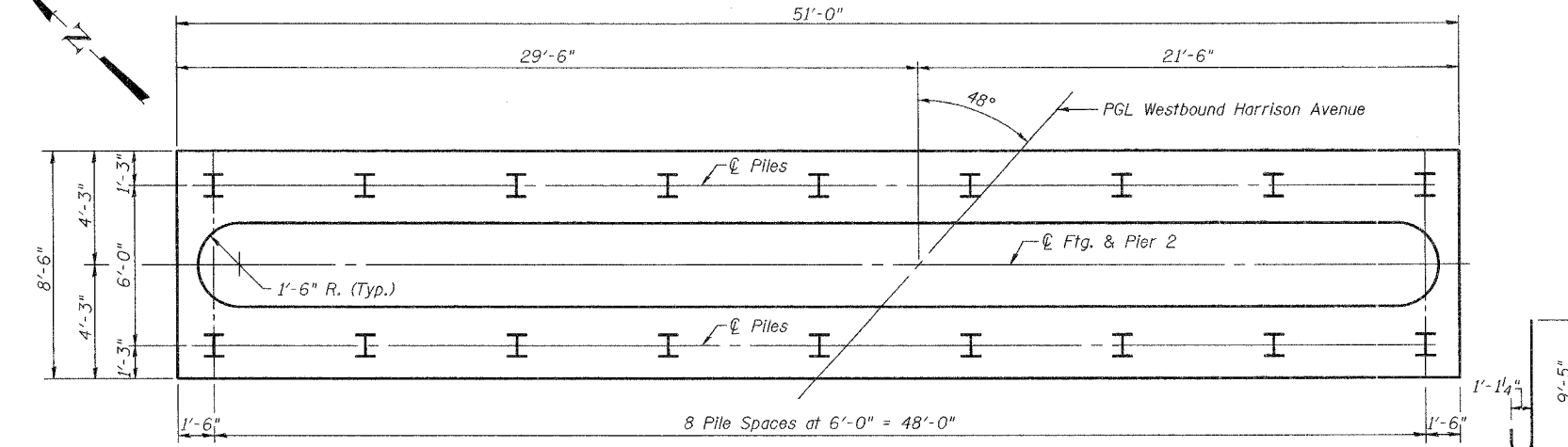


ROUTE NO.	SECTION	COUNTY	SHEET	SHEET NO.
FAP 0525		WINNEBAGO	157	146
FED. ROAD DIST. NO. 7				ILLINOIS FED. AID PROJECT
				• 02-00518-00-BR

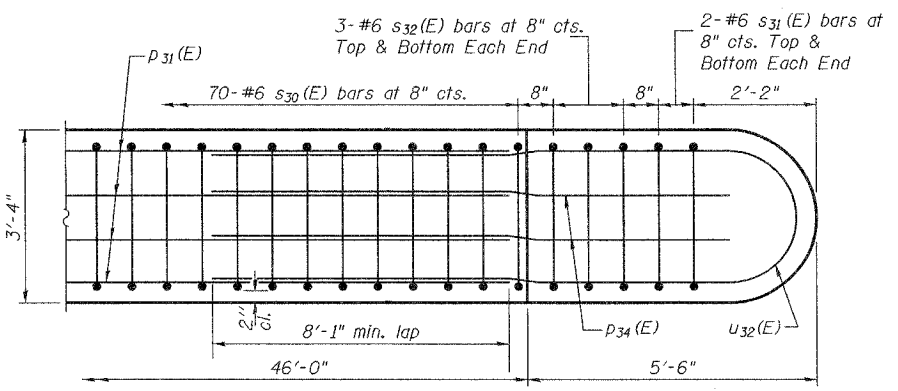


**FOOTING REINFORCEMENT PLAN**

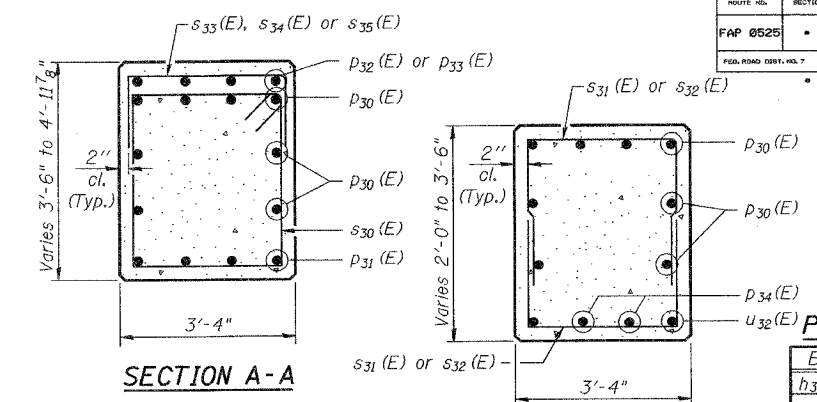


**FOOTING PILE PLAN**

**PILE DATA**  
 Type & Type: HP 12x53 w/ Pile Shoes  
 Nominal Required Bearing : 420 Kips  
 Allowable Resistance Available : 140 Kips  
 Est. Length: 19'  
 No. Req'd: 17 + 1 Test Pile

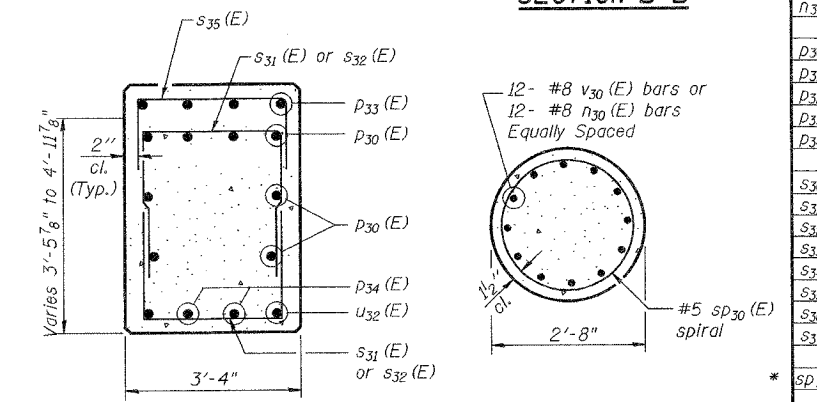


**DETAIL A  
REFLECTED UNDERSIDE PLAN OF PIER CAP END**



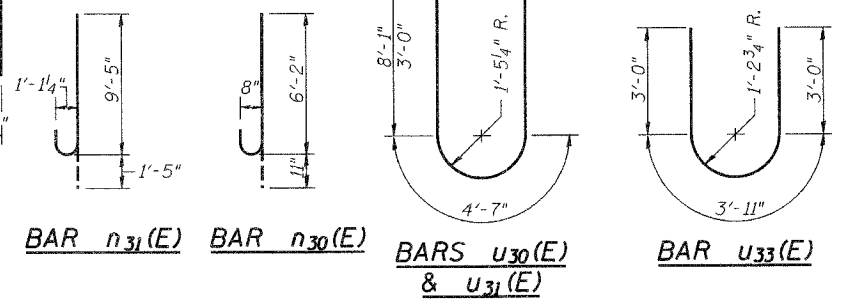
**SECTION A-A**

**SECTION B-B**

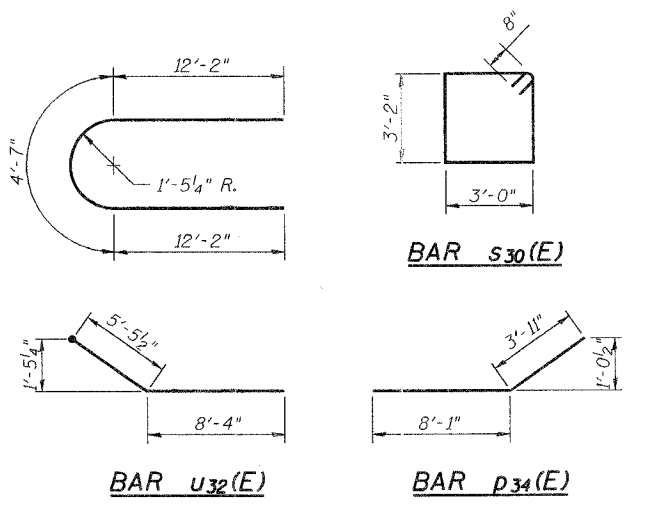


**SECTION C-C**

**SECTION D-D**



**BAR n31(E) BAR n30(E) BARS u30(E) & u31(E) BAR u33(E)**



**BAR u32(E) BAR p34(E)**

**MINIMUM BAR LAP**

**HORIZONTAL**  
 #5 - 2'-2" (Bottom of Footing)  
 #5 - 3'-0"  
 #9 - 8'-1"

**A & B DIMENSIONS**

Bar	A	B
s31(E)	3'-0"	2'-3"
s32(E)	3'-0"	2'-6"
s33(E)	3'-0"	2'-5"
s34(E)	3'-0"	2'-10"
s35(E)	3'-0"	3'-2"
s36(E)	2'-8"	6'-2"
s37(E)	2'-8"	9'-1"

**NOTES**

Work this sheet with Sheet 38 of 50.  
 Reinforcement Bars designated (E) shall be epoxy coated.  
 Bar indicated thus 1x2 - #5 etc. indicates 1 line of bar with 2 lengths per line.  
 \* Length is spiral height.

Corporate License Number 184-001-084

**PIER 2 DETAILS**

**WESTBOUND HARRISON AVENUE  
 OVER UP & CC&P RAILROAD  
 F.A.P. ROUTE 0525  
 SECTION 02-00518-00-BR  
 ROCKFORD, ILLINOIS  
 STATION 95+25.35  
 STRUCTURE NO. 101-6109**

© Copyright Hanson Professional Services Inc. 2006  
  
 JOB NO. 03R1751  
 DATE 12/14/06

12:45:30 PM 03/01/06  
 12/12/2006 12:45 PM  
 IN:03 Job:03R1751 Structure:Sheet:West Bound-C-039-WB-Pier-2Detail.dgn  
 LAYOUT JMR 03/01/06  
 DRAWN MDM/JMR 07/17/06  
 REVIEWED FLN 09/02/06