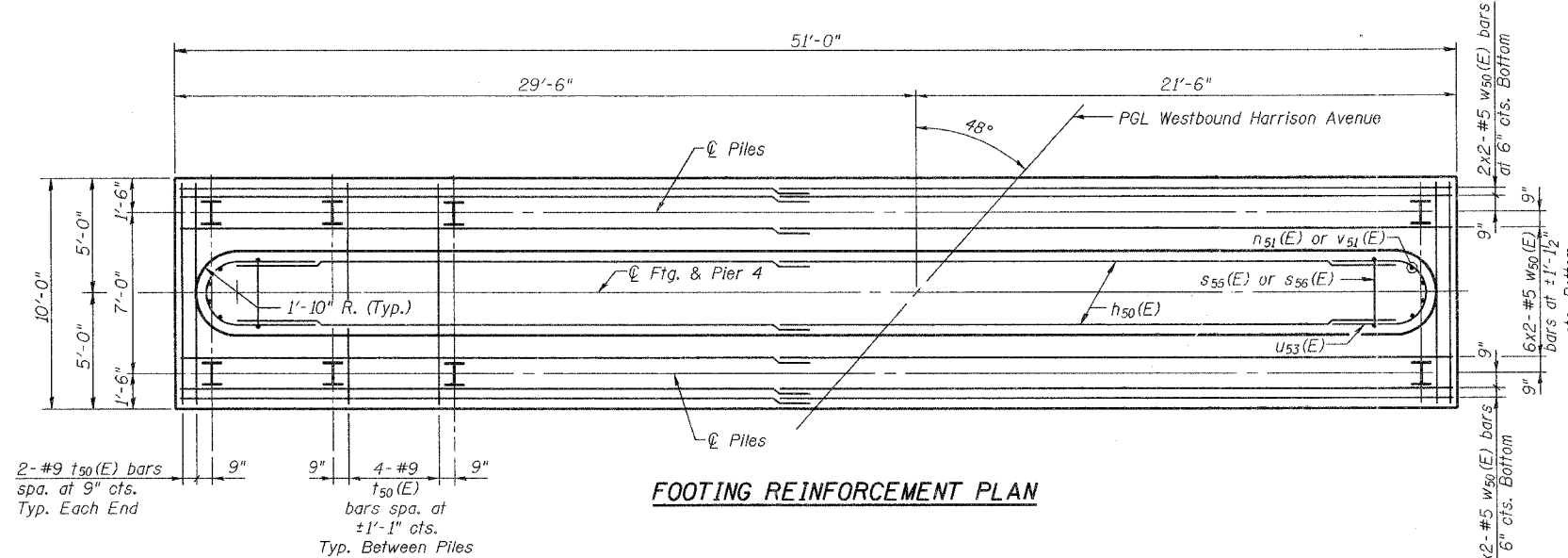
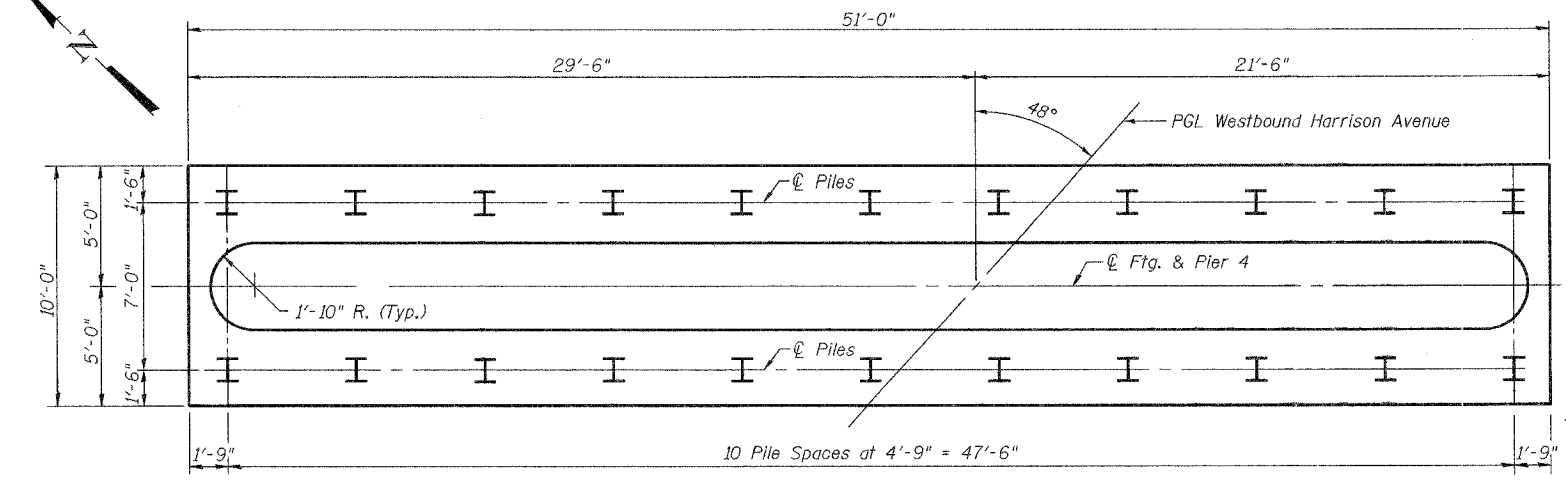


ROUTE NO.	SECTION	COUNTY	TOWNSHIP	SHEET NO.	SHEET NO. 43
FAP 0525		WINNEBAGO	157	150	50 SHEETS
FED. ROAD DIST. NO. 7		ILLINOIS		FED. AID PROJECT	
02-00518-00-BR					

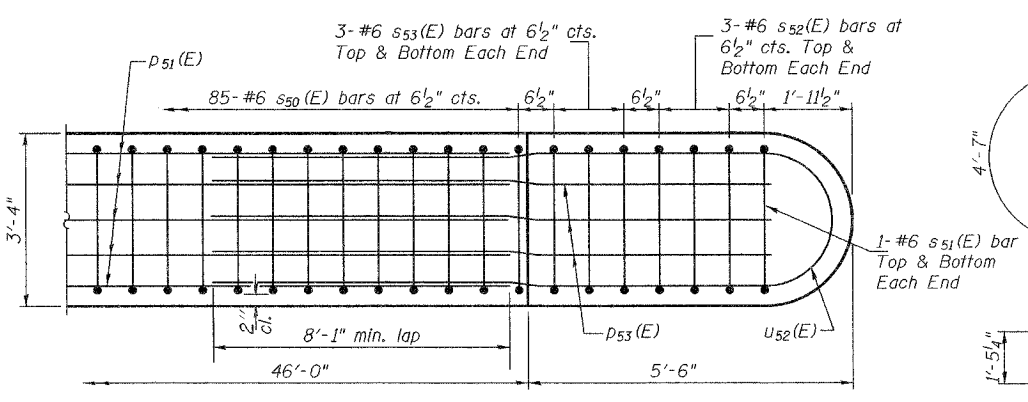


**FOOTING REINFORCEMENT PLAN**

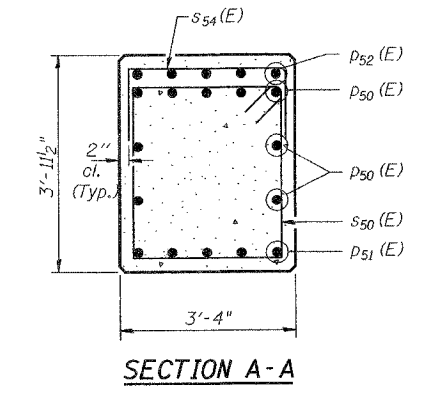


**FOOTING PILE PLAN**

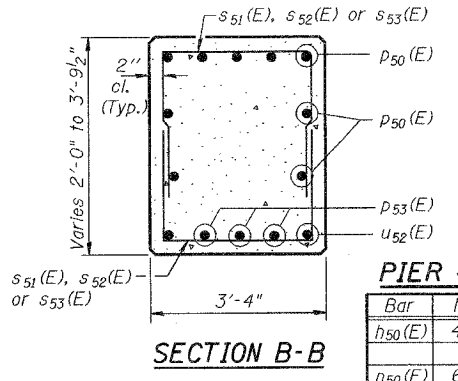
**PILE DATA**  
 Type & Size: HP 12x53 w/ Pile Shoes  
 Nominal Required Bearing : 420 Kips  
 Allowable Resistance Available : 140 Kips  
 Est. Length: 24'  
 No. Req'd: 21 + 1 Test Pile



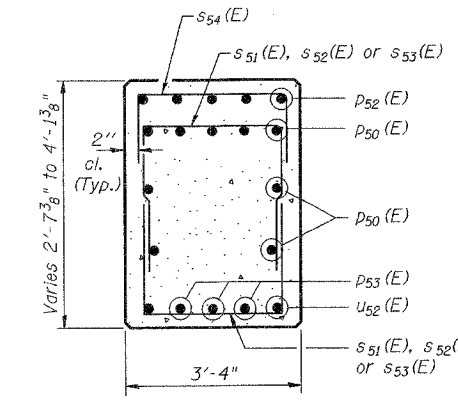
**DETAIL A  
REFLECTED UNDERSIDE PLAN OF PIER CAP END**



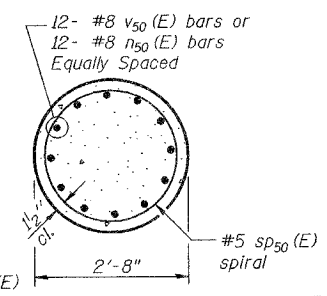
**SECTION A-A**



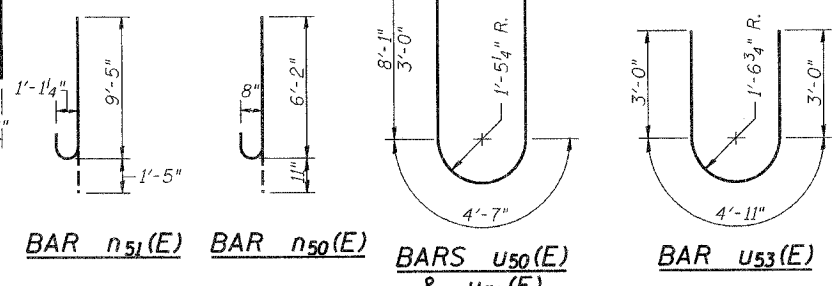
**SECTION B-B**



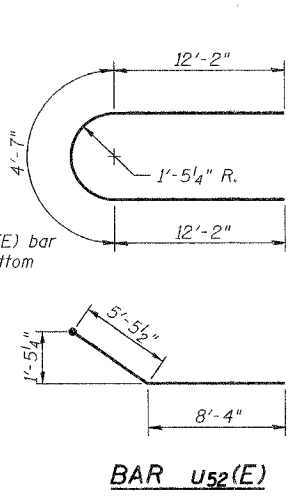
**SECTION C-C**



**SECTION D-D**



**BAR n51(E) BAR n50(E) BARS u50(E) & u51(E) BAR u53(E)**



**BAR u52(E) BAR p53(E)**

**MINIMUM BAR LAP**

**HORIZONTAL**  
 #5 - 2'-2" (Bottom of Footing)  
 #5 - 3'-0"  
 #9 - 8'-1"

**A & B DIMENSIONS**

Bar	A	B
s51(E)	3'-0"	2'-2"
s52(E)	3'-0"	2'-4"
s53(E)	3'-0"	2'-9"
s54(E)	3'-0"	2'-2"
s55(E)	3'-4"	13'-2"
s56(E)	3'-4"	10'-2"

**PIER 4 BILL OF MATERIAL**

Bar	No.	Size	Length	Shape
h50(E)	42	#5	23'-8"	—
n50(E)	60	#8	7'-1"	U
n51(E)	8	#10	10'-10"	U
p50(E)	18	#9	30'-11"	—
p51(E)	10	#9	27'-1"	—
p52(E)	5	#5	21'-2"	—
p53(E)	6	#9	12'-0"	—
s50(E)	85	#6	13'-8"	□
s51(E)	4	#6	7'-4"	□
s52(E)	12	#6	7'-8"	□
s53(E)	12	#6	8'-6"	□
s54(E)	22	#5	7'-4"	□
s55(E)	45	#10	29'-8"	□
s56(E)	45	#10	23'-8"	□
sp50(E)	5	#5	13'-8"	⋈
f50(E)	44	#9	9'-8"	—
u50(E)	4	#9	20'-9"	U
u51(E)	1	#5	10'-7"	U
u52(E)	2	#9	28'-11"	U
u53(E)	20	#5	10'-11"	U
v50(E)	60	#8	15'-6"	—
v51(E)	8	#10	13'-2"	—
w50(E)	20	#5	26'-5"	—
Concrete Structures	Cu. Yd.	182.7		
Reinforcement Bars, Epoxy Coated	Pound	25,870		
Structure Excavation	Cu. Yd.	438.4		
Furnishing Steel Piles, HP 12x53	Foot	504		
Driving Piles	Foot	504		
Pile Shoes	Each	22		
Test Pile Steel HP 12x53	Each	1		
Anchor Bolts, 1"	Each	20		

**NOTES**

Work this sheet with Sheet 42 of 50.  
 Reinforcement Bars designated (E) shall be epoxy coated.  
 Bar indicated thus 1x2 - #5 etc. indicates 1 line of bar with 2 lengths per line.  
 \* Length is spiral height.

Corporate License Number 184-001-084

**PIER 4 DETAILS**

**WESTBOUND HARRISON AVENUE  
 OVER UP & CC&P RAILROAD  
 F.A.P. ROUTE 0525  
 SECTION 02-00518-00-BR  
 ROCKFORD, ILLINOIS  
 STATION 95+25.35  
 STRUCTURE NO. 101-6109**

© Copyright Hanson Professional Services Inc. 2006



JOB NO.  
03R1751  
DATE  
12/14/06

12/03/20 PM 03/01/06 JKR  
 12/12/2006 12:03 PM 03/01/06 JKR  
 12/03/2006 12:03 PM 03/01/06 JKR  
 12/03/2006 12:03 PM 03/01/06 JKR