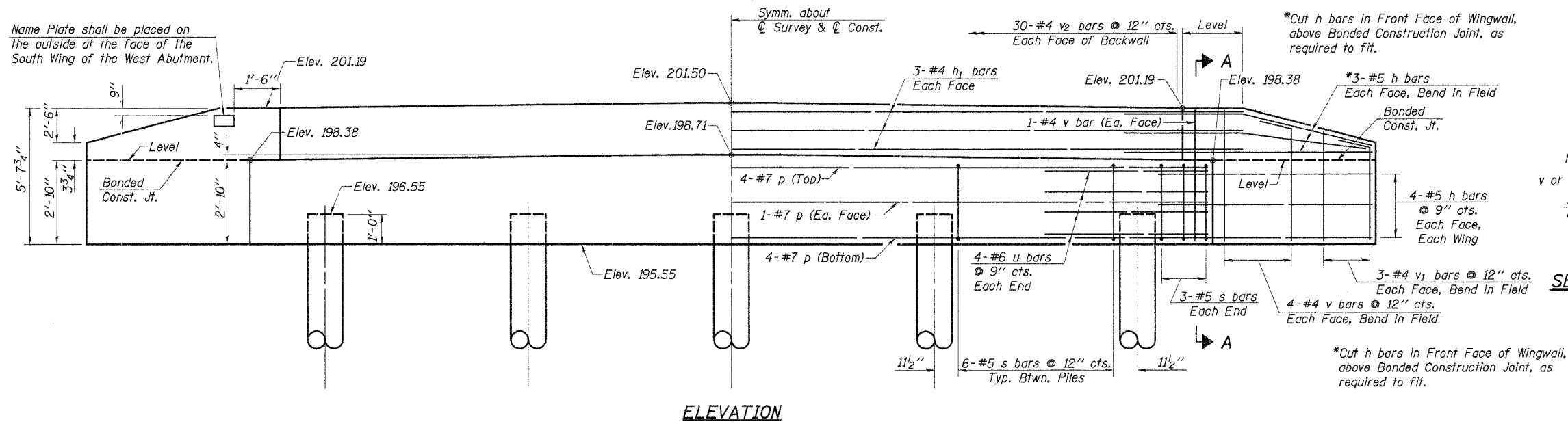


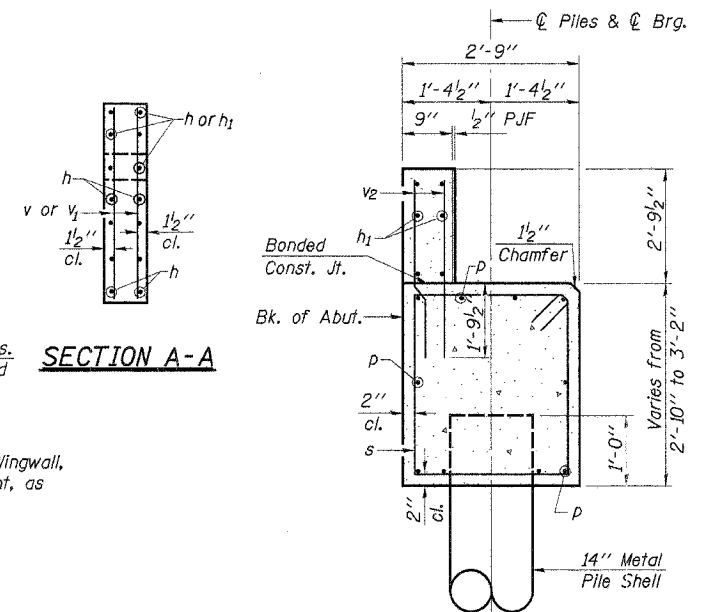
ROUTE NO.	SECTION	COUNTY	TOTAL SHEETS	SHEET NO.
T.R. 189	01-11127-00-BR	IROQUOIS	20	7
ROAD DIST.	ILLINOIS		DOUGLAS	

CONTRACT NO. 87287

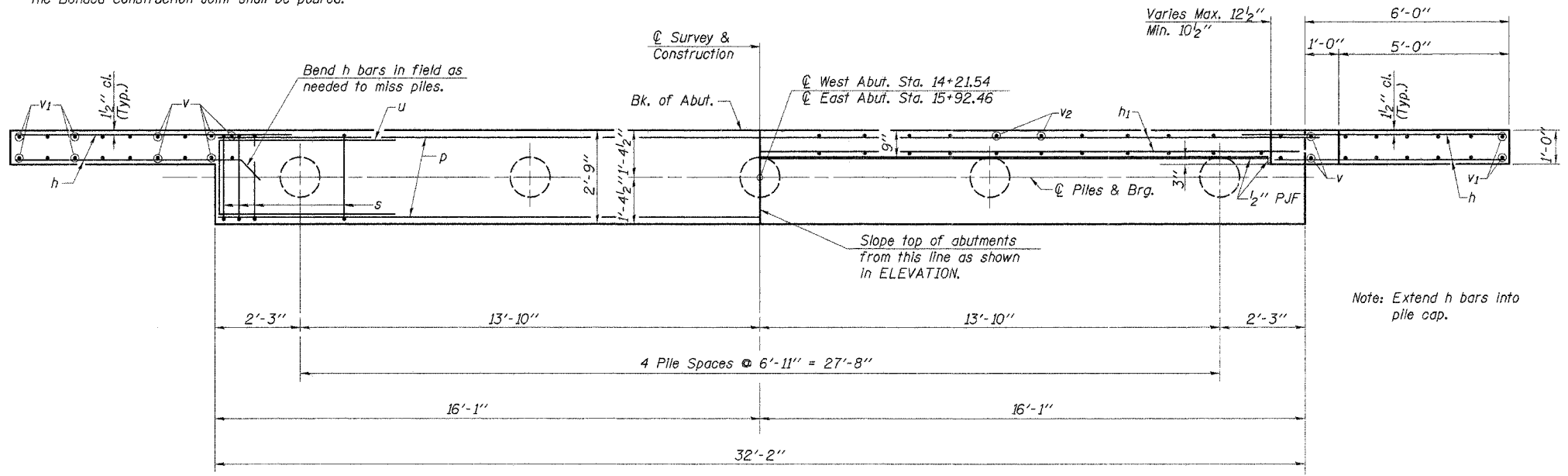


ELEVATION

Note: After beams are in place and dowel rods grouted, the backwall and the portions of the wingwalls above the Bonded Construction Joint shall be poured.



SECTION THRU ABUT.

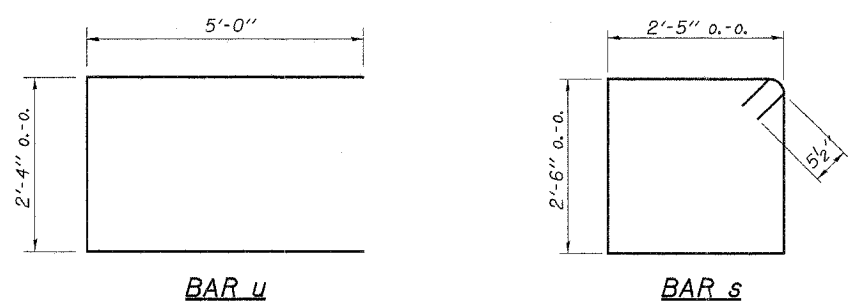


PLAN

**2 ABUTMENTS
BILL OF MATERIAL**

Bar	No.	Size	Length	Shape
h	56	#5	7'-6"	—
h1	12	#4	32'-0"	—
p	20	#7	31'-10"	—
s	60	#5	10'-9"	□
u	16	#6	12'-4"	—
v	40	#4	5'-3"	—
v1	24	#4	4'-3"	—
v2	120	#4	4'-5"	—
Concrete Structures		Cu. Yd.	28.6	
Reinforcement Bars		Pound	3530	
Name Plates		Each	1	
Test Pile Metal Shells		Each	2	
Metal Shell Piles 14"		Foot	536	

See Sheet 9 for Pile Details



PILE DATA

Type & Size..... Metal Shell - 14 in. Dia. x 0.250 in. walls
 No. Req'd. (2 Abuts.)..... *10
 Nominal Required Bearing..... 330 kips
 Allowable Resistance Available..... 110 kips
 Estimated Length..... 66 ft. (West Abut.)
 68 ft. (East Abut.)

*Includes 1 Test Pile to be driven in a permanent location at each abutment.
 The test piles shall be driven to 110 percent of the Nominal Required Bearing indicated above.

DESIGNED	SFM
CHECKED	FJS
DRAWN	SAP
CHECKED	SFM

**ABUTMENTS
SECTION 01-11127-00-BR
DOUGLAS ROAD DISTRICT
IROQUOIS COUNTY
STA. 15+07**